

DH-SD40/42/42C112I-HC

1Mp 720P Mini HDCVI PTZ Dome Camera



SD40112I-HC



SD42112I-HC



SD42C112I-HC

Features

- Powerful 12x optical zoom
- 25/30/50/60fps@720P
- DWDR, Day/Night (ICR), DNR (2D&3D), Auto iris, Auto focus, AWB, AGC, BLC
- Max 300°/s pan speed, 360° continuous pan rotation
- Control over coaxial cable, long distance real-time transmission
- HD and SD switchable
- Up to 255 presets, 5 auto scan, 8 tour, 5 pattern
- Built-in 2/1 alarm in/out
- Support intelligent 3D positioning with DH-SD protocol
- IP66(outdoor), IK10, OSD

DH-SD40/42/42C112I-HC

Technical Specifications:

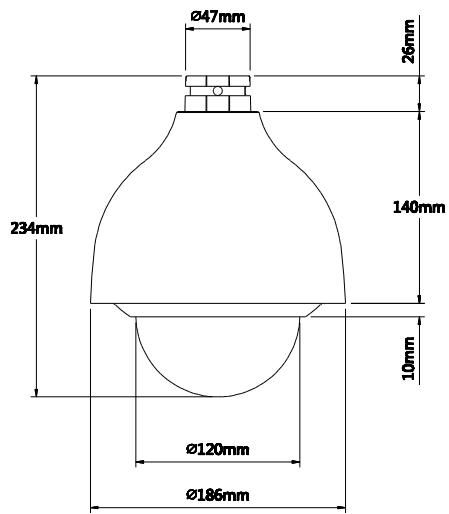
Model	DH-SD40112I-HC	DH-SD42112I-HC	DH-SD42C112I-HC
Camera			
Image Sensor	1/3" Exmor CMOS		
Effective Pixels	1280(H) x 960(V)		
Horizontal Resolution	≥700TVL		
Scanning System	Progressive		
Electronic Shutter Speed	1/1s ~1/30,000s		
Min. Illumination	Color: 0.05 Lux/F1.6, B/W: 0.005Lux/F1.6		
S/N Ratio	More than 55dB		
Resolution	25/30/50/60fps@720P		
Video Output	1-channel BNC HDCVI high definition video output/ CVBS standard definition video output (Can switch)		
Camera Features			
Day/Night	Auto(ICR) / Color / B/W		
Backlight Compensation	BLC / HLC / DWDR (Digital WDR)		
White Balance	Auto, ATW, Indoor, Outdoor, Manual		
Gain Control	Auto / Manual		
Noise Reduction	2D / 3D		
Privacy Masking	Up to 24 areas		
Digital Zoom	16x		
Lens			
Focal Length	5.1 mm~61.2mm (12x Optical zoom)		
Max Aperture	F1.6~ F3.0		
Focus Control	Auto / Manual		
Angle of View	H: 51.3° ~ 4.64°		
Close Focus Distance	100mm~1000mm		
PTZ			
Pan/Tilt Range	Pan: 0° ~ 360° endless; Tilt: -2° ~ 90°, auto flip 180°		
Manual Control Speed	Pan: 0.1° ~ 300°/s; Tilt: 0.1° ~120°/s		
Preset Speed	Pan: 300°/s; Tilt:200°/s		
Preset	80(DH-SD) , 255(Pelco-P/D)		
PTZ Mode	5 Pattern, 8 Tour, 5 Auto Scan, Auto Pan		
Speed Setup	Human-oriented focal length/ speed adaptation		
Power up Action	Auto restore to previous PTZ and lens status after power failure		
Idle Motion	Activate Preset/ Scan/ Tour/ Pattern if there is no command in the specified period		
Protocol	DH-SD, Pelco-P/D (Auto recognition)		
Audio			
Interface	1 channel In		
Auxiliary Interface			

DH-SD40/42/42C112I-HC

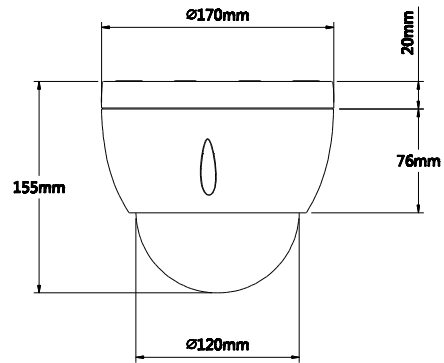
RS485	1		
Alarm	2/1 channel In/Out		
General			
Power Supply	AC24V/1.5A (±10%)		
Power Consumption	10W, 19W(Heater on)	10W	
Working Environment	-40°C ~ 60°C / Less than 90% RH	-10°C ~ 60°C / Less than 90% RH	
Ingress Protection	IP66	N/A	
Vandal Resistance	IK10		
Dimensions	Φ186mm×234mm	Φ170mm×155mm	Φ198mm×158mm
Weight	2.3Kg	1.8Kg	2.0Kg

DH-SD40/42/42C112I-HC

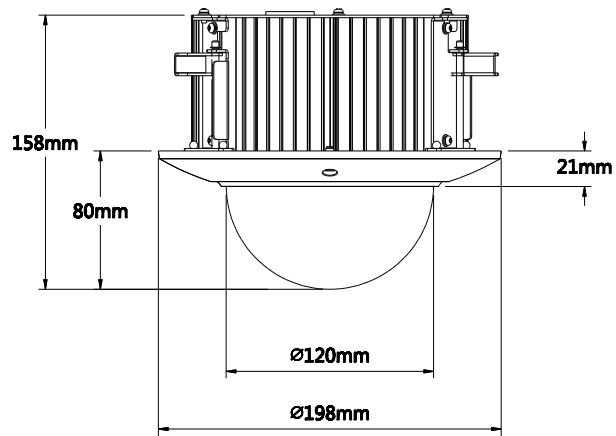
Dimensions (mm)



SD40112I-HC



SD42112I-HC



SD42C112I-HC

DH-SD40/42/42C112I-HC

Accessories

SD40112I-HC

		
DH-PFB300S	DH-PFA110	Power Supply

Accessories (Optional)

SD40112I-HC





		
DH-PFB300C	DH-PFA112	DH-PFA113

		
DH- PFA120	DH-PFA150	DH-PFA151

SD42112I-HC

DH-SD40/42/42C112I-HC

				
DH-PFA102	DH-PFB300S	PFB302S	DH-PFB300C	DH-PFA112

			
DH-PFA113	DH- PFA120	DH-PFA150	DH-PFA151

Dahua Technology Co., Ltd.

1187 BinAn Road, Binjiang District, Hangzhou, China

Tel: +86-571-87688883

Fax: +86-571-87688815

Email: overseas@dahuatech.com

www.dahuatech.com

*Design and specifications are subject to change without notice.

© 2014 Dahua Technology Co., Ltd.