

DH-IPC-A35

3MP A Series Wi-Fi Network PT Camera



- 1/3" 3Megapixel progressive CMOS
- H.264& MJPEG dual-stream encoding
- 20fps@3M(2304×1296)&25/30fps@1.3M (1280×960)
- 0°~355° Pan range, 90°Tilt range, 25 presets
- IR Distance 10m
- Easy4ip cloud support
- Wi-Fi Support
- Micro SD card slot, up to 128GB
- DC5V2A



System Overview

The IR Megapixel I Fixed A-Series PT camera delivers 3MP resolution. The camera's elegant blend of aesthetics combined with a range of easy mounting solutions provides an excellent choice for a variety of small Wi-Fi applications at an affordable price.

Protection

Supporting $\pm 10\%$ input voltage tolerance, this camera suits even the most unstable conditions for outdoor applications. Its 6KV lightning rating provides protection against the camera and its structure from the effects of lightning.

Interoperability

The camera conforms to the ONVIF (Open Network Video Interface Forum) specifications, ensuring interoperability between network video products regardless of manufacturer.

Functions

True Day/Night

A day/night mechanical IR cut filter makes this camera ideal for applications with fluctuating lighting conditions, delivering color images during the day and automatically switching to monochrome as the scene darkens.

Regions of interest

Regions of Interest (ROI) is a user defined feature that allows the operator to monitor specific areas of a scene while still maintaining overall situational awareness of less important areas.

Smart IR

With IR illumination, detailed images can be captured in low light or total darkness. The camera's Smart IR technology adjusts to the intensity of camera's infrared LEDs to compensate for the distance of an object. Smart IR technology prevents IR LEDs from whiting out images as they come closer to the camera. The camera's integrated infrared illumination provides high performance in extreme low-light environments up to 10m (33ft).

Image flip

Capturing unnecessary data such as surrounding hallway walls can increase storage requirements without any added value. The image flip feature allows the camera's image to be rotated in 90° increments for better video optimization.

Technical Specification

Camera

| | |
|----------------------|---------------------------------------|
| Image Sensor | 1/3" 3Megapixel progressive CMOS |
| Effective Pixels | 2304(H) x1536(V) |
| RAM/ROM | 256MB/16MB |
| Scanning System | Progressive |
| Minimum Illumination | 0.78Lux/F2.0(Color), 0Lux/F2.0(IR on) |
| S/N Ratio | More than 50dB |
| IR Distance | Distance up to 10m(33ft) |
| IR On/Off Control | Auto/ Manual |
| IR LEDs | 2 |

Lens

| | |
|----------------------|-------------|
| Lens Type | Fixed |
| Mount Type | Board-in |
| Focal Length | 3.6mm |
| Max. Aperture | F2.0 |
| Angle of View | H:77°;V:42° |
| Focus Control | Fixed |
| Close Focus Distance | N/A |

PTZ

| | |
|----------------|---|
| Pan/Tilt Range | Pan:0° ~355° ;Tilt:0° ~90° ;Rotation:0° ~355° |
|----------------|---|

Video

| | |
|----------------------|--|
| Compression | H.264/H.264B/H.264H/MJPEG |
| Streaming Capability | 2 Streams |
| Resolution | 3M(2048x1536)/3M(2304x1296)/1080P(1920x1080)/1.3M(1280x960)/720P(1280x720)/VGA(640 x480)/QVGA(320x240) |
| Frame Rate | 3MP(1~20fps)/2M(1~25/30fps) VGA/QVGA(1~25/30fps) |
| Bit Rate Control | CBR/VBR |
| Bit Rate | H264:32K ~ 10240Kbps |
| Day/Night | Auto(ICR) / Color / B/W |
| BLC Mode | BLC / HLC / DWDR |

| | |
|--------------------|---|
| White Balance | Auto/Natural/Street Lamp/Outdoor/Manual |
| Gain Control | Auto/Manual |
| Noise Reduction | 3D DNR |
| Motion Detetion | Off / On (4 Zone, Rectangle) |
| Region of Interest | Off / On (4 Zone) |
| Electronic Image | Support |
| Smart IR | Support |
| Digital Zoom | 16x |
| Flip | 0°/90°/180°/270° |
| Mirror | Off / On |
| Privacy Masking | Off / On (4 Area, Rectangle) |

Audio

| | |
|-------------|--------------------|
| Compression | G.711A;G.711Mu;AAC |
|-------------|--------------------|

Network

| | |
|---------------------|---|
| Ethernet | RJ-45 (10/100Base-T) |
| Wi-Fi | Wi-Fi(IEEE802.11b/g/n),50m(open field) |
| Protocol | HTTP;HTTPS;TCP;ARP;RTSP;RTP;UDP;SMTP;FTP;DHCP;DNS;DDNS;PPPOE;IPv4/v6;QoS;UPnP;NTP;Bonjour;802.1x;Multicast;ICMP;IGMP; |
| Interoperability | ONVIF, PSIA, CGI |
| Streaming Method | Unicast / Multicast |
| Max. User Access | 10 Users/20 Users |
| Edge Storage | NAS(Network Attached Storage),Local PC for instant recording, 128GB |
| Web Viewer | IE, Chrome, Firefox, Safari |
| Management Software | Smart PSS, DSS,Easy4ip |
| Smart Phone | iPhone, iPad, Android Phone |

Certifications

| | |
|----------------|--|
| Certifications | CE (EN 60950:2000) UL:UL60950-1 FCC: FCC Part 15 Subpart B |
|----------------|--|

Interface

| | |
|-----------------|------------------------|
| Video Interface | N/A |
| Audio Interface | Built-in Mic & Speaker |
| RS485 | N/A |
| Alarm | N/A |

Electrical

| | |
|-------------------|---------|
| Power Supply | DC5V 2A |
| Power Consumption | <8.5W |

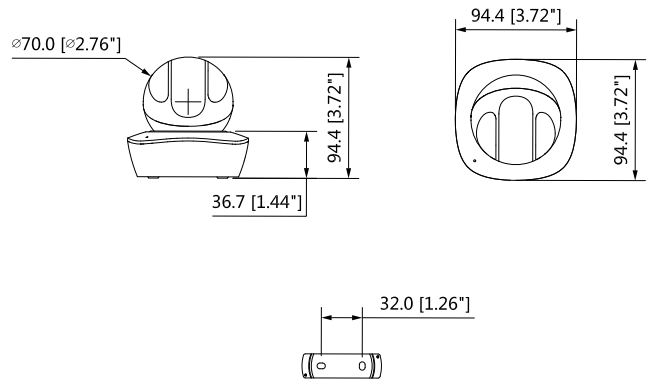
Environmental

| | |
|----------------------|--|
| Operating Conditions | -10°C ~ +45°C (14°F ~ +113°F) / Less than 95% RH |
| Storage Conditions | -10°C ~ +45°C (14°F ~ +113°F) / Less than 95% RH |
| Ingress Protection | N/A |
| Vandal Resistance | N/A |

Construction

| | |
|--------------|--|
| Casing | Plastic |
| Dimensions | 94.4mm x 94.4mm x 94.4mm(3.72" x3.72"x3.72") |
| Net Weight | 0.215Kg(0.47lb) |
| Gross Weight | 0.575Kg(1.27lb) |

Dimensions (mm/inch)



Ordering Information

| Type | Part Number | Description |
|------------|-------------|--|
| 3MP Camera | DH-IPC-A35P | 3MP A Series Wi-Fi Network PT Camera, PAL |
| | DH-IPC-A35N | 3MP A Series Wi-Fi Network PT Camera, NTSC |
| | IPC-A35P | 3MP A Series Wi-Fi Network PT Camera, PAL |
| | IPC-A35N | 3MP A Series Wi-Fi Network PT Camera, NTSC |