



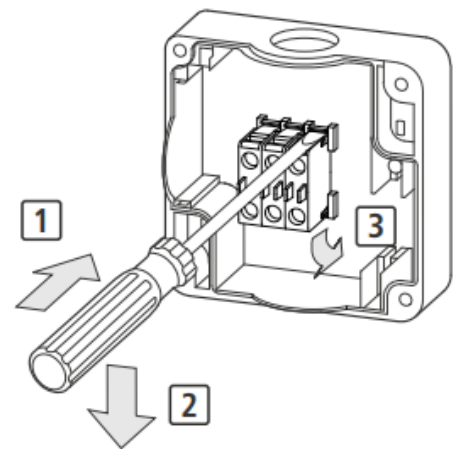
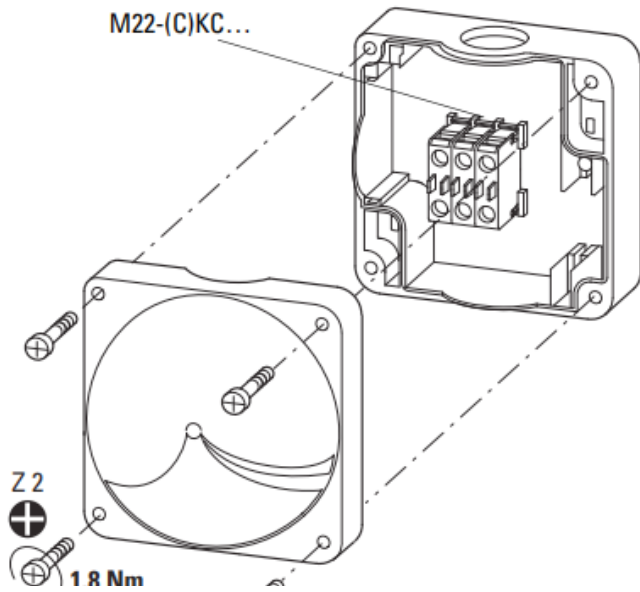
**M = 0.8 Nm (M = 7.08 lb-in)**

8 mm (0.31")

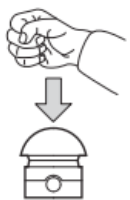


	2 x 0.75 - 1.5 mm <sup>2</sup>	2 x AWG18 - AWG16
	2 x 0.75 - 1.5 mm <sup>2</sup>	2 x AWG18 - AWG16
	2 x 0.75 - 1.5 mm <sup>2</sup>	2 x AWG18 - AWG16

→ 60/75 °C Cu wire only



**FAK-...**



**FAK-.../N/...**



**FAK-... + L-...**

