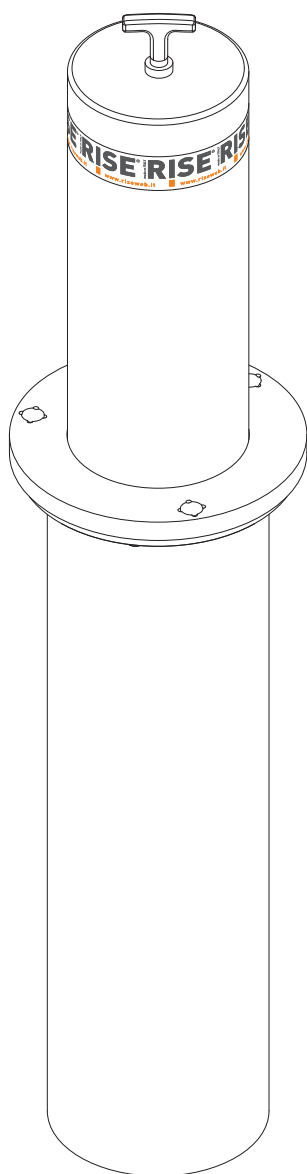


RISE

Rising
Bollards
Evolution

RANGER 500/I



Manuale di installazione
Installation manual
Installationsanleitung
Manuel d'installation
Manual de instalación

- I** Dissuasore di sosta e passaggio semiautomatico **Made in Italy**
- GB** Parking and passage semi-automatic rising bollard
- D** Poller gegen unrechtmäßiges Parken und Durchfahren
- F** Borne escamotable anti-stationnement et anti-accès
- E** Disuasor de tránsito de aparcamiento y de paso



We thank you for having chosen one of our RANGER model semi-automatic rising bollards. All articles in the Rise range are the fruit of long experience in the sector of mechanical and electronic automations. This is why today we are able to offer extremely innovative and reliable automatic rising bollards that, thanks to their performance, efficiency and durability, fully satisfy the final customer's requirements. All our products are covered by a two-year warranty. Furthermore, a product Civil Liability policy stipulated with a leading insurance company covers any damage to things or persons caused by manufacturing defects.

General information

The bollard RANGER 500 with its high resistance to impact and elegant design matches with any architectonic style. The standard version, manufactured in steel, is painted with electrophoresis painting, a corrosion-proof treatment that guarantees an extremely elevated resistance to the elements and to salty environments. The RANGER 500 is operated by means of a handle, it raises automatically thanks to a gas operated actuator. The bollard can be lowered by means of a handle and pushing it completely into its foundation case. The foundation case is manufactured in cataphoresis-painted steel and can easily be assembled on site before installation. If the bollard is not installed immediately, a cover for closing the hole is available.

TECHNICAL DATA

MODEL	RANGER 500
Lubrication	Permanent grease
Cylinder dimensions	Diameter 200x500 mm - thickness 8 mm
Foundation case dimensions	Diameter 330x772 mm
Impact resistance	11.000 J (without permanent deformation)
Breaking strength	180.000 J
Weight	75 kg
Finish	Black cataphoresis

How to use semi-automatic rising bollards

To raise the bollard (pict. 1):
 Insert the handle and turn it clockwise, the bollard will raise automatically. Remove the handle.
 To lower the bollard (pict.2):
 Insert the handle and turn it clockwise, then , push the bollard completely into its foundation case.
 Remove the handle
 P.S.: The gas operated actuator contained into the bollard could have a lower efficiency in cold places.

Fig.1

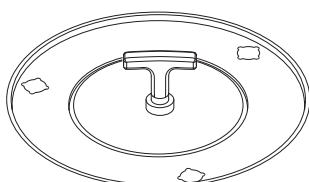
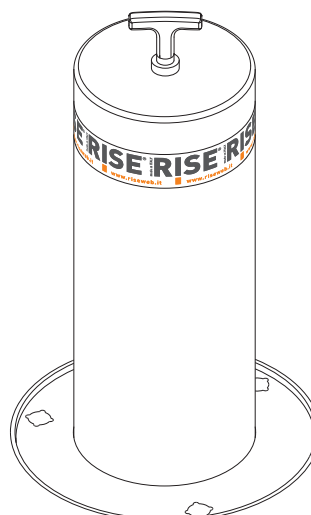
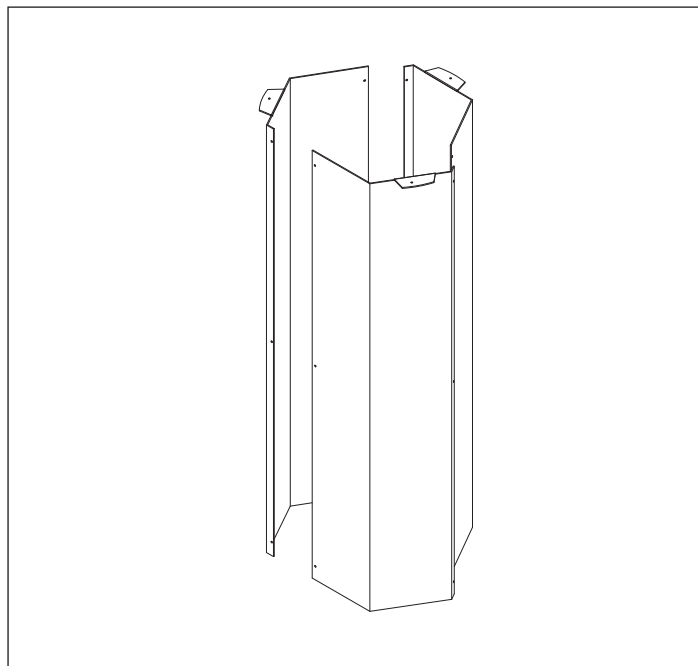


Fig.2



1 - Place the three side elements vertically as in the image alongside.

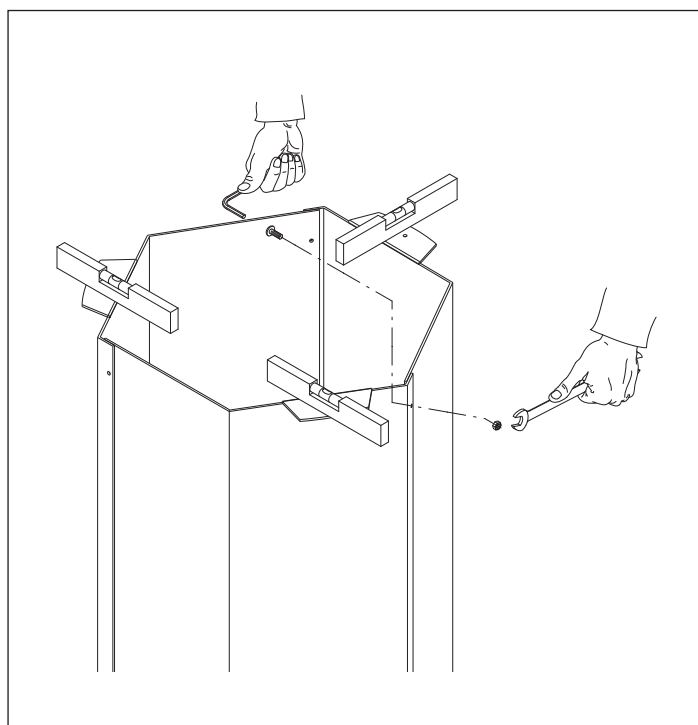


2 - Using the round head screws provided, assemble the hexagonal structure.

It is very important to assemble the three elements vertically and on a surface that ensures excellent flatness so as to obtain a reliable support surface for the closing flange.

Attention: The screw head must be placed on the internal side of the foundation case.

See figure alongside.

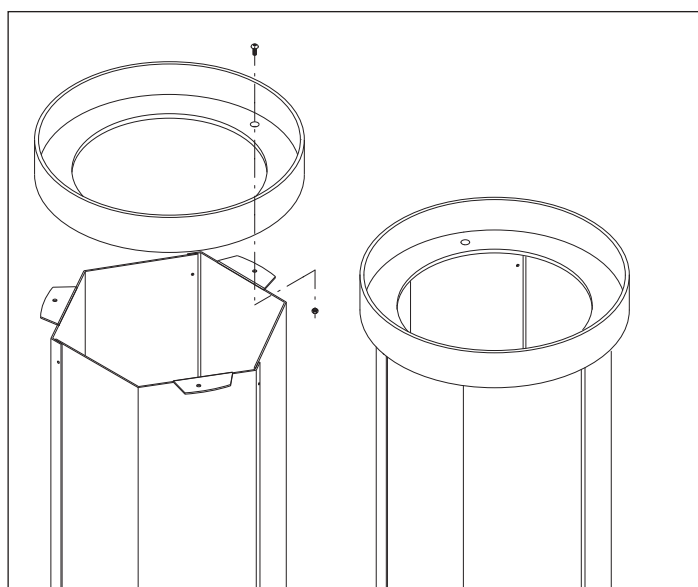


3 - Fix the upper flange using the round head screws provided.

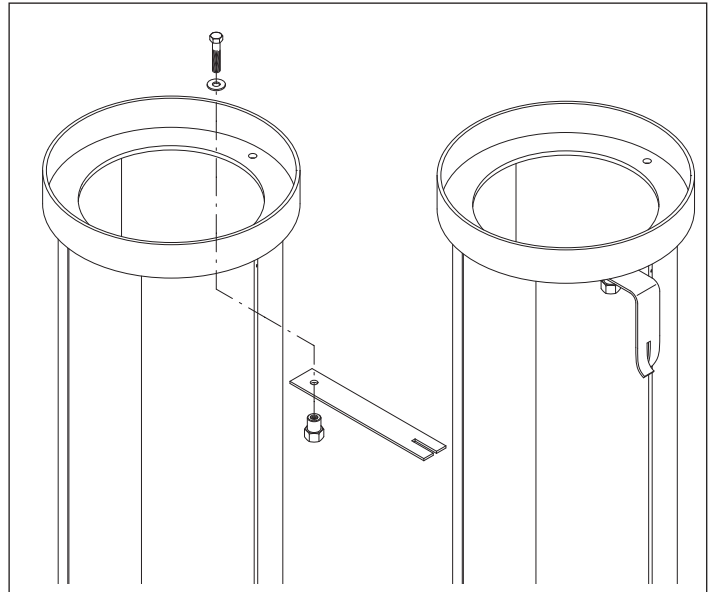
Attention: The screw heads must be placed on the upper part of the flange (inside the case).

This way the foundation case is complete.

See figure alongside.



4 - Fit the clamps as in the figure locking them in position with the washer and the M10 hexagonal head screw. Fold them according to the foundation.

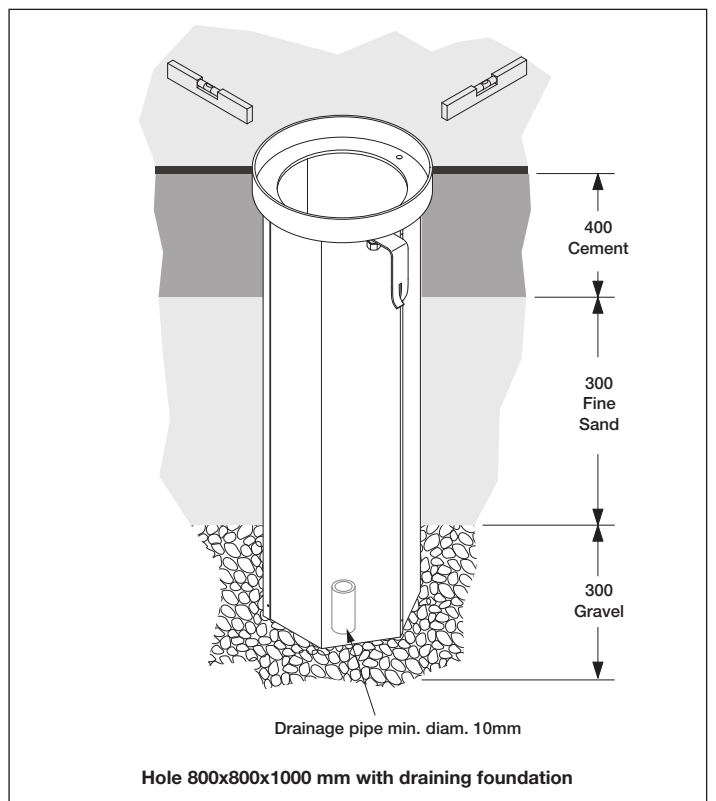


5 - Carry out the excavation in the ground with the measurements indicated in the image alongside and prepare a suitable draining foundation. Insert the foundation case in the excavation.

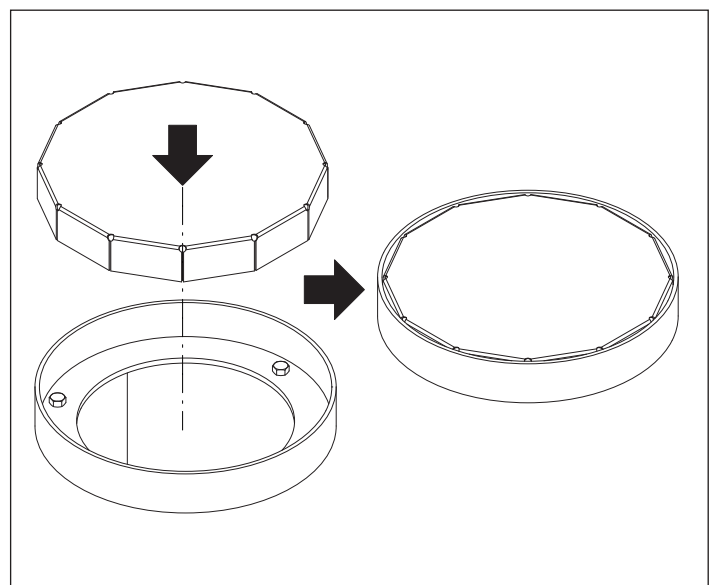
Attention: The case must rest on the bottom of the excavation and must be perfectly vertical - check this by placing a spirit level on the upper flange.

Attention: Make sure, during the cast, that the fixing plug you find under the cramp-iron is completely covered with concrete.

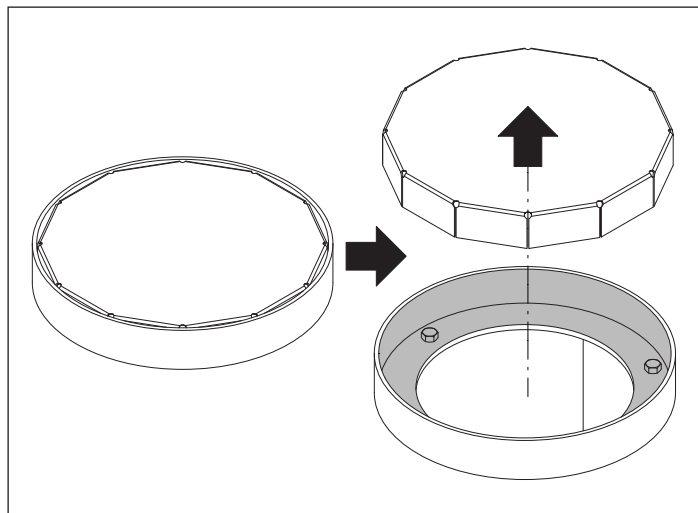
Using a spirit level, check if the flange plane is horizontal.



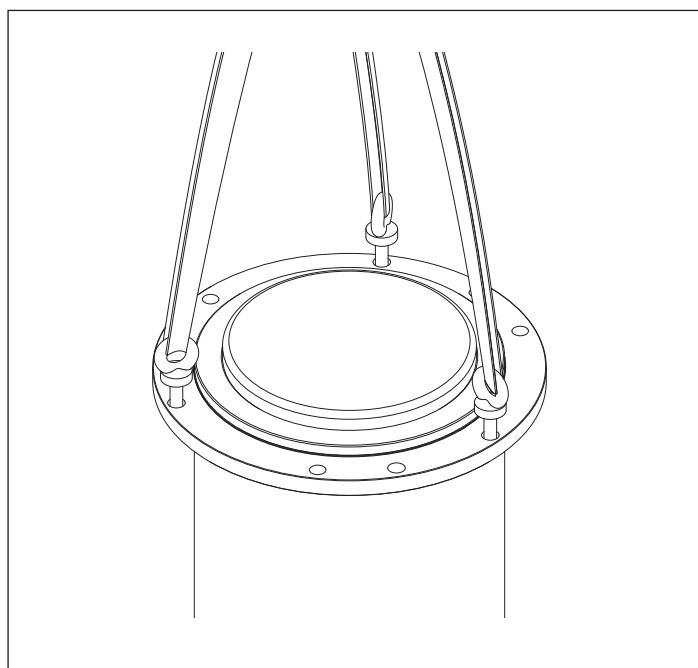
6 - After installing the foundation case, make sure you close the hole with an adequate plug until the time you install the bollard, in order to avoid accidents to people or things. See figures alongside.



7- Before installing the bollard, remove the plug and clean carefully the seat of the bollard, shown in the drawing with grey colour.



8- Use three eyebolts with M16 studs to lift the bollard. See figures alongside.

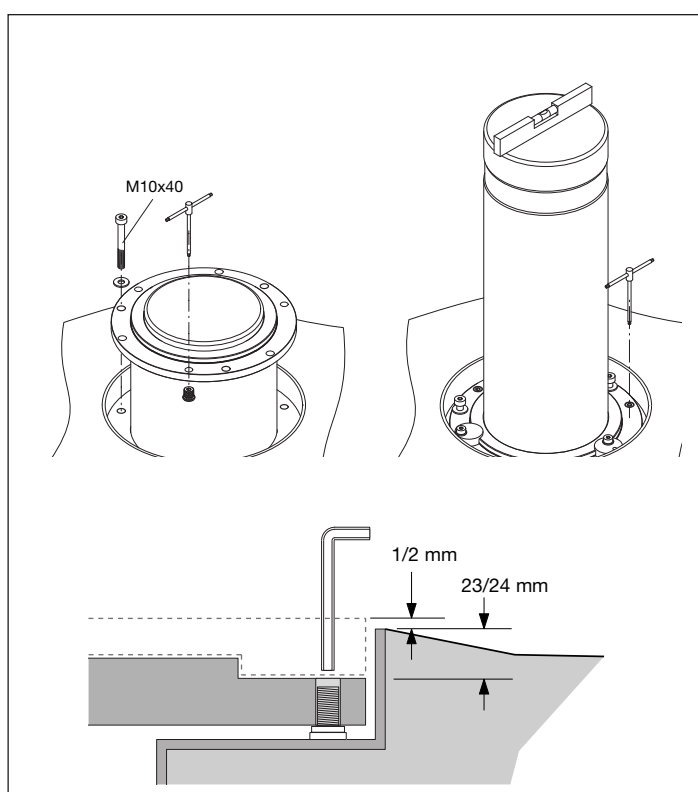


9 - After positioning the bollard inside the case, remove the lifting eyebolts.

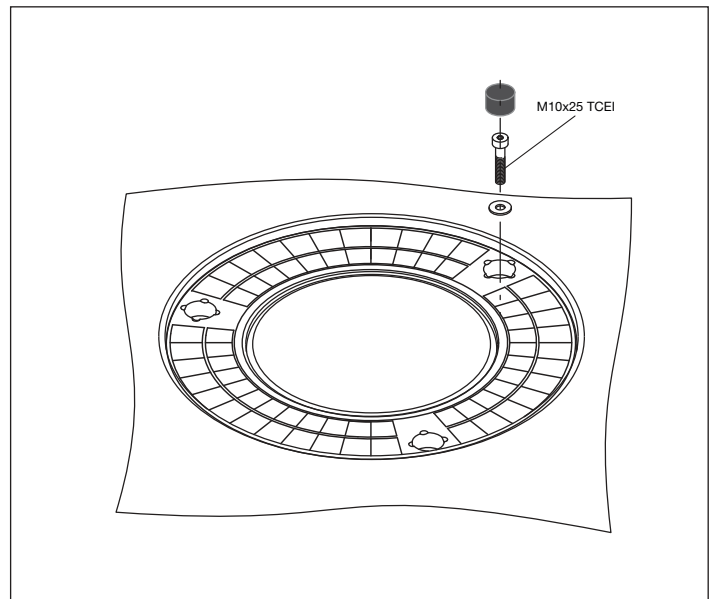
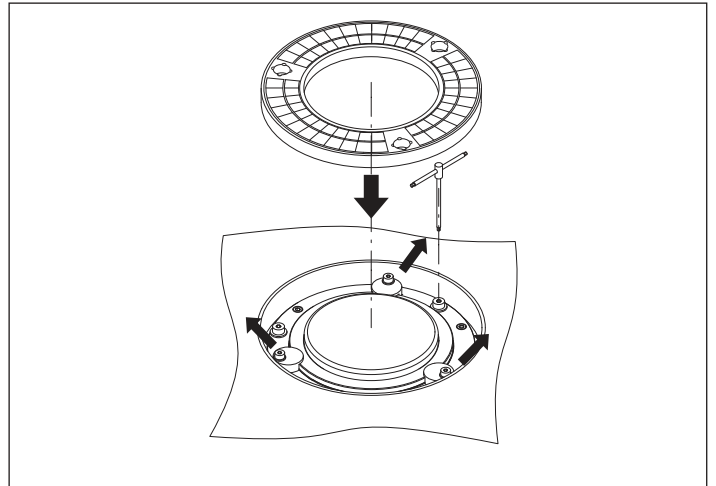
Using the dowels, adjust the level positioning of the bollard with respect to the floor, checking it with a spirit level.

Please check the distance between the flange and the ground level, it has to be 23/24mm. In this way the flange will remain at 1/2 mm from the ground level avoiding infiltration of dust/sand into the bollard seat.

See figures alongside.



10 - After lowering the bollard, remove the blocks on the guide ring and fix the flange. See figures alongside.



RISE


Rising
Bollards
Evolution

RISE S.r.l. - Via Capitello di Sopra, 42 - 36035 Marano Vicentino (VI) - Tel.: +39 0444 751401 - Fax: +39 0444 758049
www.riseweb.it - info@riseweb.it