



DoorBird
Technology meets Design.



Installation Manual (Pages 2-18)

IP I/O DOOR CONTROLLER

A1081 Series



Installationsanleitung (Seiten 19-35)

IP E/A TÜR CONTROLLER

A1081 Serie

INSTALLATION MANUAL

Read these instructions carefully before starting to use any components. Keep the manual so you can refer to it at a later date if required. If you hand over the device to other persons for use, please hand over the operating manual as well.

You can always find the most up-to-date version of the installation manual on www.doorbird.com/support

To make things easier we use the term “device” for the product “IP I/O Door Controller” and “mobile device” for a smartphone or tablet.

Liability

Every care has been taken in the preparation of this document. Please inform Bird Home Automation GmbH of any inaccuracies or omissions. Bird Home Automation GmbH cannot be held responsible for any technical or typographical errors and reserves the right to make changes to the product and manuals without prior notice. Bird Home Automation GmbH makes no warranty of any kind with regard to the content of this document, including, but not limited to, the implied warranties of merchantability and fitness for a particular purpose. Bird Home Automation GmbH shall neither be liable nor responsible for incidental or consequential damages in connection with the furnishing, performance or use of this material. This product is only to be used for its intended purpose.

Equipment Modifications

This equipment must be installed and used in strict accordance with the instructions given in the user documentation. This equipment contains no components that require service by the user. Unauthorized equipment changes or modifications will invalidate all applicable regulatory certifications and approvals.

Symbols used



Danger: Indicates a hazardous situation which, if not avoided, will result in death or serious injury.



Warning: Indicates a hazardous situation which, if not avoided, could result in death or serious injury.



Caution: Indicates a hazardous situation which, if not avoided, could result in minor or moderate injury.



Notice: Indicates a situation which, if not avoided, could result in damage to property.



Important: Indicates significant information which is essential for the product to function correctly.



Note: Indicates useful information which helps in getting the most out of the product.

Hazard information



WARNING

- Mounting, installation and servicing work on electrical devices may only be performed by a qualified electrician. Failure to observe this regulation could result in the risk of serious damage to health or fatal injury due to electric shocks.
- Devices with 110-240 V connection: The device may only be connected to an easily accessible power socket outlet. The mains adapter must be pulled out if a hazard occurs.
- For power supply, only use the original plug-in mains adapter delivered with the device or a recommended PoE-Switch/PoE-Injector as specified in this manual.
- Because of electrostatic charging, direct contact with the circuit board can result in destruction of the device. Direct contact with the circuit board must therefore be avoided at any time.
- Observe the EN 60065 resp. EN 60950 resp. EN 62368 standard.
- Do not use the device if there are signs of damage to the housing, control elements or connecting sockets, for example, or if it demonstrates a malfunction. If you have any doubts, please have the device checked by an authorized expert.
- Do not open the device. This voids the warranty of the device. The device does not contain any parts that can be maintained by the user. In the event of an error, please have the device checked by an authorized expert.



WARNING

- For safety, approval and licensing reasons (CE/FCC/IC etc.), unauthorized change and/or modification of the device is not permitted.
- The device is not a toy; do not allow children to play with it. Do not leave packaging material lying around. Plastic films/bags, pieces of polystyrene, etc. can be dangerous in the hands of a child.
- Always lay cables in such a way that they do not become a risk to people and domestic animals.
- Voltage is applied to parts within the equipment. Do not touch any parts that are not associated with the installation, wiring, or connection. Electric shock could result.
- On devices which are not marked as weather-proof: Keep the device away from water or any other liquid.
- Do not install or make any wire terminations while power supply is plugged in. It can cause electric shock or damage to the device.
- Before turning on power, make sure wires are not crossed or shorted. If not, fire or electric shock could result.
- High voltage may be present internally. Do not open the device. Electric shock could result.
- The device is not of explosion-proof. Do not install or use near gases or flammable materials. Fire or explosion could result.
- Do not install two power supplies in parallel to a single input. Fire or damage to the device could result. Be sure to connect a single power supply to the device.
- Do not connect any terminal on the device to an AC power line. Fire or electric shock could result.
- Keep AC cord from being marred or crushed. If the AC cord is fractured, fire or electric shock could result.
- Do not plug or unplug with wet hands. Electric shock could result.

- Do not put any metal or flammable material into the device. Fire, electric shock, or device trouble could result.
- Existing wiring such as chime wiring, etc. may contain high voltage AC electricity. Damage to the device or electric shock could result. Wiring and installation must be done by a qualified electrician.
- When mounting the device on a wall or ceiling, install the device in a convenient location, but not where it could be jarred or bumped. Injury could result.
- On devices with ground terminals, connect to an earth ground. Otherwise fire or malfunction could result.
- On devices with plastic or real glass, do not put high pressure on the glass. If fractured, injury could result.
- On devices with LCD, if LCD is punctured, do not allow contact with the liquid crystal inside. Injury could result. If necessary, gargle your mouth and clean your eyes or skin with clear water for at least 15 minutes and consult your doctor.
- Do not put anything on the device or cover the device with cloth, silicone, glue, coating, separate covering etc. Fire or device issues could result.
- Do not install the device in any of the following locations. Fire, electric shock, or device trouble could result.
 - Places under direct sunlight or places near heating equipment that varies in temperature.
 - Places subject to dust, oil, chemicals, hydrogen sulfide (hot spring).
 - Places subject to moisture and humidity extremes, such as bathrooms, cellars, greenhouses, etc.
 - Places where the temperature is very low, such as inside a refrigerated area or in front of an air conditioner.
 - Places subject to steam or smoke (e.g. near heating or cooking surfaces).
 - Where noise generating devices such as dimmer switches or inverter electrical appliances are closeby.
 - Locations subject to frequent vibration or impact.



WARNING

- On devices with intercom, be sure to perform a call test with low audio volume on both intercom devices. A sudden call etc. may arrive causing for example damage to your ear.
- If the device does not operate properly, unplug the power supply.
- All devices which are not marked as weather-proof are designed for indoor use only. Do not use outdoor.
- On devices which are marked weather-proof: Do not spray with high-pressure water. Device issues could result.
- We do not assume any liability for damage to property or personal injury caused by improper use or the failure to observe the hazard information. In such cases, any claim under warranty ceases. For consequential damages, we assume no liability!

Safety instructions



- The device shall be used in compliance with local laws and regulations.
- Store the device in a dry and ventilated environment.
- Avoid exposing the device to shocks or heavy pressure.
- Do not install the device on unstable brackets, surfaces or walls. Make sure the material is strong enough to support the weight of the device.
- Use only applicable tools when installing the device. Using excessive force with tools could cause damage to the device.
- Do not use chemicals, caustic agents, or aerosol cleaners.
- Use a clean dry cloth for cleaning.
- Use only accessories that comply with technical specification of the device. These can be provided by Bird Home Automation GmbH.
- Use only spare parts provided by or recommended by Bird Home Automation GmbH.
- Do not attempt to repair the device by yourself. Contact Bird Home Automation GmbH for service matters.

- Keep the device more than 1 m (3.3') away from microwave, radio, TV, wireless router and any other wireless devices.
- On devices with intercom or built-in speaker or built-in microphone or signal transmission functions, keep the wires more than 30 cm (12") away from AC 100-240 V wiring. AC induced noise and/or device malfunction could result.
- Install the device in an area that will be accessible for future inspections, repairs and maintenance.
- If the device is used close to a cellular phone, the device may malfunction.
- The device can be damaged if dropped. Handle with care.
- The device turns inoperative during power failure.
- On devices with intercom or built-in speaker or built-in microphone, in areas where cellular or Radio / TV broadcasting station antennas are closeby, the device may be affected by radio frequency interference.
- On devices with LCD screen, it must be noted in advance that the LCD panel, though manufactured with very high precision techniques, inevitably will have a very small portion of its picture elements always lit or not lit at all. This is not considered a device malfunction.
- On devices with intercom, due to the environmental sound around the device, it may hinder smooth communication, but this is not a malfunction.
- On devices with Username/Password, the Username/Password to access the device is the customer's responsibility. Make sure to use password that cannot be easily guessed by a third party. We recommend that you change the Password on a regular basis.
- We will, under no circumstances, be liable for damage that occurs due to failures in power supply, network equipment or terminal devices; failures due to Internet providers and cellular network providers; failures such as disconnected lines and other losses in communication, which makes it impossible to provide this service as well as in any way delay this service due to any other causes outside of our responsibility; or if an error or missing data occurs during transmission.

Transportation



When transporting the device, use the original packaging or equivalent to prevent damage to the device.

Warranty Information

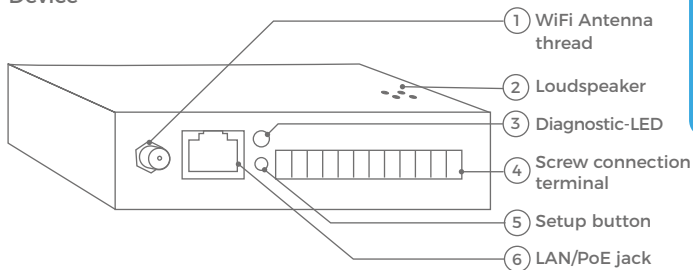
For information about the device warranty, see www.doorbird.com/warranty

COMPONENTS

Package Contents

- 1x Device
- 1x Power supply unit (mains adaptor) with four country-specific adaptors
- 1x RJ45 network cable (300 cm)
- 2x Phillips countersunk head screws
- 2x Dowels
- 1x Installation manual
- 1x Drilling template
- 1x DIN-Rail adapter
- 1x 2,4 GHz Antenna
- 1x Quickstart guide with Digital Passport

Device



- 1) WiFi Antenna thread
Antenna thread to connect the 2.4 GHz WiFi Antenna supplied with the device.
- 2) Loudspeaker
Loudspeaker for Diagnostic-Sounds.
- 3) Diagnostic-LED
Diagnostic LED to visualize the current status of the device.
- 4) Screw connection terminal
Screw connection terminal to connect external devices such as electric door openers and power to the device.
- 5) Setup button
Setup button (SET) of the device, to e.g. configure the WiFi interface of the device using the DoorBird App.
- 6) LAN/PoE jack
RJ45 jack to connect a standard Network cable Cat.5 or better, coming from the Internet Router/PoE-Switch/PoE-Injector.

VIDEOS

Need help with the installation? Be sure to watch our installation videos which can be found on <http://www.doorbird.com/support>

Each individual step of the installation is clearly documented in the videos.

INSTALLATION

All the steps below should be carried out carefully by a competent adult, taking into consideration any applicable safety regulations. Should you have any questions, please contact us or a competent specialist directly. Please ensure that all wires used for the installation are undamaged along their entire length and approved for this type of use.

Network speed and network components

Please ensure that the upload speed of your Internet connection is at least 0.5 Mbps. You can also carry out a speed test at any time via the DoorBird App. The user experience is only as good as your network speed, network stability and quality of your network components, such as your Internet Router and WiFi access points or WiFi repeaters. Please also make sure that your network components are no older than two years old, have been manufactured by a well-known manufacturer, and have the latest firmware installed. Should these requirements not be fulfilled, it may occur, for example that the performance of audio and video is poor or push notifications are delayed or do not arrive on your smartphone or tablet at all.

High-speed Internet (via landline): DSL, cable or optical fibre
Network: 802.11b/g/n 2.4 GHz or Ethernet, with DHCP

STEP 1: SWITCHING OFF POWER



Switch off the power to all wires leading to the assembly location, i.e. the door chime, electric door opener, power supply unit for the video door station etc..

STEP 2: DETERMINING THE ASSEMBLY LOCATION



The device is IP50 certified (not water-proof). Please make sure to put the device into an appropriate housing if you want to use it outdoors.

The network cable between the device and the PoE-Switch/PoE-Injector/ Internet Router can have a maximum length of 80 meters/262 feet.

You can mount the device permanently on a wall or ceiling. If you do not want to mount it permanently, please skip the rest of this step.

Press the drilling template of the device against the wall or ceiling at the desired installation site and mark the boreholes with a pencil. Remove the drilling template again.



Ensure that no cables are to be found in the wall or ceiling behind the boreholes.

If the wall of the house is not made of wood, you should drill dowel holes 5 mm in diameter in the wall according to the drilling template and then place the dowels provided into the boreholes. If the wall of the house is made of wood, you will usually not require any dowels. There are special dowels for assembling the device on an insulating wall, e.g. Fischer insulating dowels. Please check with your insulating material manufacturer regarding which dowels they recommend.

Use the Phillips countersunk head screws provided to position it in the dowels or on the wall, so that the countersunk head screws protrude a few millimeters above the wall.

STEP 3: WIFI ANTENNA

The device has a built-in 2.4 GHz WiFi interface, to connect it wirelessly to your Internet Router. Please assemble the WiFi antenna supplied with the device to the WiFi antenna thread of the device. The WiFi interface of the device is automatically inactive if you use a network cable to connect the device to your PoE-Switch/PoE-Injector/Internet Router.

STEP 4: POWER SUPPLY OPTIONS

The device can be powered using the power-supply unit (mains adaptor) supplied with it (Option 1) or via PoE (Power over Ethernet) using a network cable (Option 2). The device can be alternatively also be supplied with power using a DIN-rail power supply unit that you can obtain directly from us. The device does not use battery power.

Option 1: Power supply using the power-supply unit (mains adaptor)

The power supply unit (mains adaptor) supplied with the device has a 300 cm long cable with two insulated wires.



Do not plug the power supply unit into the wall socket yet. Only use the power supply unit provided along with the device, or a DIN-rail power supply unit that you can obtain from us separately, since this has been specially stabilized electrically and is equipped with an integrated audio interference reduction device. Other power supply units may destroy the device or cause poor transmission quality. The warranty expires automatically if you use a different power supply unit.

Option 2: Power supply via PoE

To power the device via a PoE-Switch (e.g. D-Link DGS-1008P) or PoE-Injector (e.g. DoorBird Gigabit PoE Injector) in accordance with the PoE standard IEEE 802.3af Mode A, the four wires bearing the numbers 1, 2, 3 and 6 of a Cat.5 cable or better are to be used. A Cat.5 cable or better must be used as network signals can only be transmitted over completely insulated, shielded and twisted cables. If you use PoE as a source of power, the WiFi interface of the device is automatically inactive, and the four wires for PoE then simultaneously form the data link. The device won't start if your PoE-Switch/PoE-Injector does not support the PoE Standard IEEE 802.3af Mode A (see Diagnostic-LED and Diagnostic-Sounds).



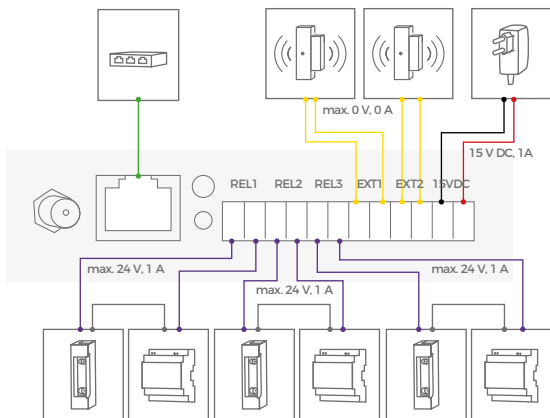
1. Disconnect the PoE-Switch or PoE-Injector from the power grid.
2. Run the network cable to the installation location of the device.


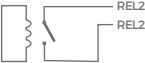

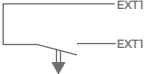
You can find further information about PoE here: <http://www.doorbird.com/poe>

STEP 5: CONNECTING THE DEVICE

It is possible to connect the cables and wires to the device conveniently and safely via labelled connection ports. You can connect all necessary cables and wires to the device now. Please remove any cables and wires from the connection ports of the device that you do not need.

Remove about 5 mm of insulation material at the end of the wires that you would like to connect to the green screw connection terminal of the device.



PORT	DESCRIPTION
LAN/POE	<p>RJ45 jack to connect a standard Network cable Cat.5 or better, coming from the Internet Router/PoE-Switch/PoE-Injector.</p> <p>NOTICE Do not power the device simultaneously via the power supply from the power supply unit (mains adaptor) and the power supply via PoE.</p>
REL1, REL1 	<p>Bi-stable latching relay #1, max. 1-24 V DC/V AC, 1 Ampere. Security feature: The relay keeps its state even in the case of loss of power. You can configure the default state of the relay (open/close) via the DoorBird App. These ports can be used to connect e.g. an electric door opener. The device does not supply power to the connected device. The power supply for the electric door opener must be installed separately.</p>
REL2, REL2 	<p>Bi-stable latching relay #2, max. 1-24 V DC/V AC, 1 Ampere. Security feature: The relay keeps its state even in the case of loss of power. You can configure the default state of the relay (open/close) via the DoorBird App. These ports can be used to connect e.g. an electric door opener. The device does not supply power to the connected device. The power supply for the electric door opener must be installed separately.</p>
REL3, REL3 	<p>Bi-stable latching relay #3, max. 1-24 V DC/V AC, 1 Ampere. Security feature: The relay keeps its state even in the case of loss of power. You can configure the default state of the relay (open/close) via the DoorBird App. These ports can be used to connect e.g. an electric door opener. The device does not supply power to the connected device. The power supply for the electric door opener must be installed separately.</p>
EXT1, EXT1  <p>NOTICE Please make sure to add no extra voltage on these ports.</p>	<p>First Dry-contact (potential-free), max. 0 V DC/V AC, 0 Ampere. These ports can be used to connect e.g. an external sensor, e.g. door sensor or motion sensor. You can configure the event to be triggered by these ports using the DoorBird App.</p> <p>NOTICE Please make sure to add no extra voltage on these ports.</p>

EXT2, EXT2



Second Dry-contact (potential-free), max. 0 V DC/V AC, 0 Ampere. These ports can be used to connect e.g. an external sensor, e.g. door sensor or motion sensor. You can configure the event to be triggered by these ports using the DoorBird App.



Please make sure to add no extra voltage on these ports.

15 VDC -

15 VDC Power supply input, negative pole (-). Please connect the black wire of the power supply unit (mains adaptor) supplied with the device here, if you do not power the device using PoE.



Do not power the device simultaneously via the power supply from the power supply unit (mains adaptor) and the power supply via PoE.

15 VDC +

15 V DC Power supply input, positive pole (+). Please connect the red wire of the power supply unit (mains adaptor) supplied with the device here, if you do not power the device using PoE.



Do not power the device simultaneously via the power supply from the power supply unit (mains adaptor) and the power supply via PoE.



Please take care when connecting the cables and wires. Connecting the cables and wires the wrong way may damage the device.


STEP 6: FINAL ASSEMBLY

Mount the device on the Phillips countersunk head screws you already positioned in step 2, if you want to mount the device permanently on a wall or ceiling.

STEP 7: ACTIVATING THE DEVICE

Switch on the power leading to the assembly location.

If you use the the power supply unit (mains adaptor) to power the device, plug it into into a wall socket. If you use PoE to power the device, make sure to switch on power of the PoE-Switch / PoE-Injector that you have connected the device to.

 Do not power the device simultaneously via the power supply from the power supply unit (mains adaptor) and the power supply via PoE.

You can see if the device receives power by checking the Diagnostic-LED, which lights up about 30 to 60 seconds after the device gets connected to power. The device is ready for operation (booting up process, any software updates, etc.) once it has emitted a short diagnosis sound from the integrated loudspeaker. This may last for up to 5 minutes. Should you not hear a sound, please check the power supply. When using a wall-plug power supply and not PoE please check whether you have connected the positive pole and negative pole to the device correctly.

STEP 8: DOWNLOADING AND INSTALLING THE APP

Download the "DoorBird" App by Bird Home Automation onto your mobile device from the Apple App Store or Google Play Store. You can always find the most up-to-date version of the App manual on www.doorbird.com/support If you use WiFi for connecting the device to your Internet Router, first go to the DoorBird App "Settings → WiFi Setup" and follow the instructions.

If you have finished the WiFi setup or have connected the device to your Internet Router by means of a network cable, go to the DoorBird App "Settings → Administration" and log in to the Administration area of the DoorBird Video Door Station (using the authentication details of the desired Video Door Station!) you would like to pair the device with (using the authentication details of the desired Video Door Station!). To pair the device there, go to "Peripherals → Settings → Add".

If you have problems adding the device to the App please check if the device is online (www.doorbird.com/checkonline). If the device is not online, please check the WiFi or network cable connection again.

DIAGNOSTIC-LED

You can see if the device is powered on by checking the Diagnostic-LED, which lights up about 30 to 60 seconds after the power is connected.

DIAGNOSTIC-SOUNDS

The device emits brief diagnostic sounds about 30 to 60 seconds after it has been connected to power.

TECHNICAL SPECIFICATIONS

Dimensions:

122 x 86 x 32 mm (L x W x H)

4.8 x 3.39 x 1.26 in (L x W x H)

Power supply:

15 V DC or power over Ethernet (PoE 802.3af mode A)

Operating conditions:

-25 to 55°C / -13 to 131°F

Humidity 10 to 85 % RH (non condensing)

Connectors:

SMA, RJ45 for LAN/PoE,

12-pin screw terminal for

- 15 V DC input (+, -)
- Bi-stable latching relay #1, max. 1-24 V DC/V AC, 1 Ampere
- Bi-stable latching relay #2, max. 1-24 V DC/V AC, 1 Ampere
- Bi-stable latching relay #3, max. 1-24 V DC/V AC, 1 Ampere
- External input 1 (potential-free)
- External input 2 (potential-free)

WiFi:

2.4 GHz, 802.11 b/g/n, external antenna

PoE:

IEEE 802.3 af/at (mode A)

System requirements:

Mobile end device: latest iOS on iPhone/iPad, latest Android on smartphone/tablet

Internet: High-speed landline broadband Internet connection, DSL, cable or fiber, no socks or proxy server

Network: 802.11 b/g/n 2.4 GHz or Ethernet Network, with DHCP

Compatible with all DoorBird IP video door stations.

Scope of delivery:

- 1 x I/O Door Controller
- 1 x Network cable
- 1 x power supply (110 - 240 V AC to 15 V DC) with 4 country adapters
- 1 x Top hat rails adapter
- 1 x drill jig

Approvals:

CE, FCC, UL, RoHS, IP50

Weather-proof:

No

Weight:

174 g

Errors and omissions excepted.

LEGAL NOTES

General remarks

1. DoorBird is a registered trademark of Bird Home Automation GmbH.

2. Apple, the Apple logo, Mac, Mac OS, Macintosh, iPad, Multi-Touch, iOS, iPhone and iPod touch are trademarks of Apple Inc.

3. Google, Android and Google Play are trademarks of Google, Inc.

4. The Bluetooth® word mark and logos are registered trademarks of Bluetooth SIG, Inc.

5. All other company and product names may be trademarks of the respective companies with which they are associated.

6. We reserve the right to make changes to our products in the interests of technical advancement. The products shown may also look different from the products supplied based on ongoing enhancement.

7. Reproducing or using texts, illustrations and photos from this instruction manual in any media – even if only in the form of excerpts – shall only be permitted with our express written consent.

8. The design of this manual is subject to copyright protection. We do not accept any liability for any errors or any erroneous content or printing errors (even in the case of technical specifications or within graphics and technical sketches).

9. Our products are in compliance with all technical guidelines, electrical and telecommunications regulations applicable in Germany, the EU and the USA.

Data privacy and data security

1. For maximum security, the device uses the same encryption technologies as are used in online banking. For your security, no port forwarding or DynDNS is used either.

2. The data centre location for remote access over the Internet by means of an App is obligatory in the EU if the determined Internet IP-Address location of the device is within the EU. The data centre is operated in line with the most stringent security standards.

3. Video, audio and any other surveillance methods can be regulated by laws that vary from country to country. Check the laws in your local region before installing and using this device for surveillance purposes.

If the device is a door-, indoor station or camera:

- In many countries video and voice signal may only be transmitted once a visitor has rung the bell (data privacy, configurable in the App).
- Please carry out the mounting in such a way that the detection range of the camera limits the device exclusively to the immediate entrance area.
- The device may come with a visitor history and motion sensor. You can activate/deactivate this function if required.

If necessary, indicate the presence of the device in a suitable place and in a suitable form.

Please observe any relevant country-specific statutory regulations concerning the use of surveillance components and surveillance cameras applicable at the installation site.

Check with the property owner and your house community if you are allowed to install and use this product. Bird Home Automation GmbH cannot be held responsible for any miss-use or miss-configuration of this product, including the unauthorized opening of a door.

Bird Home Automation cannot be held responsible for damages caused by improper existing installations or improper installation.

Software and operating system's updates (so-called „firmware updates“) are generally automatically installed on the products of Bird Home Automation GmbH via Internet, if technically possible. Automatic firmware updates keep the products' software up to date so that they always work reliably, safely and efficiently. Through further development, features can be added, extended or slightly changed. Major changes or limitations to existing features will generally occur if Bird Home Automation GmbH deems it necessary (e.g. for data protection, data security or stability reasons, or to keep them up to date). When a firmware update is available, Bird Home Automation GmbH's servers generally automatically distribute it to all compatible products connected to the Internet or Bird Home Automation GmbH's servers. This process is gradual and can take several weeks. As soon as a product receives a firmware update, the system will be installed and will restart by itself. Installed firmware updates cannot be undone. Since the products and software of Bird Home Automation GmbH are not explicitly customer-specific products, a customer cannot deny an automatic update if the product is connected to the Internet or to the Bird Home Automation GmbH's server.

Instructions for disposal

Do not dispose of the device with regular domestic waste. Electronic equipment must be disposed e.g. at local collection points for waste electronic equipment in compliance with the Waste Electrical and Electronic Equipment Directive.

Publisher

Bird Home Automation GmbH
Joachimsthaler Str. 12
10719 Berlin
Germany

Web: www.doorbird.com

Email: hello@doorbird.com

INSTALLATIONSANLEITUNG

Lesen Sie diese Anleitung sorgfältig, bevor Sie die Komponenten in Betrieb nehmen. Bewahren Sie die Anleitung zum späteren Nachschlagen auf! Wenn Sie das Gerät anderen Personen zur Nutzung überlassen, übergeben Sie auch diese Bedienungsanleitung.

Die stets aktuelle Version der Installationsanleitung finden Sie unter www.doorbird.com/de/support

Zur Vereinfachung der Begriffe verwenden wir „Gerät“ für das Produkt „IP E/A Tür Controller“ sowie „mobiles Endgerät“ für ein Smartphone/Tablet.

Haftung

Die Erstellung dieses Dokuments wurde sorgfältig vorbereitet. Bitte informieren Sie Bird Home Automation GmbH über etwaige Ungenauigkeiten oder Unterlassungen. Bird Home Automation GmbH kann nicht für technische oder typografische Fehler verantwortlich gemacht werden und behält sich das Recht vor, Änderungen an dem Produkt und den Handbüchern ohne vorherige Ankündigung vorzunehmen. Bird Home Automation GmbH übernimmt keinerlei Garantie in Bezug auf das in diesem Dokument enthaltene Material, einschließlich, aber nicht beschränkt auf die implizierten Garantien der Marktgängigkeit und Eignung für einen bestimmten Zweck. Bird Home Automation GmbH haftet nicht für Neben- oder Folgeschäden im Zusammenhang mit der Bereitstellung, Durchführung oder Verwendung dieses Materials. Das Gerät darf nur für den vorgesehenen Zweck verwendet werden.

Gerätemodifikationen

Dieses Gerät muss in Übereinstimmung mit den Anweisungen in der Installationsanleitung installiert und verwendet werden. Dieses Gerät enthält keine vom Benutzer zu wartenden Komponenten. Durch unbefugte Gerätemodifikationen oder Änderungen erlöschen alle anwendbaren Zertifizierungen und Zulassungen.

Verwendete Symbole



Achtung: Weist auf eine gefährliche Situation hin, die, falls nicht verhindert, zum Tod oder schweren Verletzungen führt.



Warnung: Weist auf eine gefährliche Situation hin, welche, falls nicht verhindert, zum Tod oder schweren Verletzungen führen kann.



Vorsicht: Weist auf eine gefährliche Situation hin, welche, falls nicht verhindert, zu geringfügiger oder mäßiger Verletzung führen kann.



Bitte beachten: Weist auf eine gefährliche Situation hin, welche, falls nicht verhindert, zu Sachschäden führen kann.



Wichtig: Weist auf wichtige Informationen hin, die den richtigen Betrieb des Produkts gewährleisten.



Hinweis: Weist auf nützliche Informationen hin, die die optimale Verwendung des Geräts unterstützen.

Gefahrenhinweise



WARNUNG

- Einbau, Montage und Servicearbeiten elektrischer Geräte dürfen ausschließlich durch eine Elektrofachkraft erfolgen. Bei Nichtbeachten besteht die Gefahr schwerer gesundheitlicher Schäden oder Lebensgefahr durch elektrische Stromschläge.
- Geräte mit 110-240 V Anschluss: Das Gerät darf nur an eine leicht zugängliche Netz-Steckdose angeschlossen werden. Bei Gefahr ist der Netzstecker zu ziehen.
- Benutzen Sie für die Stromversorgung des Gerätes ausschließlich das mitgelieferte Originalnetzteil oder einen in dieser Anleitung empfohlenen PoE-Switch/PoE-Injektor (sofern das Gerät PoE unterstützt).
- Durch elektrostatische Aufladung kann bei direktem Kontakt mit der Leiterplatte das Gerät zerstört werden. Vermeiden Sie daher ein direktes Berühren der Leiterplatte zu jeder Zeit.
- Norm EN 60065 bzw. EN 60950 bzw. EN 62368 beachten.
- Verwenden Sie das Gerät nicht, wenn es von außen erkennbare Schäden z. B. am Gehäuse, an Bedienelementen oder an den Anschlussbuchsen bzw. eine Funktionsstörung aufweist. Im Zweifelsfall lassen Sie das Gerät von einer autorisierten Fachkraft prüfen.



WARNUNG

- Öffnen Sie das Gerät nicht. In solchen Fällen erlischt jeder Gewährleistungsanspruch! Für Folgeschäden übernehmen wir keine Haftung! Das Gerät enthält keine durch den Anwender zu wartenden Teile. Im Fehlerfall lassen Sie das Gerät von einer autorisierten Fachkraft prüfen.
- Aus Sicherheits-, Zulassungs- und Lizenzgründen (CE/FCC/IC etc.) ist das eigenmächtige Umbauen und/oder Verändern des Gerätes nicht gestattet.
- Das Gerät ist kein Spielzeug! Erlauben Sie Kindern nicht damit zu spielen. Lassen Sie das Verpackungsmaterial nicht achtlos liegen. Plastikfolien/-tüten, Styroporsteile etc. können für Kinder zu einem gefährlichen Spielzeug werden.
- Verlegen Sie Kabel stets so, dass diese keine Gefährdungen für Menschen und Haustiere darstellen.
- An Teilen im Gerät liegt Spannung an. Berühren Sie keine Teile, die nicht mit der Installation, der Verdrahtung oder dem Anschluss verbunden sind. Elektrische Stromschläge können die Folge sein.
- Halten Sie die Geräte, die nicht als wetterfest gekennzeichnet sind, von Wasser oder anderen Flüssigkeiten fern.
- Führen Sie keine Installation durch und stellen Sie keine Verbindungen her, während die Stromversorgung eingeschaltet ist. Beschädigungen am Gerät oder elektrische Stromschläge können die Folge sein.
- Bevor Sie die Stromversorgung einschalten, stellen Sie sicher, dass die Drähte nicht gekreuzt oder kurzgeschlossen sind. Feuer oder elektrische Stromschläge können die Folge sein.
- Hochspannung kann intern vorhanden sein. Öffnen Sie das Gerät nicht. Elektrische Stromschläge können die Folge sein.
- Das Gerät ist nicht explosionsgeschützt. Nicht in der Nähe von Gasen oder brennbaren Materialien installieren oder verwenden. Feuer oder Explosion können entstehen.
- Installieren Sie nicht zwei Stromversorgungen parallel zu einem einzigen Eingang. Feuer oder Beschädigung des Gerätes können entstehen. Achten Sie darauf, nur ein einziges Netzteil an das Gerät anzuschließen.

- Schließen Sie keinen Anschluss am Gerät an eine Netzstromleitung an. Feuer oder elektrische Stromschläge können die Folge sein.
- Stellen Sie sicher, dass das Netzkabel nicht beschädigt oder gequetscht ist. Wenn das Netzkabel gebrochen ist, kann es zu einem Brand oder elektrischen Stromschlag kommen.
- Nichts mit nassen Händen anstecken oder abziehen. Elektrische Stromschläge können die Folge sein.
- Führen Sie kein Metall oder brennbares Material in das Gerät. Feuer, elektrische Stromschläge oder Gerätestörungen können die Folge sein.
- Bestehende Verdrahtungen wie Türgongverdrahtung usw. können Hochspannungs-Wechselstrom enthalten. Schäden am Gerät oder elektrische Stromschläge können auftreten. Die Verdrahtung und Installation muss von einem qualifizierten Elektriker durchgeführt werden.
- Gerätemontage an Wand oder Decke: Vermeiden Sie Installationsorte, an denen das Gerät Erschütterungen oder Stößen ausgesetzt ist.
- Bei Geräten mit Erdungsklemmen muss eine Erdung angeschlossen werden. Feuer oder Gerätestörungen können die Folge sein.
- Bei Geräten mit Kunststoffglas oder Echtglas, keinen hohen Druck auf das Glas ausüben. Bei Bruch kann es zu Verletzungen kommen.
- Bei Geräten mit LCD, wenn LCD beschädigt ist, nicht mit dem Flüssigkristall in Kontakt kommen. Verletzungen können die Folge sein. Wenn nötig, spülen Sie den Mund aus, reinigen Sie Ihre Augen oder Haut mit klarem Wasser für mindestens 15 Minuten und wenden Sie sich an Ihren Arzt.
- Bringen Sie nichts auf dem Gerät an und verdecken Sie das Gerät nicht mit einem Tuch, Silikon, Klebstoff, Farbe, separater Abdeckung etc. Es können Feuer- oder Gerätestörungen auftreten.
- Installieren Sie das Gerät nicht an einer der folgenden Orte. Feuer, Stromschlag oder Gerätestörungen können die Folge sein.
 - Orte unter direktem Sonnenlicht oder Orte in der Nähe von Heizgeräten, die in der Temperatur variieren.



WARNUNG

- Orte mit Staub, Öl, Chemikalien, Schwefelwasserstoff (heiße Quellen).
 - Orte, die extremer Feuchtigkeit und Luftfeuchtigkeit ausgesetzt sind, wie Bäder, Keller, Gewächshäuser, etc.
 - Orte, an denen die Temperatur extrem niedrig ist, wie z. B. in einem gekühlten Bereich oder vor einer Klimaanlage.
 - Orte, die Dampf oder Rauch ausgesetzt sind (z.B. in der Nähe von Heiz- oder Kochflächen).
 - Orte, an denen Geräusch erzeugende Geräte wie Dimmschalter oder Wechselrichter-Elektrogeräte in unmittelbarer Nähe sind.
 - Orte, die häufigen Vibrationen oder Stößen ausgesetzt sind.
- Bei Geräten mit Gegensprechfunktion ist darauf zu achten, dass ein Anruftest durchgeführt wird, bei dem beide Gegensprechgeräte auf geringer Lautstärke eingestellt sind. Ein plötzlicher Anruf etc. kann ankommen und das Gehör schädigen.
- Wenn das Gerät nicht ordnungsgemäß funktioniert, ziehen Sie den Netzstecker aus der Steckdose.
- Alle Geräte, die nicht als wetterfest gekennzeichnet sind, sind nur für den Innenbereich konzipiert und nicht im Freien zu benutzen.
- Geräte, die als wetterfest gekennzeichnet sind, nicht mit Hochdruckwasser besprühen. Gerätestörungen können die Folge sein.
- Bei Sach- oder Personenschäden, die durch unsachgemäße Handhabung oder Nichtbeachten der Gefahrenhinweise verursacht werden, übernehmen wir keine Haftung. In solchen Fällen erlischt jeder Gewährleistungsanspruch! Für Folgeschäden übernehmen wir keine Haftung.

Sicherheitsanweisungen



- Die Verwendung des Geräts muss unter Beachtung der örtlich geltenden rechtlichen Bestimmungen erfolgen.
- Lagern Sie das Gerät in einer trockenen und belüfteten Umgebung.

- Achten Sie darauf, dass das Gerät weder Stößen noch starkem Druck ausgesetzt ist.
- Installieren Sie das Gerät nicht an instabilen Halterungen, Oberflächen oder Wänden. Stellen Sie sicher, dass das Material stabil genug ist, um das Gewicht des Geräts zu tragen.
- Verwenden Sie bei der Installation des Geräts ausschließlich passende Werkzeuge. Ein zu großer Kraftaufwand mit Werkzeugen kann das Gerät beschädigen.
- Verwenden Sie keine chemischen, ätzenden oder aerosolhaltigen Reinigungsmittel.
- Verwenden Sie zum Reinigen ein sauberes, trockenes Tuch.
- Verwenden Sie nur Zubehör, das den technischen Daten des Geräts entspricht. Dieses ist von Bird Home Automation GmbH erhältlich.
- Verwenden Sie ausschließlich Ersatzteile die von Bird Home Automation GmbH bereitgestellt oder empfohlen werden.
- Versuchen Sie nicht, das Gerät selbstständig zu reparieren. Wenden Sie sich bezüglich Reparatur und Wartung an Bird Home Automation GmbH.
- Halten Sie das Gerät mehr als 1 m (3,3") entfernt von Mikrowelle, Radio, TV, WLAN Router und anderen drahtlosen Geräten.
- Bei Geräten mit Gegensprechfunktion oder eingebautem Lautsprecher oder eingebautem Mikrofon oder Signalübertragungsfunktion, installieren Sie die Drähte mehr als 30 cm (12") entfernt von 100-240 V Wechselstromverdrahtung. Ansonsten können Wechselstrom-induzierte Geräusche und/oder Geräte-Störungen auftreten.
- Installieren Sie das Gerät in einem Bereich, der für zukünftige Inspektionen, Reparaturen und Wartungen zugänglich ist.
- Wenn das Gerät in der Nähe eines Mobiltelefons verwendet wird, kann das Gerät gestört werden.
- Das Gerät kann beschädigt werden, wenn es fallen gelassen wird. Mit Vorsicht behandeln.

NOTICE

- Das Gerät wird während eines Stromausfalls außer Betrieb gesetzt.
- Bei Geräten mit Gegensprechfunktion oder eingebautem Lautsprecher oder eingebautem Mikrofon kann das Gerät in Bereichen, in denen Antennen von Mobilfunksendern, Radio- oder TV-Sendern in der Nähe sind, beeinträchtigt werden.
- Bei Geräten mit LCD-Bildschirm muss im Voraus darauf hingewiesen werden, dass bei einem LCD-Panel, obwohl es mit sehr hohen Präzisionstechniken hergestellt wird, unvermeidlich ein sehr kleiner Teil seiner Bildelemente nicht immer beleuchtet oder gar nicht beleuchtet wird. Dies gilt nicht als Gerätefehler.
- Bei Geräten mit Gegensprechfunktion können Geräusche in der Umgebung des Gerätes eine reibungslose Kommunikation behindern. Dies ist keine Fehlfunktion.
- Bei Geräten mit Benutzername/Passwort ist der Anwender für den Zugriff mittels Benutzername/Passwort auf das Gerät verantwortlich. Vergewissern Sie sich ein Passwort zu verwenden, das von einem Dritten nicht leicht erraten werden kann. Wir empfehlen Ihnen, das Passwort regelmäßig zu ändern.
- Wir haften unter keinen Umständen für Schäden, die aufgrund von Fehlern in der Stromversorgung, Netzwerkgeräten oder Endgeräten auftreten; Ausfälle aufgrund von Internetanbietern und Mobilfunkanbietern; Ausfälle aufgrund von getrennten oder gestörten Leitungen und andere Übertragungsverluste, die es unmöglich machen, unseren Dienst zu erbringen, sowie allen anderen Ursachen die außerhalb unserer Verantwortung liegen; Oder, wenn während der Übertragung ein Fehler oder fehlende Daten auftreten.

Transport

NOTICE

Bei Bedarf transportieren Sie das Gerät in der Originalverpackung oder einer entsprechenden Verpackung, so dass Schäden vermieden werden.

Gewährleistung

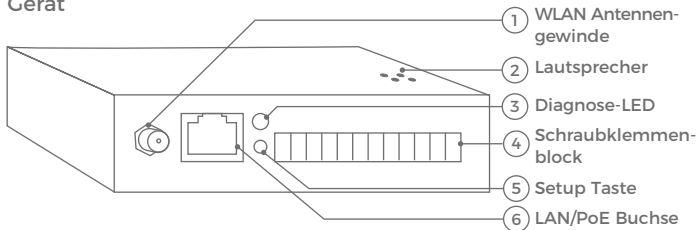
Informationen zur Gewährleistung des Geräts finden Sie unter www.doorbird.com/de/warranty

KOMPONENTEN

Inhalt

- 1x Gerät
- 1x Steckernetzteil mit vier Landesadaptern
- 1x RJ45 Netzwerkkabel (300 cm)
- 2x Kreuzschlitz-Senkkopfschraube
- 2x Dübel
- 1x Installationsanleitung
- 1x Bohrschablone
- 1x Hutschienenadapter
- 1x 2,4 GHz Antenne
- 1x Quickstartanleitung mit Digital Passport

Gerät



- 1) WLAN Antennengewinde
Antennengewinde, um die mitgelieferte 2,4 GHz Antenne anzuschließen.
- 2) Lautsprecher
Lautsprecher für Diagnose-Töne.
- 3) Diagnose-LED
Diagnose LED, um den aktuellen Status des Geräts anzuzeigen.
- 4) Schraubklemmenblock
Schraubklemmenblock, um externe Geräte wie z.B. einen elektrischen Türöffner oder Stromversorgung mit dem Gerät zu verbinden
- 5) Setup Taste
Setup Taste (SET), um z.B. mit der DoorBird App die WLAN Schnittstelle des Geräts zu konfigurieren.
- 6) LAN/PoE Buchse
RJ45 Buchse, um ein Standard Netzwerkkabel Cat.5 oder besser, vom Internet Router/PoE-Switch/ PoE-Injektor kommend, anzuschließen.

VIDEOS

Sie können die Installation durch unsere Installationsvideos auf www.doorbird.com/de/support begleiten lassen. In den Videos wird jeder Installationsschritt einzeln und gut dokumentiert dargestellt.

INSTALLATION

Alle folgenden Schritte sollten von einem fachkundigen Erwachsenen sorgsam und unter Berücksichtigung sämtlicher geltender Schutzvorschriften durchgeführt werden. Sollten Sie Fragen haben, wenden Sie sich bitte direkt an uns oder einen kompetenten Fachmann. Achten Sie darauf, dass alle Drähte, die Sie für die Installation verwenden, über die gesamte Länge unbeschädigt und für die Verwendungsart zugelassen sind.

Netzwerkgeschwindigkeit und Netzwerkkomponenten

Stellen Sie sicher, dass Ihre Internetverbindung über mindestens 0,5 Mbit/s Uploadgeschwindigkeit verfügt. Sie können über die DoorBird App jederzeit auch einen Geschwindigkeitstest durchführen. Das Nutzererlebnis ist nur so gut wie die Netzwerkgeschwindigkeit, Netzwerkstabilität und Qualität Ihrer Netzwerkkomponenten, wie z.B. Ihr Internet Router und WLAN Access Points oder WLAN Repeater. Stellen Sie sicher, dass Ihre Netzwerkkomponenten nicht älter als 2 Jahre sind, von einem namhaften Hersteller gefertigt wurden und über die neuste Firmware verfügen. Sind diese Voraussetzungen nicht erfüllt, kann es z.B. dazu kommen, dass Audio- und Videoverbindungen schlecht sind oder Push-Nachrichten verzögert oder gar nicht auf Ihrem Smartphone oder Tablet ankommen.

High Speed Internet (Festnetz): DSL, Kabel oder Glasfaser

Netzwerk: 802.11b/g/n 2.4GHz oder Ethernet Netzwerk, mit DHCP

SCHRITT 1: STROM ABSCHALTEN



Schalten Sie den Strom sämtlicher zum Montageort führenden Leitungen ab, d.h. z.B. den Strom für die Türstation, den Türgong, elektrischen Türöffner, PoE-Switch/PoE-Injektor etc.

SCHRITT 2: MONTAGEORT FESTLEGEN



Das Gerät ist IP50 zertifiziert (nicht wasserdicht). Bitte verbauen Sie das Gerät in einem geeigneten Gehäuse, falls Sie es im Freien einsetzen möchten.

Das Netzkabel zwischen dem Gerät und dem Internet Router/PoE-Switch /PoE-Injektor kann eine maximale Länge von 80 Metern/262 Fuß haben.

Sie können das Gerät dauerhaft an einer Wand oder Decke montieren. Wenn Sie es nicht dauerhaft anbringen möchten, dann überspringen Sie bitte den Rest von diesem Schritt.

Drücken Sie die Bohrschablone des Geräts am gewünschten Installationsort gegen die Wand oder die Decke und markieren Sie mit einem Stift die Bohr-
löcher. Entfernen Sie die Bohrschablone wieder.



Stellen Sie sicher, dass sich hinter den Bohrlöchern keine Leitungen in der Hauswand befinden.

Wenn es sich bei dem Material der Hauswand nicht um Holz handelt, bohren Sie die Dübellöcher gemäß Bohrschablone mit einem Bohrer mit 5 mm Durchmesser in die Hauswand und stecken Sie dann die mitgelieferten Dübel in die Bohrlöcher. Wenn es sich bei der Hauswand um Holz handelt, benötigen Sie im Normalfall keine Dübel. Für die Montage des Geräts an einer Wärmeschutzwand gibt es spezielle Dübel, z.B. Fischer Dämmstoffdübel. Bitte klären Sie mit Ihrem Dämmstoffhersteller, welche Dübel von diesem empfohlen werden.

Drehen Sie die beiliegenden Kreuzschlitz-Senkkopfschrauben so weit in die Wand bzw. Dübel, dass die Senkkopfschrauben einige Millimeter über der Wand herausstehen.

SCHRITT 3: WLAN ANTENNE

Das Gerät verfügt über eine eingebaute 2,4 GHz WLAN Schnittstelle um es drahtlos mit Ihrem Internet Router zu verbinden. Bitte montieren Sie die mitgelieferte WLAN Antenne am WLAN Antennengewinde des Gerätes. Die WLAN Schnittstelle des Gerätes ist automatisch inaktiv, wenn Sie ein Netzkabel verwenden, um das Gerät an Ihren PoE-Switch/PoE-Injektor/Internet Router anzuschließen.

SCHRITT 4: OPTIONEN ZUR STROMVERSORGUNG

Das Gerät kann mit dem mitgelieferten Steckernetzteil (Option 1) oder per PoE (Power over Ethernet) über ein Netzkabel (Option 2) mit Strom versorgt werden. Optional kann das Gerät auch mit einem Hutschienennetzteil, das Sie direkt von uns beziehen können, mit Strom versorgt werden. Das Gerät hat keine Batterie als Stromversorgung.

Option 1: Stromversorgung per Steckernetzteil

Zur Stromversorgung des Geräts per Steckernetzteil werden zwei isolierte Drähte benötigt. Das Steckernetzteil verfügt über ein 300 cm langes Kabel mit zwei isolierten Drähten.



Stecken Sie das Steckernetzteil noch nicht in die Wandsteckdose. Verwenden Sie ausschließlich das mitgelieferte Steckernetzteil oder das von uns separat erhältliche Hutschienennetzteil, da diese speziell stabilisiert und mit einer integrierten Audio Störungsunterdrückung ausgestattet sind. Andere Netzteile können das Gerät zerstören oder eine schlechte Übertragungsqualität verursachen. Durch Verwenden eines anderen Netzteils erlischt automatisch die Gewährleistung.

Option 2: Stromversorgung per PoE

Zur Stromversorgung des Geräts per PoE-Switch (z.B. D-Link DGS-1008P) oder PoE-Injektor (z.B. DoorBird Gigabit PoE Injektor) nach PoE Standard IEEE 802.3af Mode A werden die vier Drähte mit den Nummern 1, 2, 3 und 6 eines Cat.5 Netzwerkkabels oder besser benutzt. Es muss zwingend ein Cat.5 Netzwerkkabel oder besser zum Einsatz kommen, da Netzwerksignale nur über vollständig isolierte, abgeschirmte und verdrehte Kabel übertragen werden können. Wenn Sie PoE als Stromversorgung nutzen, ist die WLAN Schnittstelle des Geräts automatisch inaktiv. Die vier Drähte für PoE sind dann gleichzeitig die Datenleitung. Sollte Ihr PoE-Switch oder PoE-Injektor keinen PoE Standard IEEE 802.3af Mode A unterstützen, wird das Gerät nicht starten (siehe Diagnose-LED und Diagnose-Töne).



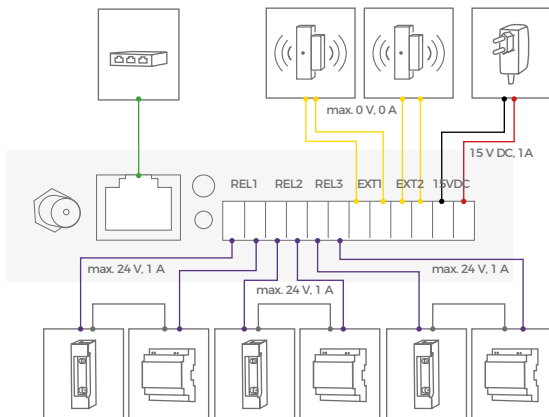
1. Trennen Sie den vorgesehenen PoE-Switch oder PoE-Injektor vom Stromnetz.
2. Führen Sie das Netzwerkkabel zum Montageort des Geräts.

Weiterführende Informationen zu PoE finden Sie hier:
<http://www.doorbird.com/de/poe>

SCHRITT 5: GERÄT ANSCHLIESSEN

Das Gerät verfügt für ein komfortables und sicheres Anschließen der Kabel und Drähte über beschriftete Anschlussbuchsen. Sie können jetzt alle erforderlichen Kabel und Drähte mit dem Gerät verbinden. Entfernen Sie bitte die Kabel und Drähte von den Anschlussbuchsen des Geräts, die Sie nicht benötigen.

Entfernen Sie etwa 5 mm der Isolierung am Ende der Drähte, die Sie an den grünen Schraubklemmenblock anschließen möchten.



ANSCHLÜSSE

BESCHREIBUNG

LAN/POE

RJ45 Buchse, um ein Standard Netzwerkkabel Cat.5 oder besser, vom Internet Router/PoE-Switch/PoE-Injektor kommend, anzuschließen.



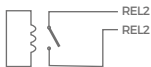
Kombinieren Sie die Stromversorgung per Steckernetzteil nicht mit der Stromversorgung per PoE.

REL1, REL1



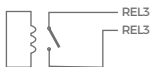
Erstes bi-stabiles selbsthaltendes Relais, max. 1-24 V DC/ V AC, 1 Ampere. Sicherheitsfeature: Das Relais behält den Zustand auch bei Spannungsverlust. Sie können den Standardzustand des Relais (geöffnet/geschlossen) über die DoorBird App konfigurieren. Diese Anschlüsse können verwendet werden, um z.B. einen elektrischen Türöffner anzuschließen. Das Gerät bietet keine Stromversorgung für einen elektrischen Türöffner. Die Stromversorgung für einen elektrischen Türöffner muss separat installiert werden.

REL2, REL2



Zweites bi-stabiles selbsthaltendes Relais, max. 1-24 V DC/V AC, 1 Ampere. Sicherheitsfeature: Das Relais behält den Zustand auch bei Spannungsverlust. Sie können den Standardzustand des Relais (geöffnet/geschlossen) über die DoorBird App konfigurieren. Diese Anschlüsse können verwendet werden, um z.B. einen elektrischen Türöffner anzuschließen. Das Gerät bietet keine Stromversorgung für einen elektrischen Türöffner. Die Stromversorgung für einen elektrischen Türöffner muss separat installiert werden.

REL3, REL3



Drittes bi-stabiles selbsthaltendes Relais, max. 1-24 V DC/V AC, 1 Ampere. Sicherheitsfeature: Das Relais behält den Zustand auch bei Spannungsverlust. Sie können den Standardzustand des Relais (geöffnet/geschlossen) über die DoorBird App konfigurieren. Diese Anschlüsse können verwendet werden, um z.B. einen elektrischen Türöffner anzuschließen. Das Gerät bietet keine Stromversorgung für einen elektrischen Türöffner. Die Stromversorgung für einen elektrischen Türöffner muss separat installiert werden.

EXT1, EXT1



Erster potentialfreier Kontakt, max. 0 V DC/V AC, 0 Ampere. Diese Anschlüsse können z.B. verwendet werden, um einen externen Sensor anzuschließen, z.B. Türsensor oder Bewegungssensor. Sie können das Ereignis, das von diesen Anschlüssen ausgelöst wird mit der DoorBird App konfigurieren.

NOTICE Beachten Sie bitte, dass Sie keine zusätzliche Spannung auf den Kontakt geben.

EXT2, EXT2



Zweiter potentialfreier Kontakt, max. 0 V DC/V AC, 0 Ampere. Diese Anschlüsse können z.B. verwendet werden, um einen externen Sensor anzuschließen, z.B. Türsensor oder Bewegungssensor. Sie können das Ereignis, das von diesen Anschlüssen ausgelöst wird mit der DoorBird App konfigurieren.

NOTICE Beachten Sie bitte, dass Sie keine zusätzliche Spannung auf den Kontakt geben.

15 VDC -

Eingang 15 V DC Spannungsversorgung, Minuspol (-). Bitte verbinden Sie den schwarzen Draht des mitgelieferten Netzteils (Netzadapter) mit diesem Abschluss, wenn Sie das Gerät nicht mit PoE versorgen.



Kombinieren Sie die Stromversorgung per Steckernetzteil nicht mit der Stromversorgung per PoE.

15 VDC +

Eingang 15 VDC Spannungsversorgung, Pluspol (+). Bitte verbinden Sie den roten Draht des mitgelieferten Netzteils mit diesem Abschluss, wenn Sie das Gerät nicht mit PoE versorgen.



Kombinieren Sie die Stromversorgung per Steckernetzteil nicht mit der Stromversorgung per PoE.



Bitte gehen Sie sorgsam beim Anschluss der Kabel und Drähte vor, ein falscher Anschluss kann das Gerät zerstören.

SCHRITT 6: ENDMONTAGE

Wenn Sie das Gerät dauerhaft an einer Wand oder Decke montieren möchten, montieren Sie bitte jetzt das Gerät auf den Kreuzschlitz-Senkkopfschrauben, die Sie in Schritt 2 befestigt haben.

SCHRITT 7: INBETRIEBNAHME

Schalten Sie den Strom der zum Montageort führenden Leitungen an. Wenn das Gerät per Steckernetzteil mit Strom versorgt werden soll, stecken Sie das Steckernetzteil des Geräts in eine Wandsteckdose. Wenn das Gerät per PoE mit Strom versorgt werden soll, schalten Sie den PoE-Switch/PoE-Injektor ein, der mit dem Gerät verbunden ist.



Kombinieren Sie die Stromversorgung per Steckernetzteil nicht mit der Stromversorgung per PoE.

Ob das Gerät mit Strom versorgt ist, sehen Sie anhand der Diagnose-LED. Diese leuchtet nach etwa 30 bis 60 Sekunden, nachdem man die Stromversorgung angeschlossen hat. Das Gerät ist betriebsbereit (Bootvorgang, etwaige Softwareupdates etc.), sobald dieses einen kurzen Diagnose-Ton aus dem integrierten Lautsprecher ausgegeben hat. Dies kann bis zu 5 Minuten dauern. Sollten Sie keinen Ton hören, prüfen Sie bitte die Stromversorgung. Wenn Sie ein Steckernetzteil und nicht PoE verwenden, prüfen Sie insbesondere, ob Sie den Pluspol und Minuspol korrekt an das Gerät angeschlossen haben.

SCHRITT 8: DOWNLOAD UND INSTALLATION DER APP

Laden Sie sich die App "DoorBird" von Bird Home Automation aus dem Apple App Store bzw. Google Play Store auf Ihr mobiles Endgerät. Die stets aktuelle Version der App Bedienungsanleitung finden Sie unter www.doorbird.com/de/support

Wenn Sie für die Verbindung des Geräts zu Ihrem Internet Router WLAN verwenden, gehen Sie zuerst auf DoorBird App "Einstellungen → WLAN Setup" und folgen Sie den Anweisungen. Wenn Sie das WLAN Setup abgeschlossen haben oder das Gerät per Netzkabel mit Ihrem Internet Router verbunden haben, gehen Sie auf DoorBird App "Einstellungen → Administration" und loggen Sie sich auf der DoorBird Video Türstation ein (mit den Zugangsdaten der gewünschten Video Türstation!), mit der Sie das Gerät koppeln möchten. Sie können das Gerät dort über „Peripherie → Einstellungen → Hinzufügen“ hinzufügen.

Falls Sie Probleme beim Hinzufügen des Geräts zur App haben, prüfen Sie bitte, ob das Gerät online ist (www.doorbird.com/de/checkonline). Sollte dieses nicht online sein, prüfen Sie bitte die WLAN bzw. Netzkabelverbindung des Geräts erneut.

DIAGNOSE-LED

Ob das Gerät mit Strom versorgt ist, sehen Sie anhand der Diagnose-LED. Diese leuchtet nach etwa 30 bis 60 Sekunden, nachdem man die Stromversorgung angeschlossen hat.

DIAGNOSE-TÖNE

Das Gerät gibt nach etwa 30 bis 60 Sekunden Töne zur Diagnose aus, nachdem man das Gerät mit dem Stromnetz verbunden hat.

TECHNISCHE DATEN

Abmessung:

122 x 86 x 32 mm (L x B x H)

4.8 x 3.39 x 1.26 in (L x B x H)

Stromversorgung:

15 V DC oder Power over Ethernet (PoE 802.3af mode A)

Betriebsbedingungen:

-25 bis 55°C / -13 bis 131°F

Relative Luftfeuchtigkeit 10 bis 85 % (nicht kondensierend)

Anschlüsse:

SMA, RJ45 für LAN/PoE,

12-Pin Schraubklemme für

- 15 V DC Eingang (+, -)
- Bi-stabiles selbsthaltendes Schaltrelais #1
max. 1-24 V DC / V AC, 1 Ampere
- Bi-stabiles selbsthaltendes Schaltrelais #2
max. 1-24 V DC / V AC, 1 Ampere
- Bi-stabiles selbsthaltendes Schaltrelais #3
max. 1-24 V DC / V AC, 1 Ampere
- Externer Eingang 1 (potentialfrei)
- Externer Eingang 2 (potentialfrei)

WLAN:

2.4 GHz, 802.11 b/g/n,

externe Antenne

PoE:

IEEE 802.3 af/at (Mode A)

Systemanforderungen:

Mobiles Endgerät: Neuestes iOS auf iPhone/iPad, neuestes Android auf Smartphone/Tablet

Internet: High-Speed Festnetz Breitband Internetanschluss, DSL, Kabel oder Glasfaser, kein Socks-

oder Proxyserver

Netzwerk: 802.11 b/g/n 2.4 GHz oder Ethernet Netzwerk, mit DHCP

Kompatibel mit allen DoorBird IP Video Türstationen.

Lieferumfang:

- 1 x E/A Tür Controller
- 1 x Netzkabel
- 1 x Steckernetzteil (110 - 240 V AC auf 15 V DC) mit 4 Landesadaptern
- 1 x Hutschienenadapter
- 1 x Bohrschablone

Zulassungen:

CE, FCC, UL, RoHS, IP50

Wetterfest:

Nein

Gewicht:

174 g

Irrtümer und Änderungen vorbehalten.

RECHTLICHE HINWEISE

Allgemeines

1. DoorBird ist ein registriertes Warenzeichen der Bird Home Automation GmbH.
2. Apple, das Apple Logo, Mac, Mac OS, Macintosh, iPad, Multi-Touch, iOS, iPhone und iPod touch sind Warenzeichen von Apple Inc.
3. Google, Android und Google Play sind Warenzeichen von Google, Inc.
4. Die Bluetooth® Wortmarke und Logos sind Warenzeichen von Bluetooth SIG, Inc.
5. Alle anderen Firmen- und Produktnamen können Warenzeichen der jeweiligen Firmen sein, mit denen sie in Verbindung gebracht werden.
6. Änderungen an unseren Produkten, die dem technischen Fortschritt dienen, behalten wir uns vor. Die abgebildeten Produkte können im Zuge der ständigen Weiterentwicklung auch optisch von den ausgelieferten Produkten

abweichen.

7. Abdrucke oder Übernahme von Texten, Abbildungen und Fotos in beliebigen Medien aus dieser Anleitung – auch auszugsweise – sind nur mit unserer ausdrücklichen schriftlichen Genehmigung gestattet.

8. Die Gestaltung dieser Anleitung unterliegt dem Urheberrecht. Für eventuelle Irrtümer, sowie inhaltliche- bzw. Druckfehler (auch bei technischen Daten oder innerhalb von Grafiken und technischen Skizzen) übernehmen wir keine Haftung.

9. Unsere Produkte entsprechen den in Deutschland, der in Deutschland, EU und USA geltenden technischen Richtlinien, elektrischen Bestimmungen und Telekommunikationsbestimmungen.

Datenschutz und Datensicherheit

1. Für maximale Sicherheit verwendet das Gerät dieselben Verschlüsselungstechnologien wie beim Onlinebanking. Zu Ihrer Sicherheit sind auch keine Portweiterleitungen oder DynDNS im Einsatz.

2. Der Standort des Rechenzentrums für den Fernzugriff per App über das Internet ist verbindlich in der EU, wenn der festgestellte Internet IP-Adressen Standort des Geräts in der EU ist. Das Rechenzentrum wird nach strengsten Sicherheitsstandards betrieben.

3. Video-, Audio- und jede andere Überwachungsmethode können durch Gesetze geregelt werden, die von Land zu Land variieren. Überprüfen Sie die Gesetze in Ihrer Region vor der Installation und Verwendung dieses Gerätes für Überwachungszwecke.

Wenn es sich bei dem Gerät um eine Tür-, Innenstation oder Kamera handelt:

- In vielen Ländern darf Videobild und Sprache erst dann übertragen werden, wenn ein Besucher geklingelt hat (Datenschutz, konfigurierbar in der App)
- Führen Sie die Montage so durch, dass sich der Erfassungsbereich der Kamera ausschließlich auf den unmittelbaren Eingangsbereich beschränkt.
- Das Gerät verfügt ggf. über eine integrierte Besucherhistorie und Bewegungssensor. Sie können diese Funktionen, wenn erforderlich, aktivieren/deaktivieren.

Erkundigen Sie sich beim Eigentümer und Ihrer Hausgemeinschaft, ob Sie dieses Produkt installieren und verwenden dürfen. Bird Home Automation GmbH übernimmt keine Verantwortung für den Missbrauch oder die Fehlkonfiguration dieses Produkts, auch nicht durch unerwünschtes Öffnen einer Tür.

Bird Home Automation kann nicht für Schäden haftbar gemacht werden, die durch unsachgemäße bestehende Installationen oder unsachgemäße Installation entstehen.

Weisen Sie bei Erfordernis an geeigneter Stelle und in geeigneter Form auf das Vorhandensein des Geräts hin.

Beachten Sie alle am Installationsort geltenden relevanten landespezifischen gesetzlichen Regelungen für den Einsatz von Überwachungskomponenten und Überwachungskameras.

Software Updates bzw. Aktualisierungen des Betriebssystems (so genannte „Firmware-Updates“) werden im Normalfall automatisch in die Produkte der Bird Home Automation GmbH über das Internet eingespielt, sofern technisch möglich. Mit automatischen Firmware-Updates wird die Software der Produkte auf dem neuesten verfügbaren Stand gehalten, damit sie stets zuverlässig, sicher und leistungsstark arbeiten. Durch Weiterentwicklung können Funktionen im Zeitverlauf hinzugefügt, erweitert oder geringfügig geändert werden. Größere Änderungen bzw. Einschränkungen bereits vorhandener Funktionen erfolgen im Normalfall nur, sofern Bird Home Automation GmbH dies für erforderlich hält (z.B. aus Datenschutz-, Datensicherheits- oder Stabilitätsgründen oder um sie auf dem Stand der Technik zu halten). Wenn ein Firmware-Update verfügbar ist, verteilen es die Server der Bird Home Automation GmbH im Normalfall automatisch an alle kompatiblen Produkte, die mit dem Internet bzw. Server der Bird Home Automation GmbH verbunden sind. Dieser Prozess erfolgt schrittweise und kann mehrere Wochen dauern. Wenn ein Produkt ein Firmware-Update erhält, installiert es dieses und startet im Normalfall neu. Installierte Firmware-Updates können nicht rückgängig gemacht werden. Da es sich bei den Produkten und der Software der Bird Home Automation GmbH nicht um explizit kundenspezifisch entwickelte Produkte handelt, kann ein Kunde ein automatisches Update nicht verwehren, sofern das Produkt mit dem Internet bzw. Server der Bird Home Automation GmbH verbunden ist.

Entsorgungshinweis

Gerät nicht im Hausmüll entsorgen! Elektronische Geräte sind entsprechend der Richtlinie über Elektro- und Elektronik Altgeräte zu entsorgen, z.B. über die örtlichen Sammelstellen für Elektronik- Altgeräte.

Herausgeber

Bird Home Automation GmbH
Joachimsthaler Str. 12
10719 Berlin
Deutschland

Web: www.doorbird.com
Email: hello@doorbird.com



DoorBird
Technology meets Design.