

1. FEATURES

Wireless outdoor siren Ajax StreetSiren is intended for light and sound alerting. Works as a part of Ajax security system.

▲ IMPORTANT!

StreetSiren works only with Ajax Hub. Siren connection to Ajax ocBridge wireless sensors receiver or Ajax uartBridge module is not provided!

2. SPECIFICATIONS

SPECIFICATION	MEANING
Device type	Wireless
Use	Indoor/outdoor
Alarm type	Light and sound
Sound alarm volume	Adjustable: 85-113 dB at the distance of 1m
Working frequency of piezo buzzer	3,5±0,5 kHz
Light alarm	LED light ring
Arming/disarming indicator	Yes
Power supply	From on-board batteries / or external 12V DC
Battery type	4 CR123A batteries, 3V
Battery indicator	Yes
Battery life	Up to 5 years
External power supply	DC 12V±20%
Standby current	70 µA (when polling every 36 sec)
Maximum alarm current (external source)	1,45 A (max volume)
Maximum power consumption	From batteries – 4,35 W External source DC 12V – 13.5 W
Tamper protection	Available
Dismount protection	Accelerometer
Radio signal power	25 mW
Communication protocol	Jeweller (868 or 915 MHz depending on the country of distribution)
Max distance between siren and Hub	Up to 2000 m (6500 ft) (in open area)
Radio monitoring	Synchronization with the Hub every 12 to 300 sec (customizable)
Alarm triggering time	Less than a second
Customizable alarm duration	Between 3 sec and 3 min
Ingress protection	IP54
Operating temperature range	From -20°C (-4°F) to +50°C (+140°F)
Operating humidity	Up to 95%
Dimensions	200x200x51 mm
Weight	502 g

3. PACKAGE CONTENTS

Siren, 4 batteries CR123A (pre-installed), manual, installation kit

4. GETTING STARTED

4.1 Before siren installation, you must register it in Ajax security system. To register a siren you need to open the tab «Devices» and click «Add Device» in the Ajax mobile application or web browser, and then perform the tips of add device dialog. During process of adding the device you will need to switch on siren. The siren is turned on / off by holding down power button "1" (PICTURE 1) for three seconds. At the time of turning on siren should blink with red light ring. Siren's registration request is transmitted only at the moment when siren is switching on! If registration of a siren in the security system, for whatever reason, did not complete, after switching on siren will blink 6 times with LED light at intervals once every second, after that it switches off automatically having quickly blink 3 times with it's light ring. After that the siren can be switched on again. If siren was removed from list of registered devices in the security system, it also blinks 6 times with one LED and then switches off automatically.

If it is necessary to turn off the siren hold power button for more than 1 second. Siren will switch on light ring for 1 second, then blink with light ring 3 times quickly and then will be switched off.

4.2 After siren's successful registration, select optimal location for its installation.

▲ IMPORTANT!

Make sure the selected location for siren installation will ensure stable radio communication with the Hub! Maximum distance between the siren and Hub - 2000 m (6500 ft), is shown for comparison with other devices and obtained by tests in an open area. The quality and range of communication between

siren and Hub can vary depending on installation place, presence of walls, partitions, ceilings, as well as their thickness and material. Passing through the obstacles, signal loses some power. For example, the communication distance between siren and Hub, which are separated by two concrete walls, will be approximately 30 m. Also we draw your attention that by moving siren even to 10 cm, you can improve quality of signal reception a lot.

Be sure to check the signal strength! You can run signal test from Ajax mobile application or web browser by clicking on «Signal level test» in the siren settings.

▲ IMPORTANT!

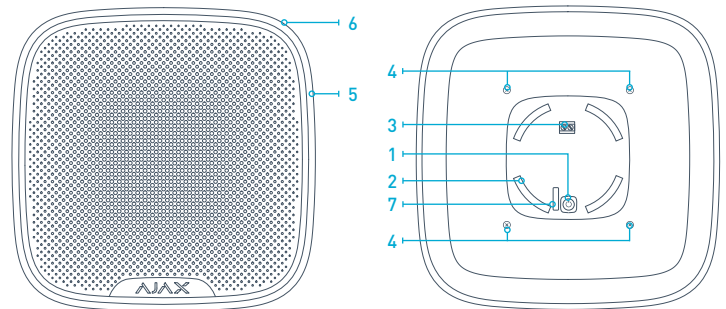
Radio communication tests for the siren don't start instantly. Some time is needed for the Hub to send a request for test to a siren, and for siren to send confirmation of its readiness to be tested. Usually, test start can take up to 5 seconds.

Test results are displayed in a mobile application or a web browser as 3-bar-indicators, as well as on a siren itself. Signal level test results may be as follows:

APPLICATION	SIREN'S LIGHT	DESCRIPTION
3 indication bars	lights almost constantly, with short breaks every 1.5 seconds	excellent signal level
2 indication bars	blinks 5 times per second	medium signal level
1 indication bar	blinks twice per second	bad signal level
0 bars	short flashes each 1.5 seconds	no signal

5. INSTALLATION

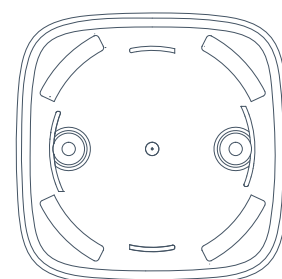
5.1 Install siren in the chosen location. Siren has a high class of dust and humidity protection IP54 that allows outdoor installation. It is recommended to install a siren at the height of 2.5m for to complicate offenders' access to it. Before final installation, it is required to check siren functioning in the supposed installation place! Do not place the siren in location where its sound signal can be deafened - inside furniture, behind thick curtains, behind furniture, etc.



PICTURE 1. Siren

- 1 - Power button
- 2 - SmartBracket holders
- 3 - DC 12V power input
(«+» left, «-» right)

- 4 - fixing screws
- 5 - LED light ring;
- 6 - LED light;
- 7 - SmartBracket's fixing screw hole



PICTURE 2.
SmartBracket fastening panel

5.2. For siren installation turn plastic SmartBracket fastening panel (PICTURE 2) counterclockwise and remove. Pay attention, on fastening panel there must be «Up» sticker, showing right way to place it.

5.3. If external 12V power supply will be connected to siren, in the SmartBracket an opening for wires must be drilled. Then you can install fastening panel by sliding wires into drilled opening and making sure that wires don't have a damaged insulation.

5.4. Secure SmartBracket fastening panel on the wall using supplied dowels and screws. SmartBracket panel is provided with screw hampering its unauthorized removal.

▲ IMPORTANT!

Be careful when installing the fastening panel. Excessive force during its fixation may lead to deformation and, as a consequence, the impossibility to install a siren or insecure fixing. Secure fastening panel only with supplied mounting tools! Use of other fasteners, such as screws of larger diameter may result in fastening panel damage.

Do not use double-sided tape to secure siren! The tape eventually dries out and loses its properties. It may cause siren's fall, what will not allow it to perform its function and can result in damage to the device

5.5. Put the siren on SmartBracket, firmly attaching it to the fastener and turning it clockwise. The siren is installed!

▲ IMPORTANT!

By default, the siren is not activated when it's accelerometer detects movement (dismount alarm), because it is very likely that device will be installed and removed during installation several times. To activate siren's dismount alarm, you need to specify appropriate option (Alert if Moved) in the siren settings using mobile application or web browser. Apply these settings only after final siren installation!

Built-in accelerometer needs about a minute to stabilize the position! Therefore, to check alarm operation when you try to remove it is possible not earlier than one minute after the final siren installation!

During siren body opening the alarm is always generated and it is impossible to disable it in the siren settings! When removing back cover of the siren to replace the batteries, first switch off the siren with power button '1' (PICTURE 1), holding it for 3 seconds. When you switching off the siren, it will switch on light ring for 1 second, then quickly blink 3 times and then will be switched off. In armed mode when you try to remove or open the siren alarm (light and sound) is generated immediately! Sirens' light and sound alarm operating time (from 3 seconds to 3 minutes) is configured in a mobile application or a web browser.

6. WORK INDICATION

6.1 When the siren is in armed mode, it signals about it by LED light «6» (PICTURE 1), briefly blinking every 30 seconds. By default, blinking is off; you can enable it in the siren settings using mobile application or browser.

6.2 If a siren is connected to a 12V wire power supply, in case of a stationary power loss the siren will automatically start working on batteries. At this moment alert about stationary power loss is coming to mobile application. LED indication on stationary power supply loss is not performed not to discharge the batteries.

6.3 When switching on armed mode the siren briefly beeps once and light ring blinks for 1 second. When switching to disarmed mode the siren briefly beeps twice and blinks with light ring twice. This feature is switched off by default.

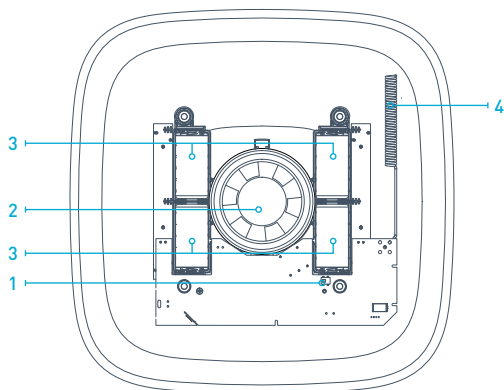
7. VOLUME SETTING

7.1 Siren volume can be adjusted in the siren settings through a mobile application or a web browser. Volume slider allows to change the siren volume from 85 dB to 113 dB.

7.2 To check siren volume it is recommended to set sounding time to a minimum (3 sec) and press keyfob's alarm button.

8. MAINTENANCE

8.1 Once in 6 months clean the siren body from dust, cobwebs and other possible contaminants.



PICTURE 3. Battery compartment

1 – tamper button
2 – siren's buzzer

3 – CR123A batteries
4 – antenna

8.2 Replace batteries with new in time! When battery discharges, the siren transmits the "battery low" signal to the Hub. Also, when the batteries are low, arming or disarming is accompanied by siren's LED light one-time activation and smooth dimming.

To replace the batteries first disable the "Alert if Moved" option in siren settings, then remove siren and switch it off by holding the power button for 3 seconds. Then unscrew 4 screws on the back side of the body and remove top cover of the siren. Change 4 batteries (PICTURE 3) to new (CR123A type), following polarity. After replacing batteries, test the siren operability!

▲ IMPORTANT!

When working outdoor or in unheated premises, if ambient temperature is below zero degrees Celsius, the battery level may be reduced by a few percent. This is due to temperature reaction of chemical components of lithium batteries. Siren battery life depends on batteries quality and frequency of the siren alarms. At the average battery works for about 3 years. In light and sound alarm mode new batteries charge is sufficient for continuous siren sound at full volume for approximately 2 hours.

9. WARRANTY

9.1 The warranty period for the siren is 24 months. Warranty does not apply to the batteries!