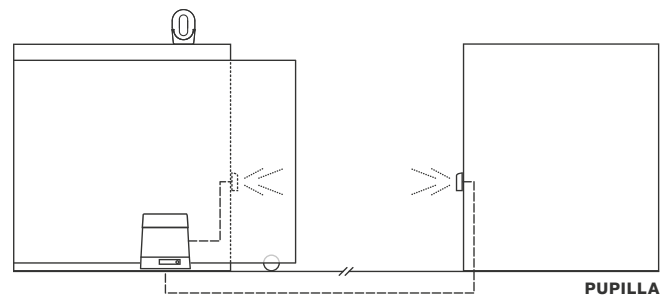
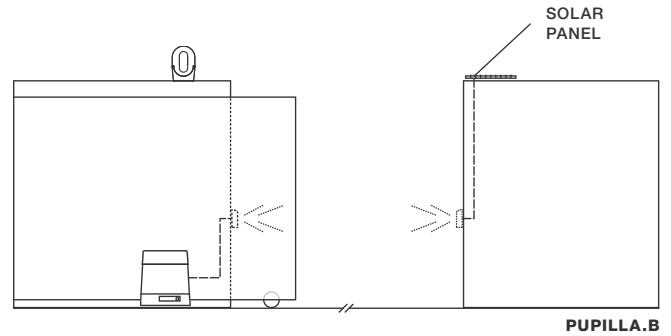




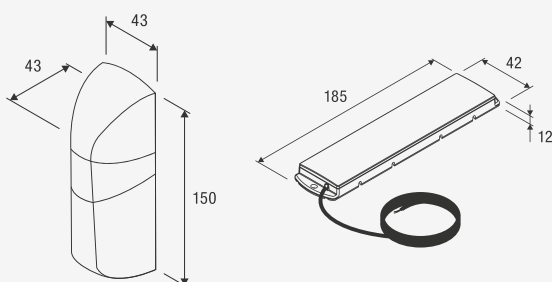
PHOTOCELLS

BENINCA100%
Made in Italy

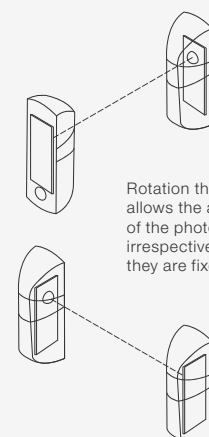
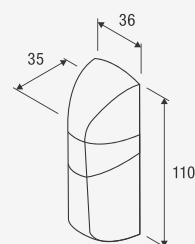
PUPILLA.B

- Photocell's transmitter powered by battery
- The innovative battery charging system using a photovoltaic panel represents an authentic novelty distinguishing PUPILLA.B, guaranteeing maximum safety and perfect operation to any plant
- Possibility of connecting up to 2 photovoltaic panels in case of non optimal climate conditions
- Continuous operation without any need of maintenance
- PUPILLA.B allows compliance with safety regulations even on installations that do not have incorporated safety systems thanks to the transmission of the controls even on moving gates
- The photocells can be oriented in different directions to make installation even easier

□ PUPILLA.B



□ PUPILLA | PUPILLA.T



Rotation through 180° allows the alignment of the photocells irrespective of the way they are fixed to the base.



PUPILLA.B

Pair of externally fitted photocells, turning through 220°. Photovoltaic panel to charge transmitter battery. Presence of led with diagnostic function.



PUPILLA | PUPILLA.T

PUPILLA: Pair of photocells adjustable to 180°. Possibility to synchronise up to 4 pairs, 22÷30 Vac/20÷28 Vdc power supply. Easy adjustment through a LED that signals optimal alignment.
PUPILLA.T: Pair of photocells adjustable to three positions. Two pairs can be installed close to each other without synchronization. 14÷30 Vac/12÷30 Vdc power supply.



FTC.S

24 Vac/dc surface mounting photocell. It is possible to synchronise up to 4 pairs of photocells. They can be fitted also on COL05N, COL10N and COL12N aluminium columns.



SC.P30QIS

24 Vac/dc built-in mounting photocell. It is possible to synchronised up to 4 couple of photocells. SC.PD not included.

AUTOMATISMI BENINCÀ SpA • Via del Capitello, 45 • 36066 Sandrigo (VI) ITALY • T +39 0444 751030 • sales@beninca.com



IRI.CELL

Pair of vandal-proof metal covers for PUPILLA/PUPILLA.T photocells, comprising front and rear shells with concealed screw. They can maintain perfect orientation over 180°.



SF

Lateral support for FTC.S photocells. **2 pcs packing.**



SC.PD

Plastic container for recess SC.P30QIS. **2 pcs packing.**