



Page 2-18
Installation Manual
IP Video Door Station
D11x Series



Seite 19-35
Installationsanleitung
IP Video Türstation
D11x Serie



Page 36-52
Manuel d'installation
Interphone vidéo IP
Série D11x

D11x

INSTALLATION MANUAL

Read these instructions carefully before starting to use any components. Keep the manual so you can refer to it at a later date if required. If you hand over the device to other persons for use, please hand over the operating manual as well.

You can always find the most up-to-date version of the installation manual on www.doorbird.com/support. To make things easier we use the term "device" for the product "IP Video Door Station D11x series" and "mobile device" for a smartphone or tablet.

Liability

Every care has been taken in the preparation of this document. Please inform Bird Home Automation GmbH of any inaccuracies or omissions. Bird Home Automation GmbH cannot be held responsible for any technical or typographical errors and reserves the right to make changes to the product and manuals without prior notice. Bird Home Automation GmbH makes no warranty of any kind with regard to the content of this document, including, but not limited to, the implied warranties of merchantability and fitness for a particular purpose. Bird Home Automation GmbH shall neither be liable nor responsible for incidental or consequential damages in connection with the furnishing, performance or use of this material. This product is only to be used for its intended purpose.

Equipment Modifications

This equipment must be installed and used in strict accordance with the instructions given in the user documentation. This equipment contains no components that require service by the user. Unauthorized equipment changes or modifications will invalidate all applicable regulatory certifications and approvals.

Symbols used



Danger: Indicates a hazardous situation which, if not avoided, will result in death or serious injury.



Warning: Indicates a hazardous situation which, if not avoided, could result in death or serious injury.



Caution: Indicates a hazardous situation which, if not avoided, could result in minor or moderate injury.



Notice: Indicates a situation which, if not avoided, could result in damage to property.



Important: Indicates significant information which is essential for the product to function correctly.



Note: Indicates useful information which helps in getting the most out of the product.

Hazard information



WARNING

- Mounting, installation and servicing work on electrical devices may only be performed by a qualified electrician. Failure to observe this regulation could result in the risk of serious damage to health or fatal injury due to electric shocks.
- Devices with 110-240 V connection: The device may only be connected to an easily accessible power socket outlet. The mains adapter must be pulled out if a hazard occurs.
- For power supply, only use the original plug-in mains adapter delivered with the device or a recommended PoE-Switch/PoE-Injector as specified in this manual.
- Because of electrostatic charging, direct contact with the circuit board can result in destruction of the device. Direct contact with the circuit board must therefore be avoided at any time.
- Observe the EN 60065 resp. EN 60950 resp. EN 62368 standard.
- Do not use the device if there are signs of damage to the housing, control elements or connecting sockets, for example, or if it demonstrates a malfunction. If you have any doubts, please have the device checked by an authorized expert.
- Do not open the device. This voids the warranty of the device. The device does not contain any parts that can be maintained by the user. In the event of an error, please have the device checked by an authorized expert.
- For safety, approval and licensing reasons (CE/FCC/IC etc.), unauthorized change and/or modification of the device is not permitted.
- The device is not a toy; do not allow children to play with it. Do not leave packaging material lying around. Plastic films/bags, pieces of polystyrene, etc. can be dangerous in the hands of a child.
- Always lay cables in such a way that they do not become a risk to people and domestic animals.
- Voltage is applied to parts within the equipment. Do not touch any parts that are not associated with the installation, wiring, or connection. Electric shock could result.
- On devices which are not marked as weather-proof: Keep the device away from water or any other liquid.
- Do not install or make any wire terminations while power supply is plugged in. It can cause electric shock or damage to the device.
- Before turning on power, make sure wires are not crossed or shorted. If not, fire or electric

**WARNING**

shock could result.

- High voltage may be present internally. Do not open the device. Electric shock could result.
- The device is not of explosion-proof. Do not install or use near gases or flammable materials. Fire or explosion could result.
- Do not install two power supplies in parallel to a single input. Fire or damage to the device could result. Be sure to connect a single power supply to the device.
- Do not connect any terminal on the device to an AC power line. Fire or electric shock could result.
- Keep AC cord from being marred or crushed. If the AC cord is fractured, fire or electric shock could result.
- Do not plug or unplug with wet hands. Electric shock could result.
- Do not put any metal or flammable material into the device. Fire, electric shock, or device trouble could result.
- Existing wiring may contain high voltage AC electricity. Damage to the device or electric shock could result. Wiring and installation must be done by a qualified electrician.
- When mounting the device on a wall or ceiling, install the device in a convenient location, but not where it could be jarred or bumped. Injury could result.
- On devices with ground terminals, connect to an earth ground. Otherwise fire or malfunction could result.
- On devices with plastic or real glass, do not put high pressure on the glass. If fractured, injury could result.
- On devices with LCD, if LCD is punctured, do not allow contact with the liquid crystal inside. Injury could result. If necessary, gargle your mouth and clean your eyes or skin with clear water for at least 15 minutes and consult your doctor.
- Do not put anything on the device or cover the device with cloth, silicone, glue, coating, separate covering etc. Fire or device issues could result.
- Do not install the device in any of the following locations. Fire, electric shock, or device trouble could result.
 - Places under direct sunlight or places near heating equipment that varies in temperature.
 - Places subject to dust, oil, chemicals, hydrogen sulfide (hot spring).
 - Places subject to moisture and humidity extremes, such as bathrooms, cellars, greenhouses, etc.

- Places where the temperature is very low, such as inside a refrigerated area or in front of an air conditioner.
- Places subject to steam or smoke (e.g. near heating or cooking surfaces).
- Where noise generating devices such as dimmer switches or inverter electrical appliances are closeby.
- Locations subject to frequent vibration or impact.
 - On devices with intercom, be sure to perform a call test with low audio volume on both intercom devices. A sudden call etc. may arrive causing for example damage to your ear.
- If the device does not operate properly, unplug the power supply.
- All devices which are not marked as weather-proof are designed for indoor use only. Do not use outdoor.
- On devices which are marked weather-proof: Do not spray with high-pressure water. Device issues could result.
- We do not assume any liability for damage to property or personal injury caused by improper use or the failure to observe the
 - hazard information. In such cases, any claim under warranty ceases. For consequential damages, we assume no liability!

Safety instructions**NOTICE**

- The device shall be used in compliance with local laws and regulations.
- Store the device in a dry and ventilated environment.
- Avoid exposing the device to shocks or heavy pressure.
- Do not install the device on unstable brackets, surfaces or walls. Make sure the material is strong enough to support the weight of the device.
- Use only applicable tools when installing the device. Using excessive force with tools could cause damage to the device.
- Do not use chemicals, caustic agents, or aerosol cleaners.
- Use a clean dry cloth for cleaning.
- Use only accessories that comply with technical specification of the device. These can be provided by Bird Home Automation GmbH.
- Use only spare parts provided by or recommended by Bird Home Automation GmbH.
- Do not attempt to repair the device by yourself. Contact Bird Home Automation GmbH for service matters.

- Keep the device more than 1 m (3.3') away from microwave, radio, TV, wireless router and any other wireless devices.
- On devices with intercom or built-in speaker or built-in microphone or signal transmission functions, keep the wires more than 30 cm (12") away from AC 100-240 V wiring. AC induced noise and/or device malfunction could result.
- Install the device in an area that will be accessible for future inspections, repairs and maintenance.
- If the device is used close to a cellular phone, the device may malfunction.
- The device can be damaged if dropped. Handle with care.
- The device turns inoperative during power failure.
- On devices with intercom or built-in speaker or built-in microphone, in areas where cellular or Radio / TV broadcasting station antennas are closeby, the device may be affected by radio frequency interference.
- On devices with LCD screen, it must be noted in advance that the LCD panel, though manufactured with very high precision techniques, inevitably will have a very small portion of its picture elements always lit or not lit at all. This is not considered a device malfunction.
- On devices with intercom, due to the environmental sound around the device, it may hinder smooth communication, but this is not a malfunction.
- On devices with Username/Password, the Username/Password to access the device is the customer's responsibility. Make sure to use a password that cannot be easily guessed by a third party. We recommend that you change the Password on a regular basis.
- We will, under no circumstances, be liable for damage that occurs due to failures in power supply, network equipment or terminal devices; failures due to Internet providers and cellular network providers; failures such as disconnected lines and other losses in communication, which makes it impossible to provide this service as well as in any way delay this service due to any other causes outside of our responsibility; or if an error or missing data occurs during transmission.

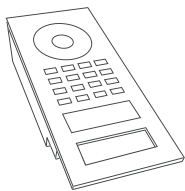
Transportation

NOTICE When transporting the device, use the original packaging or equivalent to prevent damage to the device.

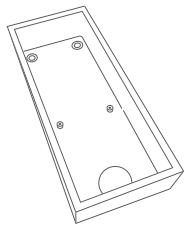
Warranty Information

For information about the device warranty, see www.doorbird.com/warranty

COMPONENTS*



1x Main Electrical Unit with call button(s) and front panel



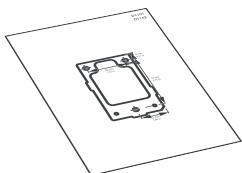
1x Back-housing with wall-mounting bracket



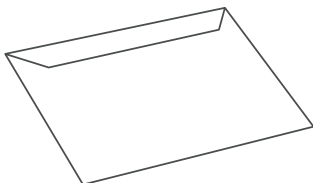
1x Installation manual



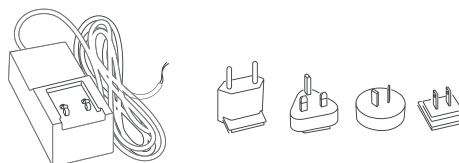
1x Quickstart guide with Digital Passport



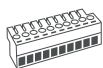
1x Drilling template



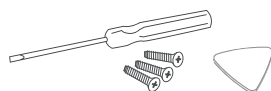
1x Waterproof A4 laser printer paper for labelling name plates



1x Power supply unit (mains adaptor) with four country-specific adaptors



1x Screw connection terminal plug

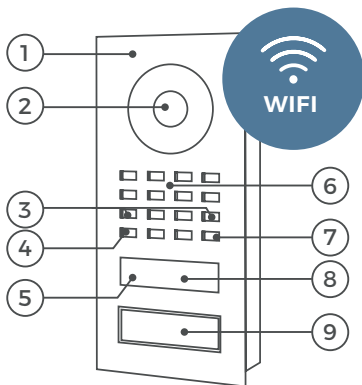


Small parts

* The sketches in this manual may differ from the purchased model.

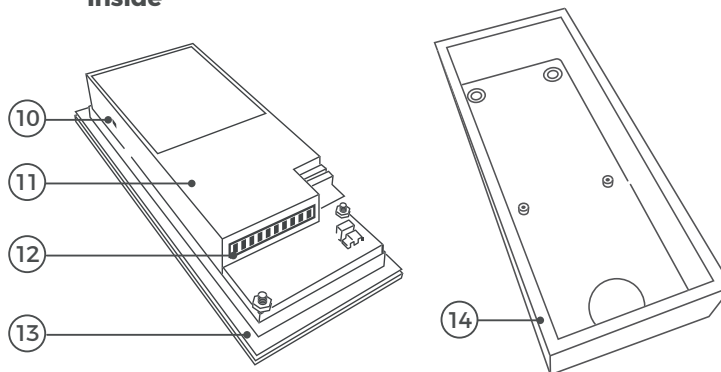
DEVICE WITH 1 CALL BUTTON

Front



- 1) Front panel
- 2) HDTV Video
- 3) Security screws
- 4) Light Sensor
For night-vision mode
- 5) Bluetooth transceiver
- 6) Speaker
- 7) Microphone
- 8) 4D Motion sensor
- 9) Illuminated call button with nameplate

Inside

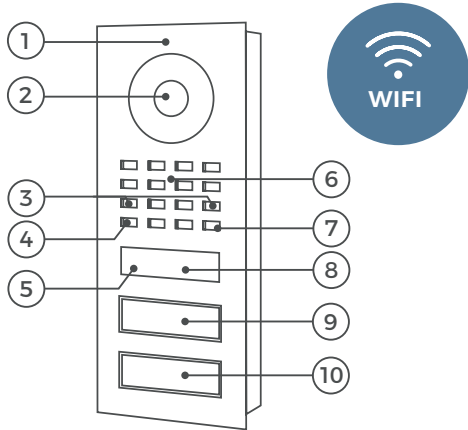


- 10) Diagnostic-LED
Lights up a few seconds after connecting the device to power
- 11) Main Electrical Unit
- 12) Screw connection terminal
- 13) Gasket
- 14) Housing with wall-mounting bracket

The flush-mounted model may differ optically.

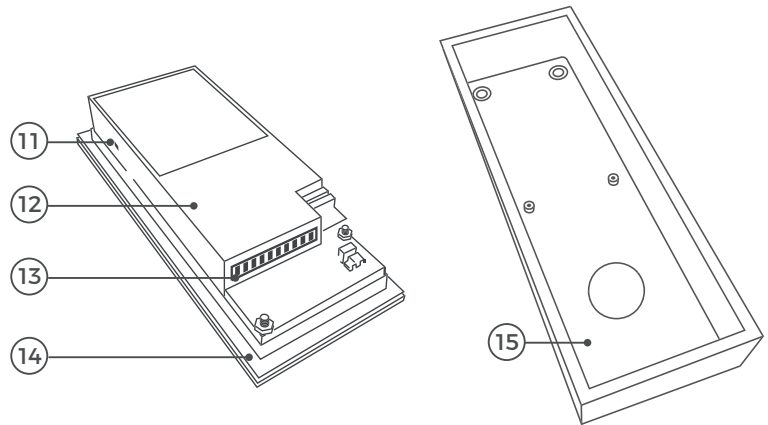
DEVICE WITH 2 CALL BUTTONS

Front



- 1) Front panel
- 2) HDTV Video
- 3) Security screws
- 4) Light Sensor
For night-vision mode
- 5) Bluetooth trceiver
- 6) Speaker
- 7) Microphone
- 8) 4D Motion sensor
- 9) First illuminated call button with nameplate
- 10) Second illuminated call button with nameplate

Inside

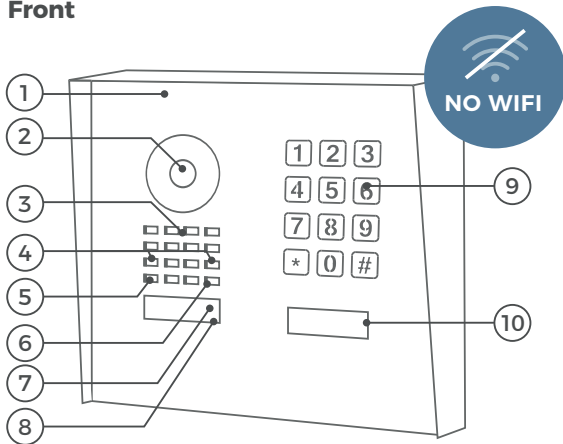


- 11) Diagnostic-LED
Lights up a few seconds after connecting the device to power
- 12) Main Electrical Unit
- 13) Screw connection terminal
- 14) Gasket
- 15) Housing with wall-mounting bracket

The flush-mounted model may differ optically.

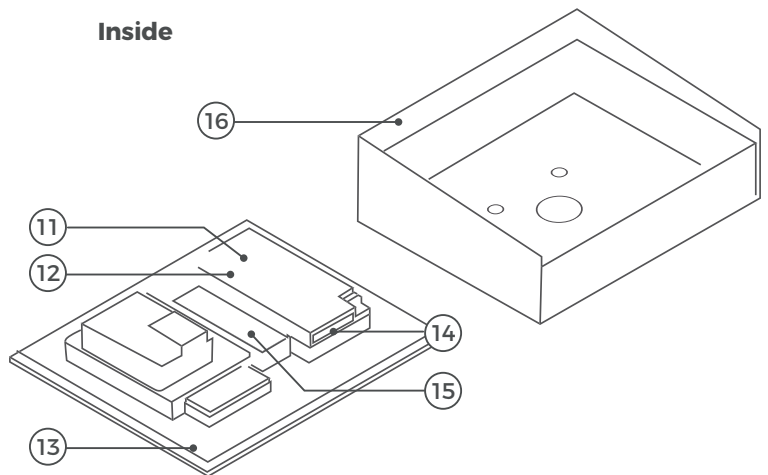
DEVICE WITH KEYPAD MODULE

Front



- 1) Front panel
- 2) HDTV Video
- 3) Speaker
- 4) Security screws
- 5) Light Sensor
For night-vision mode
- 6) Microphone
- 7) Bluetooth trceiver
- 8) 4D Motion sensor
- 9) Keypad Module
The illumination is also acting as Diagnostic LED(s)
- 10) Illuminated modern call button (with nameplate) or illuminated classic call button (round)

Inside



- 11) Main Electrical Unit
- 12) Diagnostic-LED
Lights up a few seconds after connecting the device to power
- 13) Gasket
- 14) Screw connection terminal
- 15) Holder for 2-Wire Ethernet PoE Converter A1071 (optional)
- 16) Housing with wall-mounting bracket

The flush-mounted model may differ optically.

VIDEOS

Need help with the installation? Be sure to watch our installation videos which can be found on <http://www.doorbird.com/support>

Each individual step of the installation is clearly documented in the videos.

INSTALLATION

All the steps below should be carried out carefully by a competent adult, taking into consideration any applicable safety regulations. Please contact us directly or seek the advice of a competent specialist.



Please ensure that all wires used for the installation are undamaged along their entire length and approved for this type of use.

Network speed and network components

Please ensure that the upload speed of your Internet connection is at least 0.5 Mbps. The user experience is only as good as your network speed, network stability and quality of your network components, such as your Internet Router and WiFi access points or WiFi repeaters. Please also make sure that your network components are no older than two years old, have been manufactured by a well-known manufacturer, and have the latest firmware installed.

Should these requirements not be fulfilled, it may occur, for example that the performance of audio and video is poor or push notifications are delayed or do not arrive on your smartphone or tablet at all.

Requirements:

High-speed Internet (via landline): DSL, cable or optical fibre

Network: Ethernet, with DHCP

1

SWITCHING OFF POWER



Switch off the power to all wires leading to the assembly location, i.e. the door chime, electric door opener, power supply unit for the video door station etc.

2

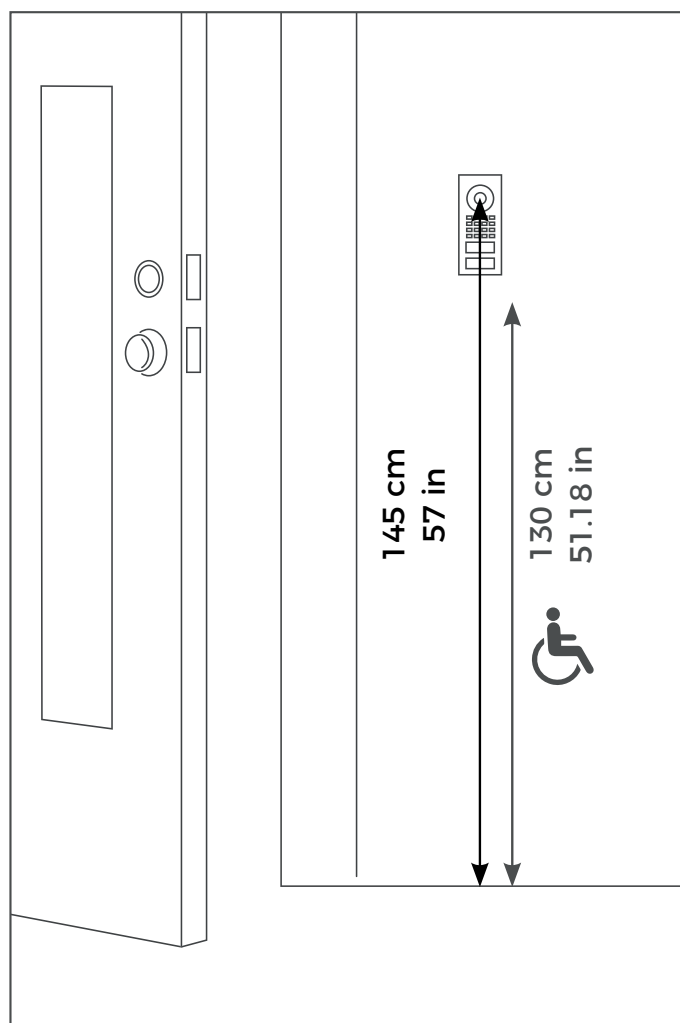
DISMANTLING THE EXISTING DOORBELL

Should there already be a doorbell or door station on the exterior wall of the house, please remove it.

3

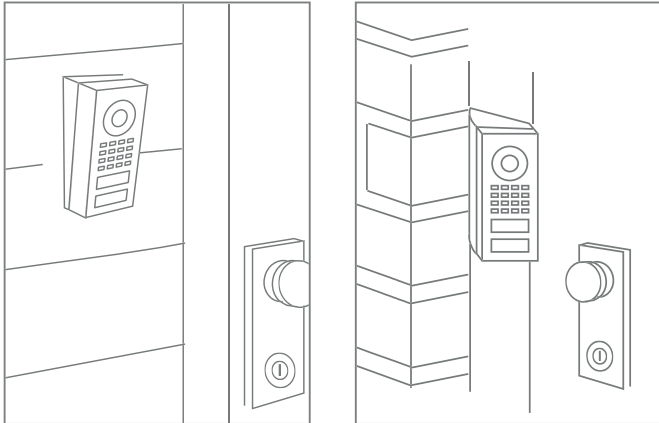
DETERMINING THE ASSEMBLY LOCATION

The device uses an ultra wide-angle hemispheric lens so that even when the person is a minimum distance of 50 cm (19.68 in) away from the device, a low installation height is sufficient. The lens is therefore not mechanically adjustable. The camera lens should be located at an altitude of at least 145 cm (57 in). You may check this prior to the final mounting.



Only for D1101V & D1102V

We offer additional wall-mounting kits for D1101V and D1102V Surface-Mount with a wedge corner wall-mount adapter (7.5° vertical down or up) and alternatively an angle corner wall-mount adapter (45° horizontal, mounts left or right).



A8001 Wedge corner wall-mount adapter (7.5°, mounts vertical down or up), sold separately

A8002 Angle corner wall-mount adapter (45° horizontal, mounts left or right), sold separately

When choosing the assembly location, consider the lighting conditions. Avoid direct sunlight, direct backlight and reflective surfaces.



Do not expose the device to direct sunlight. The housing temperature can exceed the maximum allowed temperature limit. This can result in damage of electric and mechanic components of the device and injuries especially when touching exterior parts of the device. White and bright silver-colored front plates absorb less sunlight than dark ones.



An image sensor must not be exposed to direct sunlight for an extended period of time. Direct sunlight will “blind” the camera and may permanently bleach the small color filters on the image sensor chip.

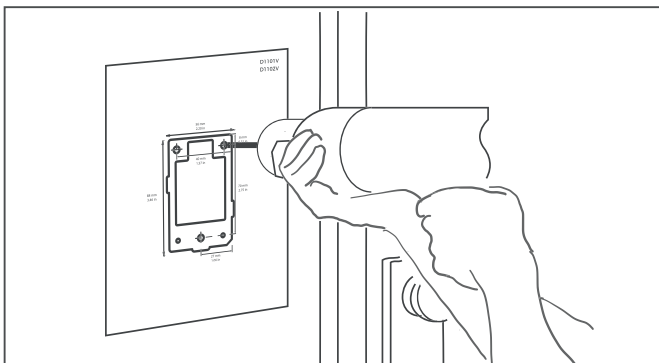


Any defects caused by direct sunlight are not covered by warranty.

4

ASSEMBLING THE MOUNTING HOUSING

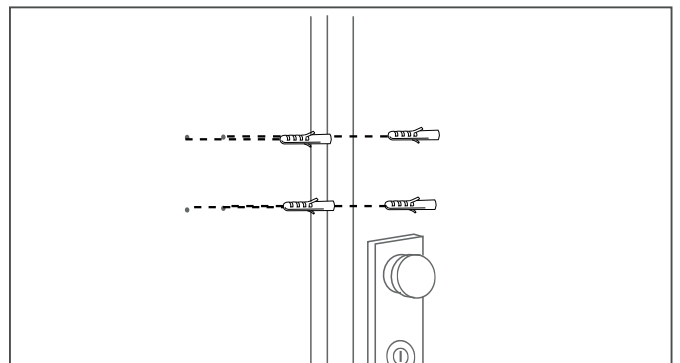
The product is available as a surface-mounted and flush-mounted version. In the flush-mounted version, the front panel is slightly larger to better cover the hole in the wall and the mounting housing (backbox) is made entirely of metal instead of plastic.



If you use the flush-mounted housing, lever up the wall accordingly.

If the wall of the house is not made of wood, you

should drill dowel holes 5 mm (0.19 in) in diameter in the wall according to the drilling template and then place the dowels provided into the boreholes.



If the wall of the house is made of wood, dowels are not normally required. There are special dowels for assembling the device on an insulating wall, e.g. Fischer insulating dowels.



If you must drill holes in a wall, insert screws into a wall or lever up a wall, ensure that no cables or mains (gas, water, etc.) are to be found in the wall.

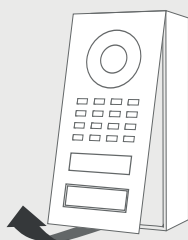
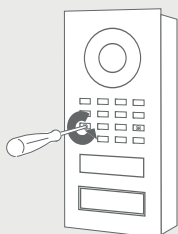
4.1 ASSEMBLING THE FRONT PANEL

Remove the front panel with the attached Main Electrical Unit carefully from the mounting housing (backbox) using the screw driver provided.

i We have designed the front panel and safety screws in a way that they cannot be screwed through the front panel so that they do not fall off / get lost during installation.

D1101V & D1102V

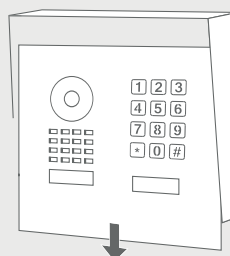
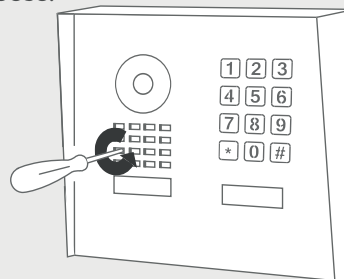
Turn the safety screws counter-clockwise until they are loose.



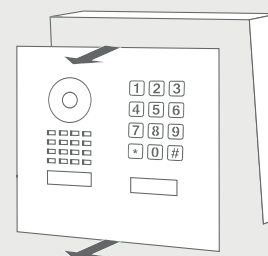
Pull the front panel with attached Main Electrical Unit out of the mounting housing (backbox).

D1101KH

Turn the safety screws counter-clockwise until they are loose.



Pull down the front panel.

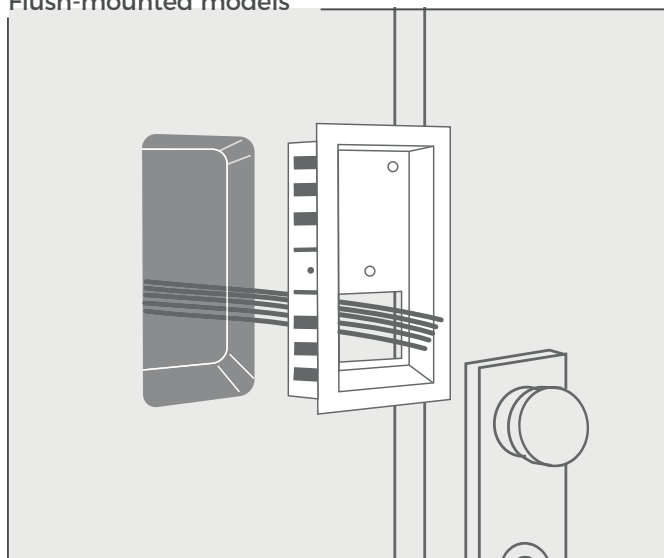


Pull the front panel with attached Main Electrical Unit out of the mounting housing (backbox).

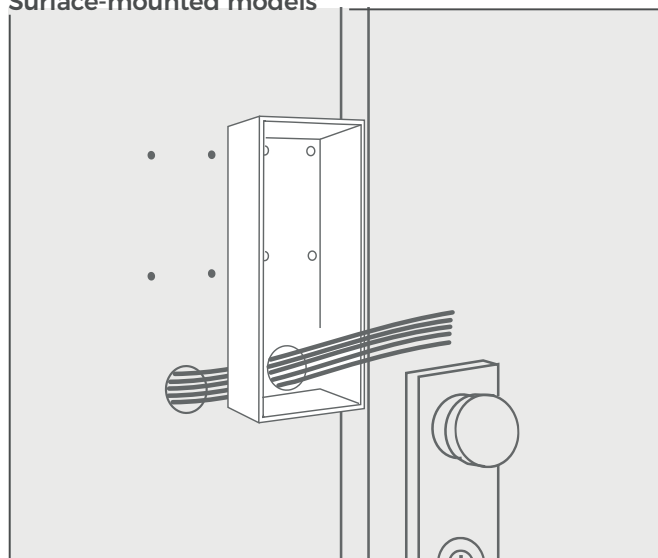
4.2 MOUNTING

Lead all cables and wires you want to connect to the device through the mounting housing.

Flush-mounted models

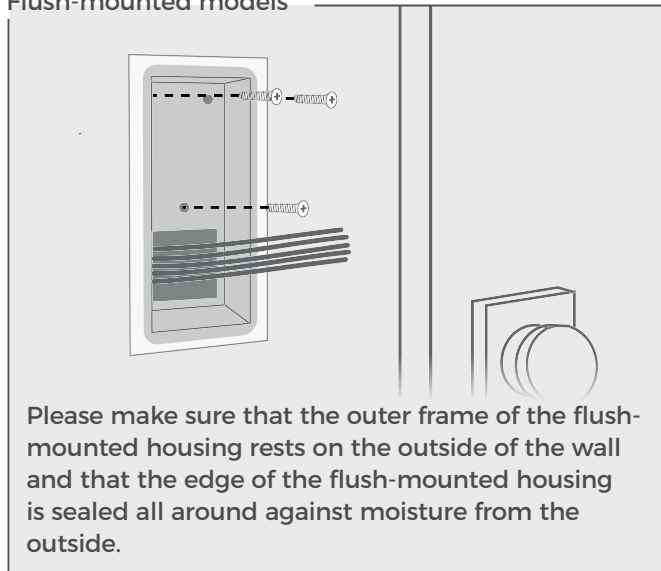


Surface-mounted models



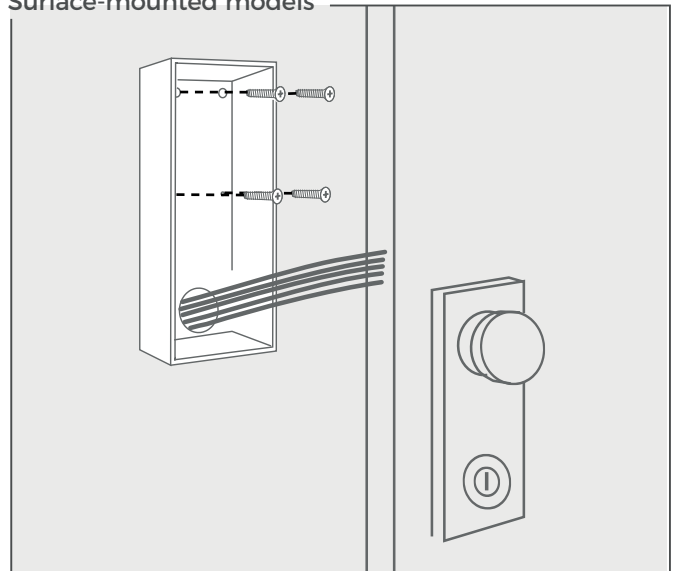
Screw the wall-mounting bracket of the mounting housing to the wall.

Flush-mounted models



Please make sure that the outer frame of the flush-mounted housing rests on the outside of the wall and that the edge of the flush-mounted housing is sealed all around against moisture from the outside.

Surface-mounted models



5

NETWORK CONNECTION OPTIONS

You can connect the device to the network by either using a WiFi 2.4 GHz connection (only for D1101V and D1102V) or a network cable.

OPTION 1

Network cable
(recommended, maintenance free)



Install a network cable (which is plugged into a network switch / router with Internet access) from the inside of your building to the assembly location. The network cable between the assembly location and the network switch / router can have a maximum length of 80 m/262 ft (IEEE 802.3). If you must span a distance of more than 80 meters/262 feet you can put a network switch in between.



If you have only two wires available at the assembly location, you may use the “DoorBird 2-Wire Ethernet PoE Converter A1071”, sold separately. It allows you to transfer network data (Ethernet) and power (PoE) with a simple two-wire cable over long distances. For example, existing buildings with a simple two-wire bell wire can be equipped with network technology without having to retrofit any network cables.

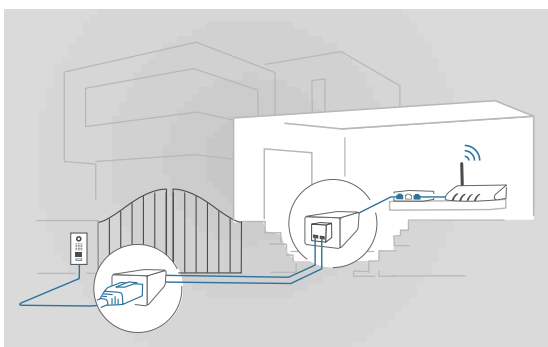
OPTION 2

WiFi 2.4 GHz
(only for D1101V and D1102V)



For reasons of network stability, we principally recommend using a network cable, as WiFi is sensitive to interference (range, house walls acting as shields, reliability of performance, third party WiFi networks, wireless transmitters causing interference in the area, etc.).

When using WiFi please make sure you have a good WiFi signal at the assembly location of the device. You can increase the WiFi signal by using so called “WiFi repeaters”, which can boost your WiFi signal. You should install such a WiFi repeater close to the assembly location of the device, typically inside your home and close to the device.



6

PREPARE POWER SUPPLY

The device does not have a battery as power supply, therefore, choose one of the following options.

OPTION 1

Power supply using the power supply unit (mains adaptor)



To power the device using the provided mains adapter, 2 insulated wires are required. The power supply unit has a 300 cm (9.8 ft) long cable with two insulated wires. The network connection is then established via a network cable or alternatively via WiFi.



The provided mains adaptor is only capable to power one device. It is not designed to power multiple devices simultaneously.

If you must power more than one device with one power supply, we recommend to use a PoE-Switch with PoE Standard IEEE 802.3af Mode A or an appropriate DIN rail power supply (see "OPTION 3").



Do not plug the power supply unit into the wall socket yet.

Only use the power supply unit provided along with the device, or a DIN-rail power supply unit (see "OPTION 3") that you can obtain from us separately, since this has been specially stabilized electrically and is equipped with an integrated audio interference reduction device. Other power supply units may destroy the device or cause poor transmission quality. The warranty automatically expires if you use a different power supply unit.

The power supply unit is plugged into a wall socket inside your house (Step 10), usually where the two wires from your assembly location come out of the wall in the interior of the house.



The provided mains adapter is not outdoor-ready, it is for indoor-use only.

OPTION 2

Power supply and network connection using PoE (Power over Ethernet)



To power the device via a PoE-Switch (e.g. D-Link DGS-1008P) or PoE-Injector (e.g. DoorBird Gigabit PoE Injector A1091), use a CAT.5 cable or higher in accordance with the PoE standard IEEE 802.3af Mode A.

A CAT.5 cable or higher must be used for this purpose, as network signals can only be transmitted over completely insulated, shielded and twisted cables. If you use PoE as a source of power, the four wires for PoE then simultaneously form the data line. The device will not start if your PoE-Switch/PoE-Injector does not support the PoE Standard IEEE 802.3af Mode A.



If you must power more than one device with one power supply, we recommend to use a PoE-Switch with PoE Standard IEEE 802.3af Mode A or an appropriate DIN rail power supply (see "OPTION 3").



Theoretically (not recommended by us!), an unshielded, but over the whole length (max. 80 m/262 ft) twisted bell wire with two pairs of wires (first twisted pair of wires: "T+, T-", second twisted pair of wires "R+, R-") can be used for the network and PoE transmission as an alternative to a Cat.5 network cable or better. This is comparable to a Cat.3 network cable. In this case, however, we cannot guarantee the data throughput or the stability of the network connection and power supply; this must be measured and checked on site by qualified personnel over several hours (network data is transmitted at high frequency, therefore a shielded Cat.5 network cable twisted in pairs or better must normally be used).



Do not combine the power supply from the power supply unit (mains adaptor) with the power supply via PoE.

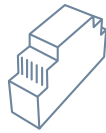
You can find further information about PoE here: <http://www.doorbird.com/poe>



1. Disconnect the PoE-Switch or PoE-Injector from the power grid.
2. Place the network cable in the installation site of the device.

OPTION 3

Power supply using a DIN rail power supply unit



Alternatively to the mains adapter, we offer DIN rail power supplies in our online shop, which can be installed by a specialist. The network connection is then made via a network cable or alternatively via WiFi.



If you must power more than one device with one power supply, we recommend to use a PoE-Switch with PoE Standard IEEE 802.3af Mode A or an appropriate DIN rail power supply.

7

CONNECTING THE DEVICE

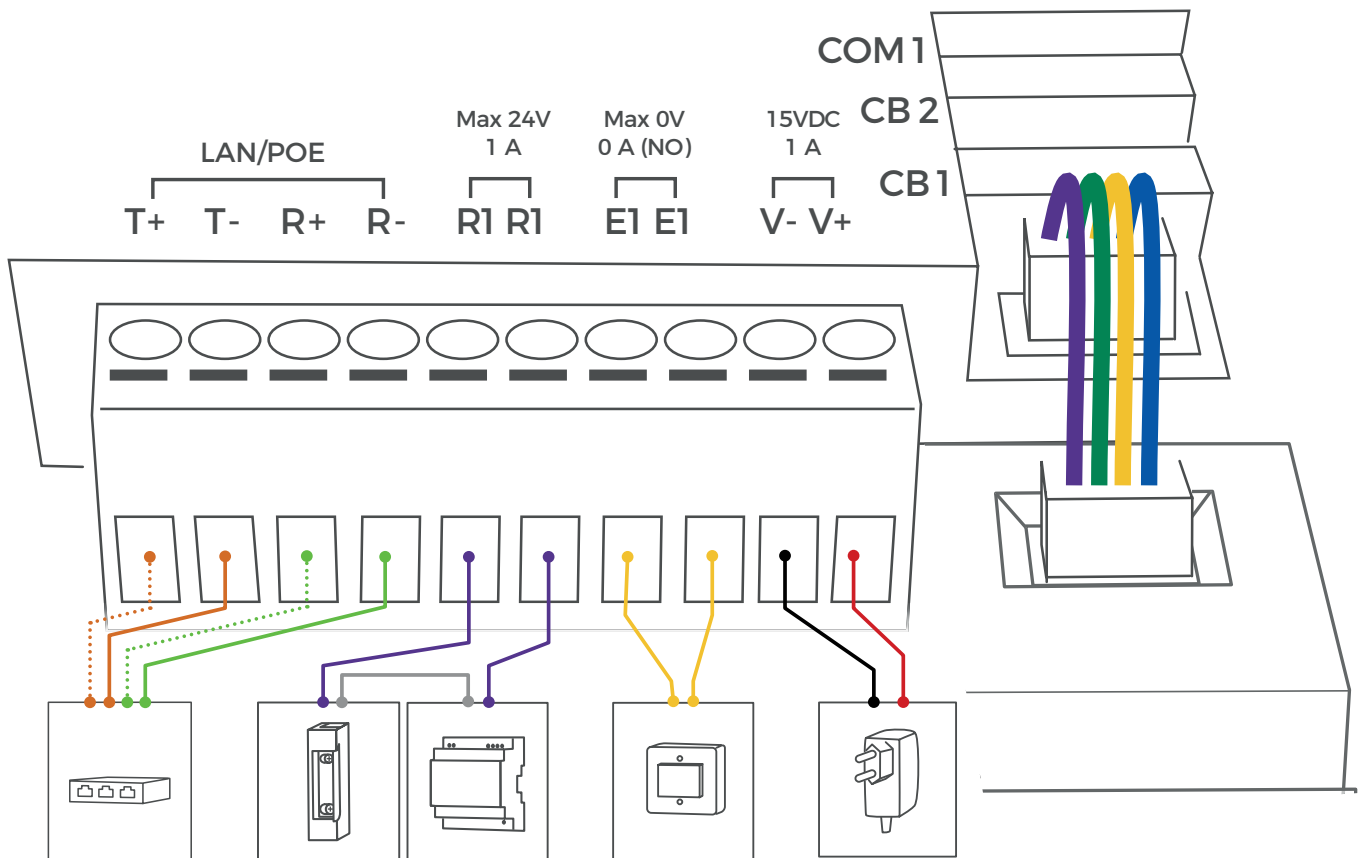
It is possible to connect the cables and wires to the device conveniently and safely via the labeled screw connection terminal. You can connect all necessary cables and wires to the device now.

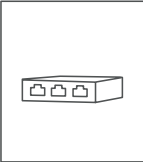








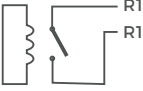
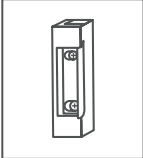

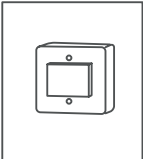

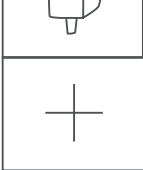


For easier installation we strongly recommend to remove the plug from screw connection terminal while you connect the cables and wires.




Please remove any cables and wires from the connection ports of the device that you do not need.



Port	Description
LAN/POE	<div data-bbox="276 163 419 324">  </div> <p data-bbox="459 159 1401 282">The device does not have an integrated standardized RJ45 socket to ensure ...</p> <ul data-bbox="459 192 1362 282" style="list-style-type: none"> • that the device rests as flat as possible on the wall. • that no wall needs to be levered up. • that a strong and inflexible Cat.6 or Cat.7 installation cable can be used. <p data-bbox="459 320 1417 376">Use only four wires (1, 2, 3 and 6) of a standard Network cable Cat.5 or better, coming from the Internet Router/PoE-Switch/PoE-Injector.</p> <p data-bbox="459 414 804 436">Cat.5 / Cat.6 Network cable</p> <ul data-bbox="276 450 1347 600" style="list-style-type: none">  T+ White and orange network cable wire (Number 1, Transmit Data +)  T- Orange network cable wire (Number 2, Transmit Data -)  R+ White and green network cable wire (Number 3, Receive Data +)  R- Green network cable wire (Number 6, Receive Data -) <p data-bbox="459 638 963 660">Cat.7 Network cable (Installation cable)</p> <ul data-bbox="276 683 1474 862" style="list-style-type: none">  T+ White network cable wire from pair "orange/white" (Number 1, Transmit Data +)  T- Orange network cable wire from pair "orange/white" (Number 2, Transmit Data -)  R+ White network cable wire from pair "green/white" (Number 3, Receive Data +)  R- Green network cable wire from pair "green/white" (Number 6, Receive Data -) <p data-bbox="459 898 1449 954">NOTICE Do not power the device simultaneously via the power supply from the power supply unit (mains adaptor) and the power supply via PoE.</p>
R1, R1	<div data-bbox="97 1061 240 1151">  </div> <div data-bbox="276 1021 419 1178">  </div> <p data-bbox="459 1016 1422 1200">Bi-stable latching relay #1, max. 24 V DC/AC, 1 A. Security feature: The relay keeps its state even in the case of loss of power. You can configure the default state of the relay (open/close) via the DoorBird App. These ports can be used to connect e.g. an electric door opener. The device does not supply power to the connected device. The power supply for the electric door opener must be installed separately.</p> <p data-bbox="459 1234 1474 1458">  When wiring an electric door opener directly to a door station, there is a risk that the electric door opener could be tampered by unauthorized third parties (e. g. by breaking the door station and short-circuiting the wiring of the door opener). Therefore, we generally recommend the use of a remote safety relay mounted indoors (e. g. DoorBird I/O Door Controller A1081) for wiring an electric door opener for a more secure installation in your home. </p>
E1, E1	<div data-bbox="276 1491 419 1648">  </div> <p data-bbox="459 1487 1461 1576">Digital input (0 V, 0 A (NO)), for door opener button, max. 0 V DC/AC, 0 A. These ports can be used to connect e.g. a door opener button inside the home. It will can trigger the bi-stable latching relay of the device (R1, R1)</p> <p data-bbox="459 1610 1430 1671">NOTICE Please make sure to add no voltage on these ports. Extra voltage may destroy the device immediately.</p>
15 VDC -	<div data-bbox="276 1704 419 1816">  </div> <p data-bbox="459 1700 1437 1789">15 V DC Power supply input, negative pole (-). Please connect the black wire of the power supply unit (mains adaptor) supplied with this device if you do not power the device using PoE.</p> <p data-bbox="459 1823 1458 1883">NOTICE Do not power the device simultaneously via the power supply from the power supply unit (mains adaptor) and the power supply via PoE.</p>
15 VDC +	<div data-bbox="276 1917 419 2085">  </div> <p data-bbox="459 1912 1449 2002">15 V DC Power supply input, positive pole (+). Please connect the red wire of the power supply unit (mains adaptor) supplied with the device here, if you do not power the device using PoE.</p> <p data-bbox="459 2036 1449 2096">NOTICE Do not power the device simultaneously via the power supply from the power supply unit (mains adaptor) and the power supply via PoE.</p>

COM 1	Jack for authorized peripherals of Bird Home Automation which will be released in the future, e.g. keypad
CB 2	Jack for second call button.
CB 1	Jack for first call button.

NOTICE The jacks "CB1", "CB2" and "COM1" on the rear side of the Main Electrical Unit must only be used to connect components certified by Bird Home Automation.

CALL BUTTON PORT 

SWITCH (4 PIN) Use the four wire call-button cable provided to connect the call-button to the Main Electrical Unit (already connected in delivery condition to the jack "CB1"/"CB2").

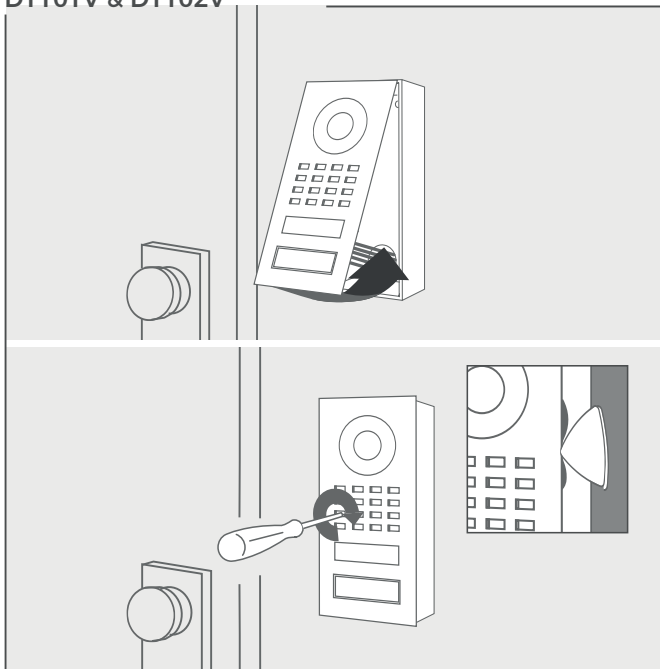
NOTICE Please take care when connecting the cables and wires. Connecting the cables and wires the wrong way may damage the device. Wires without insulation material must not protrude out of the green screw connection terminal, it may lead to electrical short and damage the device.

8

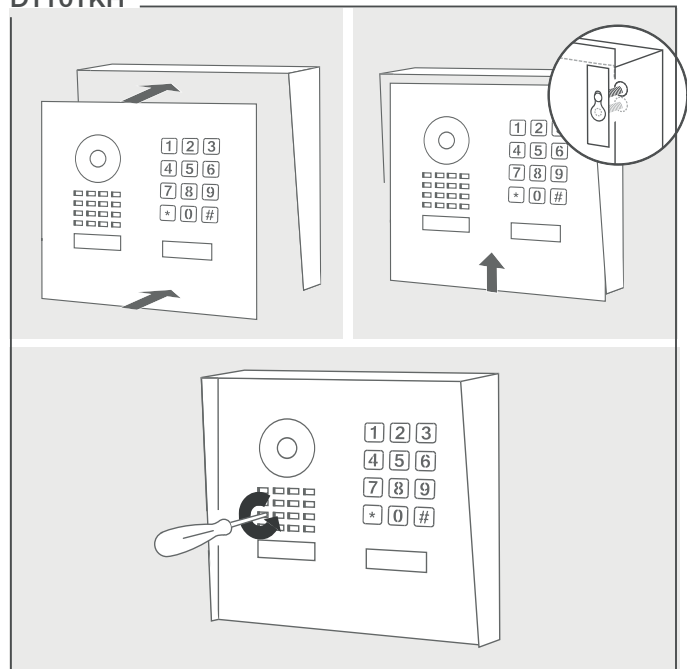
ASSEMBLE THE DEVICE TO THE MOUNTING HOUSING (BACKBOX)

Assemble the front panel with the attached Main Electrical Unit carefully using the screwdriver provided to the mounting housing.

D1101V & D1102V



D1101KH



Turn the safety screws clockwise until they are firmly tightened.

NOTICE Tighten the safety screws by hand only (less than 5 newton meter [Nm]), otherwise the Main Electrical Unit housing may be damaged.



If any of the black foam rubber gasket under the front panel protrudes, you can carefully press it in with the triangle tool provided in the small parts bag. Please do not press too hard, so that the gasket is not pressed too far into the inside of the housing and the unit will have a leak.

9

ACTIVATE THE DEVICE

If the device is to be supplied with power by a mains adapter, plug the power adapter of the device into a wall socket. If the device is to be powered via PoE, switch on the PoE-Switch/ PoE-Injector which is connected to the device. If the device is to be powered via DIN-rail power supply, switch on the DIN-rail power supply.

The Diagnostic-LED indicates whether the device is supplied with power. This LED lights up in green color a few seconds after you have connected the device to the power supply. The device is now ready for operation.

If the Diagnostic LED does not light up, please check the power supply. When using a wall-plug power supply and not PoE please check whether you have connected the positive pole and negative pole to the device correctly.

The device is ready for operation (booting up process, any software updates, etc.) once it has emitted a short diagnosis sound from the integrated loudspeaker. This may last for up to 5 minutes.

10

DOWNLOADING AND INSTALLING THE APP

Download the “DoorBird” App by Bird Home Automation onto your mobile device from the Apple App Store or Google Play Store. You can always find the most up-to-date version of the App manual on www.doorbird.com/support

If you use WiFi for connecting the device to your Internet Router, first go to the DoorBird App > “WiFi Setup” and follow the instructions.

If you have finished the WiFi setup or have connected the device to your Internet Router by means of a network cable, go to the DoorBird App > “Add device” and click on the QR code icon in the “User” field. Scan the user QR code found on the “Digital Passport” provided with the device.

If you have problems adding the device to the App please check if the device is online (www.doorbird.com/checkonline). If the device is not online, please check the WiFi or network cable connection again.

DIAGNOSTIC-LED

You can see if the device is powered by checking the Diagnostic LEDs, which lights up a few seconds after the power is connected.

The Diagnostic-LED is designed to illuminate only slightly.

DIAGNOSTIC-SOUNDS

After around one minute, the device emits brief diagnostic sounds after it has been connected to power supply / network / internet.

LENS

The product uses a straightened Wide-Eye hemispheric lens (HD). Due to the wide angle of coverage (horizontal, vertical, diagonal), a small edge may appear in the corners of the image as well as reflections in the image from the surface of the front of the unit.

MOTION SENSOR

The device has a built-in Motion Sensor with 4D Technology. You can use it for numerous applications, e. g. to send an alarm to a mobile device or to switch a relay to turn on an outdoor light.

The adjustable distance is optimized for a 1.75m (69 in) tall 70kg (165 lbs) person in a free environment. The accuracy of the distance of the motion sensor can vary depending on the environment.

BLUETOOTH TRANSCEIVER

The device has a built-in Bluetooth® transceiver. We will add further functionality for interesting applications soon. Please check our company news blog or the latest version of this manual at www.doorbird.com/support for updates.

API

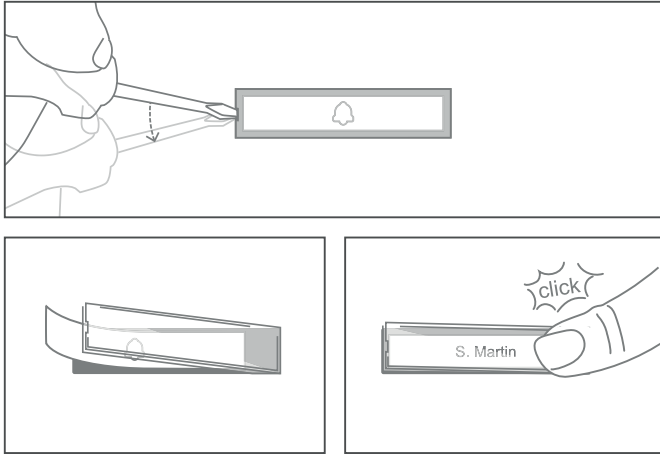
The device features a well documented API for third-party integration. For information, terms and conditions see www.doorbird.com/api

DOORBIRD CONNECT

The device features many options to integrate it into third-party applications. For information, terms and conditions see www.doorbird.com/connect

CHANGING THE LABEL OF A CALL BUTTON NAMEPLATE

Applies only to devices with 1 and more illuminated call buttons with nameplate.



MAINTENANCE OF THE FRONT PANEL

Cleaning and maintenance instructions

All of our front panels are made of high-quality materials and are designed for a durable lifetime. Since door stations are usually installed in unprotected outdoor areas, they are exposed to adverse weather conditions and aggressive substances, especially close to frequently used roads, in coastal and industrial areas. Therefore, please consider the following care instructions. Unfortunately, we cannot accept any liability for damage if these instructions are not being observed. Aggressive dirt such as bird droppings should be removed as quickly as possible.

NOTICE Aggressive stains such as bird droppings should be removed as soon as possible.

NOTICE Never use abrasive detergents such as steel wool or scouring milk!

Warm water is usually sufficient, if necessary with a little detergent, a soft cloth or brush. Plastic parts (camera or name tags) must not be treated with metal care products. Remove all residues of cleaning agents or lubricants to avoid stains or discolouration after the maintenance.

Stainless Steel

Only high-quality stainless steel is used for all available DoorBird door stations. However, high-quality stainless steel can also rust, as approx. 70 % of stainless steel is made of iron. Rust resistance is only achieved by a protective layer (also called passive layer), which covers the iron like a skin. This protective layer consists essentially of chromium and other precious metals.

Iron particles, grinding dust and chips deposited on stainless steel can lead to corrosion (rust film). These iron particles can be found everywhere, but especially in coastal and industrial areas and close to frequently

used roads. Please remove ferrous deposits immediately, as they will attack your door station and lead to real rust if not removed. To remove rust, simply wipe off the dust; in addition, a care product is recommended, e.g. WD 40, available e.g. at Amazon for less than € 5.00. Simply apply in a thin layer and rub in. The same applies if rust appears on the engravings on the stainless steel surface.

Cement or lime splashes should be carefully removed as soon as possible with a wooden spatula before hardening.

The following cleaning detergents are not to be used as they reduce corrosion resistance:

- products containing chloride and hydrochloric acid
- Bleach (in case of accidental use, rinse thoroughly with water)
- Silver polish

After the cleaning with clear water wipe with damp cloth and rub dry to avoid lime traces. Lime residues can be avoided by using demineralised water.

Stainless steel PVD coated

PVD coated, chrome-plated or gold-plated surfaces are recommended to be cleaned with a grease-dissolving detergent and clear water or with a clean and dust-free microfibre cloth. For high-gloss surfaces, use a scratch-free cloth (e.g. cleaning cloth for glasses, furniture polishing cloth, etc.).

Lacquered surfaces

Clean painted surfaces and lettering with a soft, scratch-free cloth moistened with a mild soap solution (e.g. cleaning cloth for glasses, furniture polishing cloth, etc.). To prevent stains or discolouration, the detergents should be wiped off without leaving any residue. Be particularly careful with lettering in order not to damage the film or the print.



—TROUBLESHOOTING

The device does not power up

If the device is to be supplied with power by a mains adapter, plug the power adapter of the device into a wall socket. If the power adapter was already plugged into a wall socket, check if the cables and wires are correctly connected to the screw connection terminal. In most cases, removing the cable and wires from the screw connection terminal plug and reconnecting them to the screw connection terminal plug helps (loose contact). If you are powering more than one device simultaneously with one mains adapter, check if the mains adapter is able to deliver enough power over the full cable length.

If the device is to be powered via PoE, switch on the PoE-Switch/ PoE-Injector which is connected to the device. If the PoE-Switch/ PoE-Injector was already switched on, check if the cables and wires are correctly connected screw connection terminal. In most cases, removing the cable and wires from the screw connection terminal plug and reconnecting them to the screw connection terminal plug helps (loose contact). If the problem still exists, please check if your PoE-Switch / PoE Injector supports the PoE Standard IEEE 802.3af Mode A, see also www.doorbird.com/poe

If the device is to be supplied with power by a DIN-rail power supply, switch on the DIN-rail power supply. If the DIN-rail power supply was already switched on, check if the cables and wires are correctly connected to the screw connection terminal. In most cases, removing the cable and wires from the screw connection terminal plug and reconnecting them to the screw connection terminal plug helps (loose contact). If you are powering more than one device simultaneously with one DIN-rail power supply, check if the DIN-rail power supply is able to deliver enough power over the full cable length.

The device does not connect to network via network cable (“No Network” diagnosis sound)

In most cases, removing the cable and wires from the screw connection terminal plug and reconnecting them to the screw connection terminal plug helps (loose contact). If the problem still exists, please check if the network cable is properly connected to your router / switch and the network cable is not broken.

If the problem still exists, please check if your Router has DHCP turned on and is able to assign an IP address to the device.

The device does not connect to Internet (“No Internet” diagnosis sound)

In most cases, your Internet is down or your router blocks Internet access for the device. Please see www.doorbird.com/downloads/ports.pdf

If the problem still exists, please check if your Router has DHCP turned on and is able to assign an IP address to the device.

The device does not connect to Internet

In most cases, your Internet is down or your router blocks Internet access for the device. Please see www.doorbird.com/downloads/ports.pdf

LEGAL NOTES

General remarks

1. DoorBird is a registered trademark of Bird Home Automation GmbH.
2. Apple, the Apple logo, Mac, Mac OS, Macintosh, iPad, Multi-Touch, iOS, iPhone and iPod touch are trademarks of Apple Inc.
3. Google, Android and Google Play are trademarks of Google, Inc.
4. The Bluetooth® word mark and logos are registered trademarks of Bluetooth SIG, Inc.
5. All other company and product names may be trademarks of the respective companies with which they are associated.
6. We reserve the right to make changes to our products in the interests of technical advancement. The products shown may also look different from the products supplied based on ongoing enhancement.
7. Reproducing or using texts, illustrations and photos from this instruction manual in any media – even if only in the form of excerpts – shall only be permitted with our express written consent.
8. The design of this manual is subject to copyright protection. We do not accept any liability for any errors or any erroneous content or printing errors (even in the case of technical specifications or within graphics and technical sketches).
9. Our products are in compliance with all technical guidelines, electrical and telecommunications regulations applicable in Germany, the EU and the USA.

Data privacy and data security

1. For maximum security, the device uses the same encryption technologies as are used in online banking. For your security, no port forwarding or DynDNS is used either.
2. The data centre location for remote access over the Internet by means of an App is obligatory in the EU if the determined Internet IP-Address location of the device is within the EU. The data centre is operated in line with the most stringent security standards.
3. Video, audio and any other surveillance methods can be regulated by laws that vary from country to country. Check the laws in your local region before installing and using this device for surveillance purposes.

If the device is a door-, indoor station or camera:

- In many countries video and voice signal may only be transmitted once a visitor has rung the bell (data privacy, configurable in the App).
- Please carry out the mounting in such a way that the detection range of the camera limits the device exclusively to the immediate entrance area.
- The device may come with a visitor history and motion sensor. You can activate/deactivate this function if required.

If necessary, indicate the presence of the device in a suitable place and in a suitable form.

Please observe any relevant country-specific statutory regulations concerning the use of surveillance components and surveillance cameras applicable at the installation site.

Check with the property owner and your house community if you are allowed to install and use this product. Bird Home Automation GmbH cannot be held responsible for any miss-use or miss-configuration of this product, including the unauthorized opening of a door.

Bird Home Automation cannot be held responsible for damages caused by improper existing installations or improper installation.

Software and operating system's updates (so-called "firmware updates") are generally automatically installed on the products of Bird Home Automation GmbH via Internet, if technically possible. Automatic firmware updates keep the products' software up to date so that they always work reliably, safely and efficiently. Through further development, features can be added, extended or slightly changed. Major changes or limitations to existing features will generally occur if Bird Home Automation GmbH deems it necessary (e.g. for data protection, data security or stability reasons, or to keep them up to date). When a firmware update is available, Bird Home Automation GmbH's servers generally automatically distribute it to all compatible products connected to the Internet or Bird Home Automation GmbH's servers. This process is gradual and can take several weeks. As soon as a product receives a firmware update, the system will be installed and will restart by itself. Installed firmware updates cannot be undone. Since the products and software of Bird Home Automation GmbH are not explicitly customer-specific

products, a customer cannot deny an automatic update if the product is connected to the Internet or to the Bird Home Automation GmbH's server.

Instructions for disposal

Do not dispose of the device with regular domestic waste. Electronic equipment must be disposed e.g. at local collection points for waste electronic equipment in compliance with the Waste Electrical and Electronic Equipment Directive.

Publisher

Bird Home Automation GmbH
Uhlandstraße 165
10719 Berlin
Germany

Web: www.doorbird.com
Email: hello@doorbird.com

INSTALLATIONSANLEITUNG

Lesen Sie diese Anleitung sorgfältig, bevor Sie die Komponenten in Betrieb nehmen. Bewahren Sie die Anleitung zum späteren Nachschlagen auf!

Wenn Sie das Gerät anderen Personen zur Nutzung überlassen, übergeben Sie auch diese Bedienungsanleitung.

Die stets aktuelle Version der Installationsanleitung finden Sie unter www.doorbird.com/de/support

Zur Vereinfachung der Begriffe verwenden wir „Gerät“ für das Produkt „IP Video Türstation D11x“ sowie „mobiles Endgerät“ für ein Smartphone/Tablet.

Haftung

Die Erstellung dieses Dokuments wurde sorgfältig vorbereitet. Bitte informieren Sie Bird Home Automation GmbH über etwaige Ungenauigkeiten oder Unterlassungen. Bird Home Automation GmbH kann nicht für technische oder typografische Fehler verantwortlich gemacht werden und behält sich das Recht vor, Änderungen an dem Produkt und den Handbüchern ohne vorherige Ankündigung vorzunehmen. Bird Home Automation GmbH übernimmt keinerlei Garantie in Bezug auf das in diesem Dokument enthaltene Material, einschließlich, aber nicht beschränkt auf die implizierten Garantien der Marktgängigkeit und Eignung für einen bestimmten Zweck. Bird Home Automation GmbH haftet nicht für Neben- oder Folgeschäden im Zusammenhang mit der Bereitstellung, Durchführung oder Verwendung dieses Materials. Das Gerät darf nur für den vorgesehenen Zweck verwendet werden.

Gerätemodifikationen

Dieses Gerät muss in Übereinstimmung mit den Anweisungen in der Installationsanleitung installiert und verwendet werden. Dieses Gerät enthält keine vom Benutzer zu wartenden Komponenten. Durch unbefugte Gerätemodifikationen oder Änderungen erlöschen alle anwendbaren Zertifizierungen und Zulassungen.

Verwendete Symbole



Achtung: Weist auf eine gefährliche Situation hin, die, falls nicht verhindert, zum Tod oder schweren Verletzungen führt.



Warnung: Weist auf eine gefährliche Situation hin, welche, falls nicht verhindert, zum Tod oder schweren Verletzungen führen kann.



Vorsicht: Weist auf eine gefährliche Situation hin, welche, falls nicht verhindert, zu geringfügiger oder mäßiger Verletzung führen kann.



Bitte beachten: Weist auf eine gefährliche Situation hin, welche, falls nicht verhindert, zu Sachschäden führen kann.



Wichtig: Weist auf wichtige Informationen hin, die den richtigen Betrieb des Produkts gewährleisten.



Hinweis: Weist auf nützliche Informationen hin, die die optimale Verwendung des Geräts unterstützen.

Gefahrenhinweise



WARNUNG

- Einbau, Montage und Servicearbeiten elektrischer Geräte dürfen ausschließlich durch eine Elektrofachkraft erfolgen. Bei Nichtbeachten besteht die Gefahr schwerer gesundheitlicher Schäden oder Lebensgefahr durch elektrische Stromschläge.
- Geräte mit 110-240 V Anschluss: Das Gerät darf nur an eine leicht zugängliche Netz-Steckdose angeschlossen werden. Bei Gefahr ist der Netzstecker zu ziehen.
- Benutzen Sie für die Stromversorgung des Gerätes ausschließlich das mitgelieferte Originalnetzteil oder einen in dieser Anleitung empfohlenen PoE-Switch/PoE-Injektor (sofern das Gerät PoE unterstützt).
- Durch elektrostatische Aufladung kann bei direktem Kontakt mit der Leiterplatte das Gerät zerstört werden. Vermeiden Sie daher ein direktes Berühren der Leiterplatte zu jeder Zeit.
- Norm EN 60065 bzw. EN 60950 bzw. EN 62368 beachten.
- Verwenden Sie das Gerät nicht, wenn es von außen erkennbare Schäden z. B. am Gehäuse, an Bedienelementen oder an den Anschlussbuchsen bzw. eine Funktionsstörung aufweist. Im Zweifelsfall lassen Sie das Gerät von einer autorisierten Fachkraft prüfen.
- Öffnen Sie das Gerät nicht. In solchen Fällen erlischt jeder Gewährleistungsanspruch! Für Folgeschäden übernehmen wir keine Haftung! Das Gerät enthält keine durch den Anwender zu wartenden Teile. Im Fehlerfall lassen Sie das Gerät von einer autorisierten Fachkraft prüfen.
- Aus Sicherheits-, Zulassungs- und Lizenzgründen (CE/FCC/IC etc.) ist das eigenmächtige Umbauen und/oder Verändern des Gerätes nicht gestattet.
- Das Gerät ist kein Spielzeug! Erlauben Sie Kindern nicht damit zu spielen. Lassen Sie das Verpackungsmaterial nicht achtlos liegen.



WARNUNG

- Plastikfolien/-tüten, Styroporsteile etc. können für Kinder zu einem gefährlichen Spielzeug werden.
- Verlegen Sie Kabel stets so, dass diese keine Gefährdungen für Menschen und Haustiere darstellen.
 - An Teilen im Gerät liegt Spannung an. Berühren Sie keine Teile, die nicht mit der Installation, der Verdrahtung oder dem Anschluss verbunden sind. Elektrische Stromschläge können die Folge sein.
 - Halten Sie die Geräte von Wasser oder anderen Flüssigkeiten fern, die nicht als wetterfest gekennzeichnet sind.
 - Führen Sie keine Installation durch und stellen Sie keine Verbindungen her, während die Stromversorgung eingeschaltet ist. Beschädigungen am Gerät oder elektrische Stromschläge können die Folge sein.
 - Bevor Sie die Stromversorgung einschalten, stellen Sie sicher, dass die Drähte nicht gekreuzt oder kurzgeschlossen sind. Feuer oder elektrische Stromschläge können die Folge sein.
 - Hochspannung kann intern vorhanden sein. Öffnen Sie das Gerät nicht. Elektrische Stromschläge können die Folge sein.
 - Das Gerät ist nicht explosionsgeschützt. Nicht in der Nähe von Gasen oder brennbaren Materialien installieren oder verwenden. Feuer oder Explosion können entstehen.
 - Installieren Sie nicht zwei Stromversorgungen parallel zu einem einzigen Eingang. Feuer oder Beschädigung des Gerätes können entstehen. Achten Sie darauf, nur ein einziges Netzteil an das Gerät anzuschließen.
 - Schließen Sie keinen Anschluss am Gerät an eine Netzstromleitung an. Feuer oder elektrische Stromschläge können die Folge sein.
 - Stellen Sie sicher, dass das Netzkabel nicht beschädigt oder gequetscht ist. Wenn das Netzkabel gebrochen ist, kann es zu einem Brand oder elektrischen Stromschlag kommen.
 - Nichts mit nassen Händen anstecken oder abziehen. Elektrische Stromschläge können die Folge sein.
 - Führen Sie kein Metall oder brennbares Material in das Gerät. Feuer, elektrische Stromschläge oder Gerätestörungen können die Folge sein.
 - Bestehende Verdrahtungen wie Türgongverdrahtung usw. können Hochspannungs-Wechselstrom enthalten. Schäden am Gerät oder elektrische Stromschläge können auftreten. Die Verdrahtung und Installation muss von einem qualifizierten Elektriker durchgeführt werden.
- Gerätemontage an Wand oder Decke: Vermeiden Sie Installationsorte, an denen das Gerät Erschütterungen oder Stößen ausgesetzt ist.
 - Bei Geräten mit Erdungsklemmen muss eine Erdung angeschlossen werden. Feuer oder Gerätestörungen können die Folge sein.
 - Bei Geräten mit Kunststoffglas oder Echtglas, keinen hohen Druck auf das Glas ausüben. Bei Bruch kann es zu Verletzungen kommen.
 - Bei Geräten mit LCD, wenn LCD beschädigt ist, nicht mit dem Flüssigkristall in Kontakt kommen. Verletzungen können die Folge sein. Wenn nötig, spülen Sie den Mund aus, reinigen Sie Ihre Augen oder Haut mit klarem Wasser für mindestens 15 Minuten und wenden Sie sich an Ihren Arzt.
 - Bringen Sie nichts auf dem Gerät an und verdecken Sie das Gerät nicht mit einem Tuch, Silikon, Klebstoff, Farbe, separater Abdeckung etc. Es können Feuer- oder Gerätestörungen auftreten.
 - Installieren Sie das Gerät nicht an einer der folgenden Orte. Feuer, Stromschlag oder Gerätestörungen können die Folge sein.
 - Orte unter direktem Sonnenlicht oder Orte in der Nähe von Heizgeräten, die in der Temperatur variieren.
 - Orte mit Staub, Öl, Chemikalien, Schwefelwasserstoff (heiße Quellen).
 - Orte, die extremer Feuchtigkeit und Luftfeuchtigkeit ausgesetzt sind, wie Bäder, Keller, Gewächshäuser, etc.
 - Orte, an denen die Temperatur extrem niedrig ist, wie z. B. in einem gekühlten Bereich oder vor einer Klimaanlage.
 - Orte, die Dampf oder Rauch ausgesetzt sind (z.B. in der Nähe von Heiz- oder Kochflächen).
 - Orte, an denen Geräusch erzeugende Geräte wie Dimmschalter oder Wechselrichter-Elektrogeräte in unmittelbarer Nähe sind.
 - Orte, die häufigen Vibrationen oder Stößen ausgesetzt sind.
 - Bei Geräten mit Gegensprechfunktion ist darauf zu achten, dass ein Anruftest durchgeführt wird, bei dem beide Gegensprechgeräte auf geringer Lautstärke eingestellt sind. Ein plötzlicher Anruf etc. kann ankommen und das Gehör schädigen.
 - Wenn das Gerät nicht ordnungsgemäß funktioniert, ziehen Sie den Netzstecker aus der Steckdose.
 - Alle Geräte, die nicht als wetterfest gekennzeichnet sind, sind nur für den Innenbereich konzipiert und nicht im Freien zu benutzen.

- Geräte, die als wetterfest gekennzeichnet sind, nicht mit Hochdruckwasser besprühen. Gerätestörungen können die Folge sein.
- Bei Sach- oder Personenschäden, die durch unsachgemäße Handhabung oder Nichtbeachten der Gefahrenhinweise verursacht werden, übernehmen wir keine Haftung. In solchen Fällen erlischt jeder Gewährleistungsanspruch! Für Folgeschäden übernehmen wir keine Haftung.

Sicherheitsanweisungen



- Die Verwendung des Geräts muss unter Beachtung der örtlich geltenden rechtlichen Bestimmungen erfolgen.
- Lagern Sie das Gerät in einer trockenen und belüfteten Umgebung.
- Achten Sie darauf, dass das Gerät weder Stößen noch starkem Druck ausgesetzt ist.
- Installieren Sie das Gerät nicht an instabilen Halterungen, Oberflächen oder Wänden. Stellen Sie sicher, dass das Material stabil genug ist, um das Gewicht des Geräts zu tragen.
- Verwenden Sie bei der Installation des Geräts ausschließlich passende Werkzeuge. Ein zu großer Kraftaufwand mit Werkzeugen kann das Gerät beschädigen.
- Verwenden Sie keine chemischen, ätzenden oder aerosolhaltigen Reinigungsmittel.
- Verwenden Sie zum Reinigen ein sauberes, trockenes Tuch.
- Verwenden Sie nur Zubehör, das den technischen Daten des Geräts entspricht. Dieses ist von Bird Home Automation GmbH erhältlich.
- Verwenden Sie ausschließlich Ersatzteile die von Bird Home Automation GmbH bereitgestellt oder empfohlen werden.
- Versuchen Sie nicht, das Gerät selbstständig zu reparieren. Wenden Sie sich bezüglich Reparatur und Wartung an Bird Home Automation GmbH.
- Halten Sie das Gerät mehr als 1 m (3,3“) entfernt von Mikrowelle, Radio, TV, WLAN Router und anderen drahtlosen Geräten.
- Bei Geräten mit Gegensprechfunktion oder eingebautem Lautsprecher oder eingebautem Mikrofon oder Signalübertragungsfunktion, installieren Sie die Drähte mehr als 30 cm (12“) entfernt von 100-240 V Wechselstromverdrahtung. Ansonsten können Wechselstrominduzierte Geräusche und/oder Geräte-Störungen auftreten.
- Installieren Sie das Gerät in einem Bereich, der

für zukünftige Inspektionen, Reparaturen und Wartungen zugänglich ist.

- Wenn das Gerät in der Nähe eines Mobiltelefons verwendet wird, kann das Gerät gestört werden.
- Das Gerät kann beschädigt werden, wenn es fallen gelassen wird. Mit Vorsicht behandeln.
- Das Gerät wird während eines Stromausfalls außer Betrieb gesetzt.
- Bei Geräten mit Gegensprechfunktion oder eingebautem Lautsprecher oder eingebautem Mikrofon kann das Gerät in Bereichen, in denen Antennen von Mobilfunksendern, Radio- oder TV-Sendern in der Nähe sind, beeinträchtigt werden.
- Bei Geräten mit LCD-Bildschirm muss im Voraus darauf hingewiesen werden, dass bei einem LCD-Panel, obwohl es mit sehr hohen Präzisionstechniken hergestellt wird, unvermeidlich ein sehr kleiner Teil seiner Bildelemente nicht immer beleuchtet oder gar nicht beleuchtet wird. Dies gilt nicht als Gerätefehler.
- Bei Geräten mit Gegensprechfunktion können Umgebungsgeräusche um das Gerät herum eine reibungslose Kommunikation behindern. Dies ist keine Fehlfunktion.
- Bei Geräten mit Benutzername/Passwort ist der Anwender für den Zugriff mittels Benutzername/Passwort auf das Gerät verantwortlich. Vergewissern Sie sich ein Passwort zu verwenden, das von einem Dritten nicht leicht erraten werden kann. Wir empfehlen Ihnen, das Passwort regelmäßig zu ändern.
- Wir haften unter keinen Umständen für Schäden, die aufgrund von Fehlern in der Stromversorgung, Netzwerkgeräten oder Endgeräten auftreten; Ausfälle aufgrund von Internetanbietern und Mobilfunkanbietern; Ausfälle aufgrund von getrennten oder gestörten Leitungen und andere Übertragungsverluste, die es unmöglich machen, unseren Dienst zu erbringen, sowie allen anderen Ursachen die außerhalb unserer Verantwortung liegen; Oder, wenn während der Übertragung ein Fehler oder fehlende Daten auftreten.

Transport

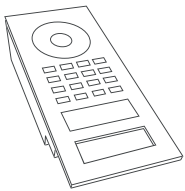


Bei Bedarf transportieren Sie das Gerät in der Originalverpackung oder einer entsprechenden Verpackung, so dass Schäden vermieden werden.

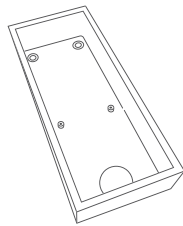
Gewährleistung

Informationen zur Gewährleistung des Geräts finden Sie unter www.doorbird.com/de/warranty

KOMPONENTEN*



1x Elektrische Haupteinheit mit Ruftaste(n) und Frontblende



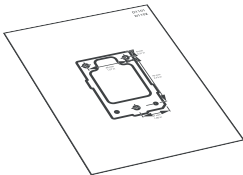
1x Montagerückgehäuse mit Wandmontagehalterung



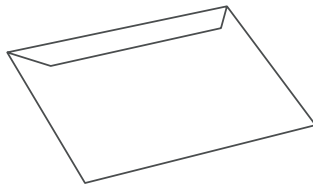
1x Installationsanleitung



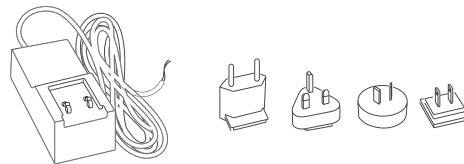
1x Quickstartanleitung mit Digital Passport



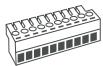
1x Bohrschablone



1x Wasserfestes A4 Laserdrucker-Papier für die Beschriftung einer Namensschildtaste



1x Steckernetzteil (110 - 240 V AC auf 15 V DC) mit 4 Landesadaptern



1x Grüner Schraubanschlussklemmenstecker

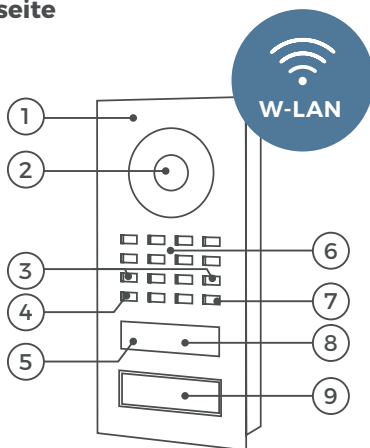


Kleinteile

* Die Zeichnungen in dieser Anleitungen können optisch von ihrem erworbenen Produkt abweichen .

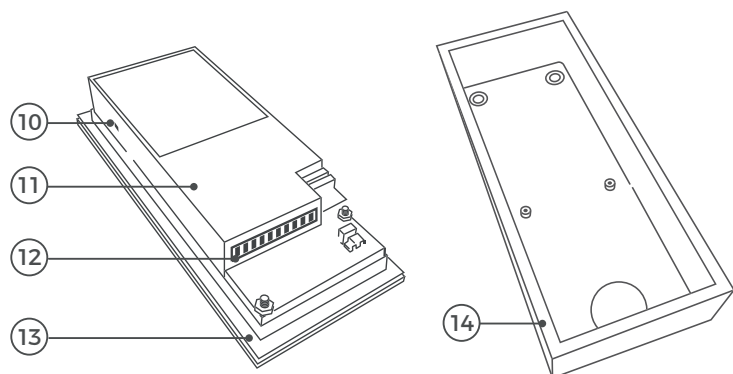
GERÄT MIT EINER RUFTASTE

Vorderseite



- 1) Frontblende
- 2) HDTV Video
- 3) Sicherheitsschrauben
- 4) Lichtsensor
- 5) Bluetooth-Transceiver
- 6) Lautsprecher
- 7) Mikrofon
- 8) 4D Bewegungssensor
- 9) Beleuchtete Ruftaste mit Namensschild

Innenseite

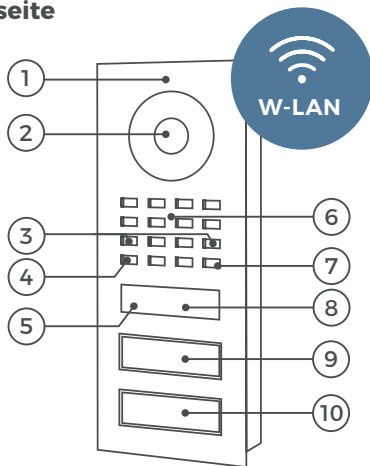


- 10) Diagnose LED
Leuchtet nach ein paar Sekunden auf nachdem das Gerät mit dem Strom verbunden wurde
- 11) Elektrische Haupteinheit
- 12) Schraubklemmenblock
- 13) Dichtung
- 14) Rückgehäuse mit Wandmontagehalterung

Das Unterputzmodell kann optisch abweichen.

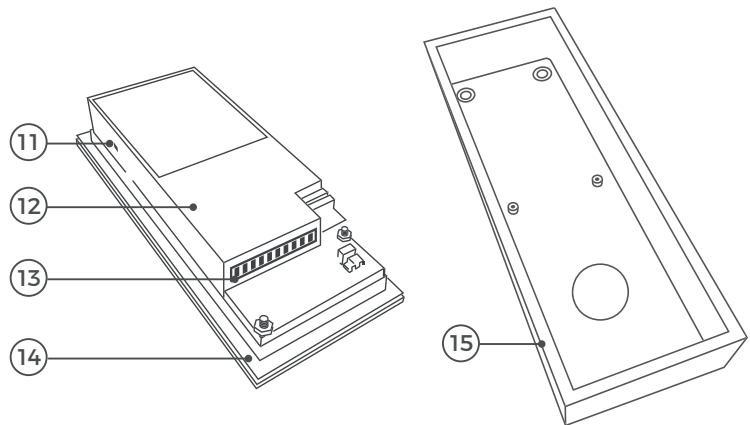
GERÄT MIT 2 RUFTASTEN

Vorderseite



- 1) Frontblende
- 2) HDTV Video
- 3) Sicherheitsschrauben
- 4) Lichtsensor
Für den Nachtsichtmodus
- 5) Bluetooth-Transceiver
- 6) Lautsprecher
- 7) Mikrofon
- 8) 4D Bewegungssensor
- 9) Erste beleuchtete Ruftaste mit Namensschild
- 10) Zweite beleuchtete Ruftaste mit Namensschild

Innenseite

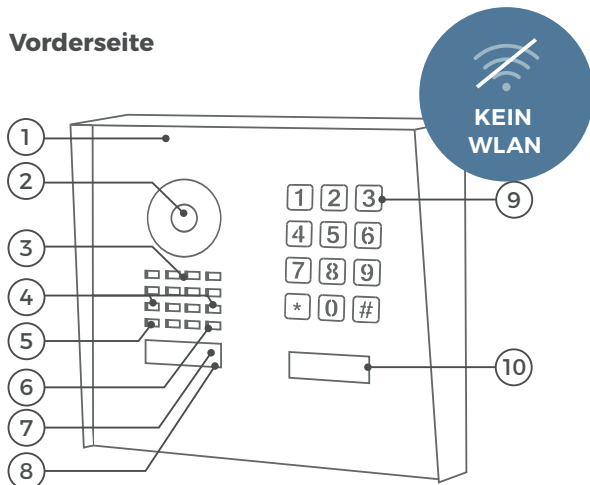


- 11) Diagnose LED
Leuchtet nach ein paar Sekunden auf nachdem das Gerät mit dem Strom verbunden wurde
- 12) Elektrische Haupteinheit
- 13) Schraubklemmenblock
- 14) Dichtung
- 15) Rückgehäuse mit Wandmontagehalterung

Das Unterputzmodell kann optisch abweichen.

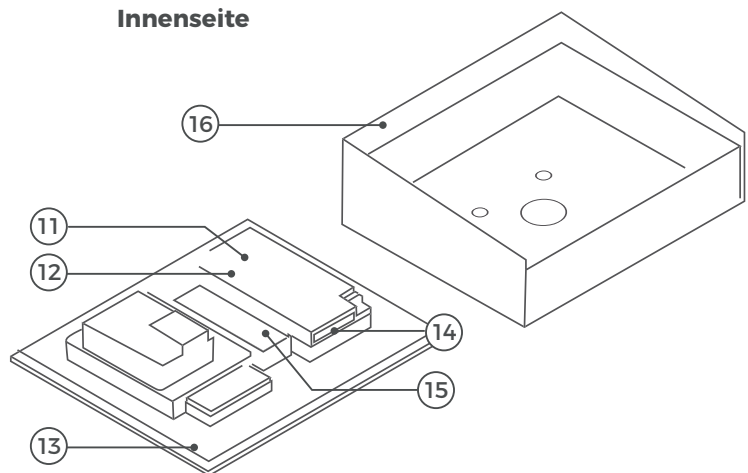
GERÄT MIT KEYPADMODUL

Vorderseite



- 1) Frontblende
- 2) HDTV Video
- 3) Lautsprecher
- 4) Sicherheitsschrauben
- 5) Lichtsensor
Für den Nachtsichtmodus
- 6) Mikrofon
- 7) Bluetooth-Transceiver
- 8) 4D Bewegungssensor
- 9) Keypad Modul
Die Beleuchtung agiert auch gleichzeitig als Diagnose LED(s)
- 10) Beleuchtete Ruftaste „Modern“ (mit Namensschild) oder beleuchtete Ruftaste „Classic“ (rund)

Innenseite



- 11) Elektrische Haupteinheit
- 12) Diagnose LED
Leuchtet nach ein paar Sekunden auf nachdem das Gerät mit dem Strom verbunden wurde
- 13) Dichtung
- 14) Schraubklemmenblock
- 15) Halterung für 2-Draht Ethernet PoE Konverter A1071 (optional)
- 16) Rückgehäuse mit Wandmontagehalterung

Das Unterputzmodell kann optisch abweichen.

VIDEOS

Sie können sich durch die Installation mit unseren Installationsvideos auf www.doorbird.com/de/support begleiten lassen. In den Videos wird jeder Installations-schritt einzeln und gut dokumentiert dargestellt.

INSTALLATION

Alle folgenden Schritte sollten von einem fachkundigen Erwachsenen sorgsam und unter Berücksichtigung sämtlicher geltender Schutzvorschriften durchgeführt werden. Sollten Sie Fragen haben, wenden Sie sich bitte direkt an uns oder einen kompetenten Fachmann.



Achten Sie darauf, dass alle Drähte, die Sie für die Installation verwenden, über die gesamte Länge unbeschädigt und für die Verwendungsart zugelassen sind.

Netzwerkgeschwindigkeit und Netzwerkkomponenten

Stellen Sie sicher, dass Ihre Internetverbindung über mindestens 0,5 Mbit/s Uploadgeschwindigkeit verfügt. Sie können über die DoorBird App jederzeit auch einen Geschwindigkeitstest durchführen. Das Nutzererlebnis ist nur so gut wie die Netzwerkgeschwindigkeit, Netzwerkstabilität und Qualität Ihrer Netzwerkkomponenten, wie z.B. Ihr Internet Router und WLAN Access Points oder WLAN Repeater. Stellen Sie sicher, dass Ihre Netzwerkkomponenten nicht älter als zwei Jahre sind, von einem namhaften Hersteller gefertigt wurden und über die neuste Firmware verfügen. Sind diese Voraussetzungen nicht erfüllt, kann es z.B. dazu kommen, dass Audio- und Videoverbindungen schlecht sind oder Push-Nachrichten verzögert oder gar nicht auf Ihrem Smartphone oder Tablet ankommen.

Anforderungen:

High Speed Internet (Festnetz): DSL, Kabel oder Glasfaser

Netzwerk: Ethernet Netzwerk, mit DHCP

1

STROM ABSCHALTEN



Schalten Sie den Strom sämtlicher zum Montageort führenden Leitungen ab, d.h. z.B. den Strom für die Türstation, den Türgong, elektrischen Türöffner, PoE-Switch/PoE-Injektor etc.

2

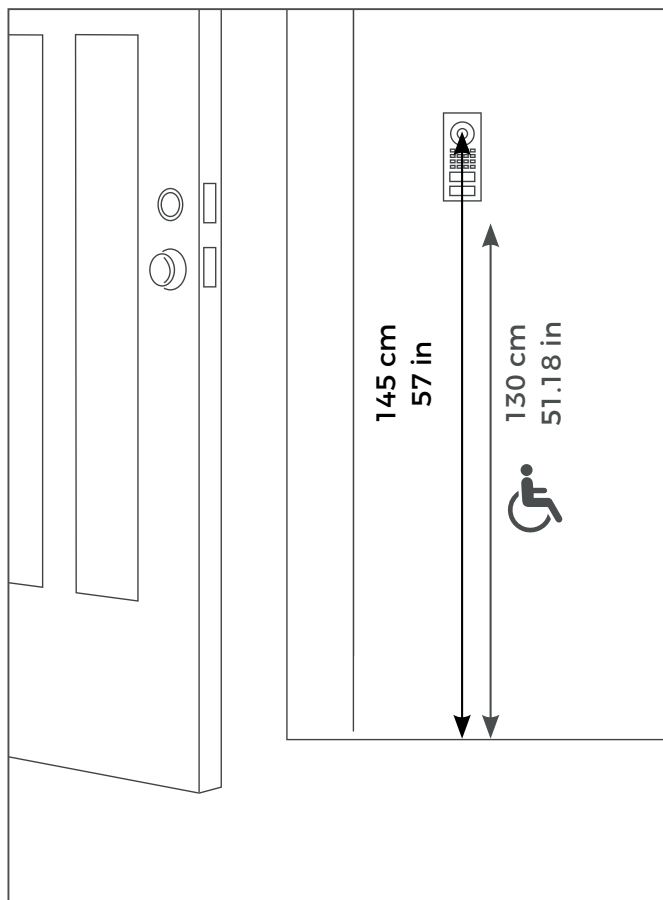
DEMONTAGE DER BESTEHENDEN TÜRKLINGEL

Demontieren Sie, falls an der Hauswand bereits vorhanden, die bestehende Türklingel bzw. Türstation.

3

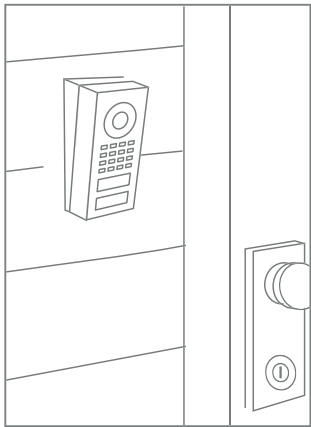
MONTAGEORT FESTLEGEN

Das Gerät verwendet eine hemisphärische Ultraweitwinkel Linse, so dass selbst bei einem minimalen Abstand der Person von 50 cm (19.68 in) zum Gerät eine geringe Montagehöhe ausreicht. Daher ist das Objektiv auch mechanisch nicht verstellbar. Die Kameralinse sollte sich auf einer Höhe von mindestens 145 cm (57 in) befinden. Sie sollten die korrekte Höhe vor der endgültigen Montage testen.

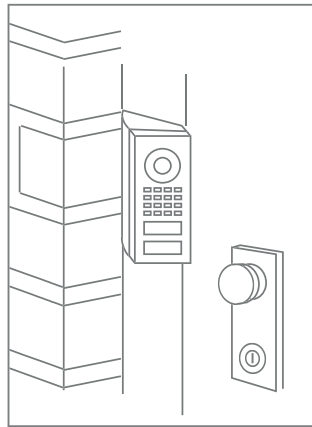


Nur bei D1101V und D1102V!

Alternativ sind Wandmontage-Kits mit einem Eck-Keil- (7.5° vertikal nach oben oder unten) und einem Eck-Winkel-Wandmontageadapter (45° horizontal, links oder rechts montierbar) für D1101V und D1102V separat erhältlich.



A8001 Eck-Keil-Wandmontageadapter (7.5° vertikal nach oben oder unten montierbar), separat erhältlich



A8002 Eck-Winkel-Wandmontageadapter (45° horizontal, links oder rechts montierbar), separat erhältlich

Bei der Auswahl des Montageortes sind die Lichtverhältnisse zu beachten. Vermeiden Sie direkte Sonneneinstrahlung, direkte Hintergrundbeleuchtung und reflektierende Oberflächen.



Setzen Sie das Gerät keinem direktem Sonnenlicht aus. Die Gehäusetemperatur kann die maximal zulässige Temperaturgrenze überschreiten. Dies kann zu Beschädigungen elektrischer und mechanischer Komponenten des Geräts und zu Verletzungen führen, insbesondere bei der Berührung von Außenteilen des Geräts. Weiße und helle silberfarbene Frontblenden absorbieren weniger Sonnenlicht als dunkle.



Ein Bildsensor darf keiner direkten Sonneneinstrahlung über längere Zeit ausgesetzt werden. Direkte Sonneneinstrahlung lässt die Kamera „erblinden“ und kann die kleinen Farbfilter auf dem Bildsensorchip dauerhaft beschädigen.

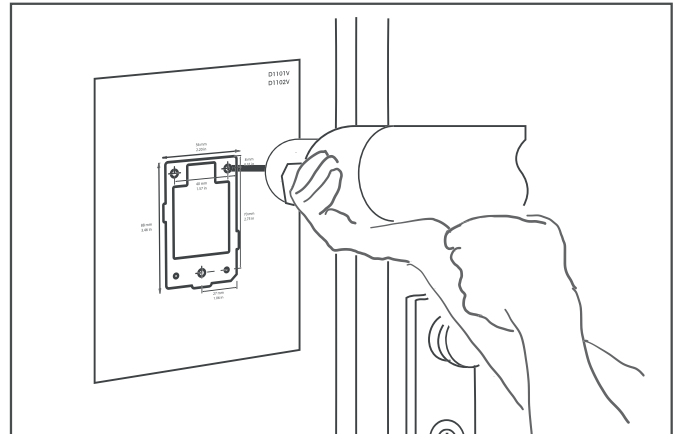


Ein durch direkte Sonneneinstrahlung hervorgerufener Defekt ist nicht von der Gewährleistung abgedeckt.

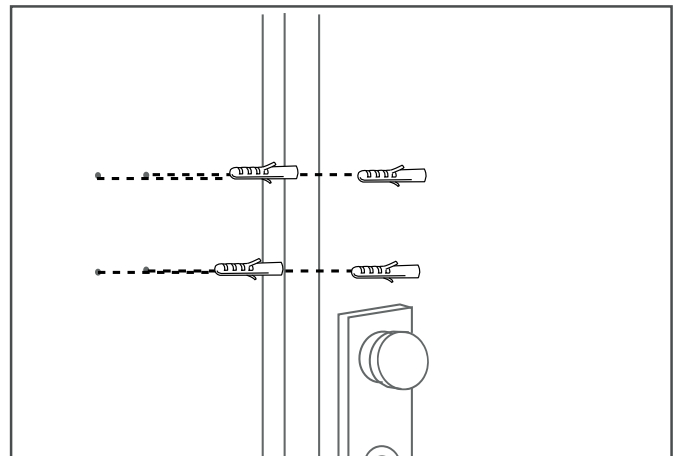
4

MONTAGE DES RÜCKGEHÄUSES

Das Produkt ist als Auf- und Unterputzvariante verfügbar. Bei der Unterputzvariante ist die Frontblende etwas größer, damit das Loch in der Wand besser abgedeckt ist und das Rückgehäuse besteht statt aus Plastik vollständig aus Metall. Wenn Sie das Unterputzgehäuse verwenden, bereiten Sie eine Aussparung in der Wand vor.



Wenn die Hauswand nicht aus Holz besteht, bohren Sie gemäß der Bohrschablone Dübellöcher mit einem Durchmesser von 5 mm in die Wand und setzen Sie die mitgelieferten Dübel ein.



Wenn die Wand aus Holz besteht, sind üblicherweise keine Dübel erforderlich. Für die Montage des Gerätes auf einer Isolierwand gibt es spezielle Dübel, z.B. Fischer Isolierdübel.



Wenn Sie Löcher bohren, Schrauben setzen oder eine Wand aufbrechen, achten Sie darauf, dass sich keine Kabel oder Leitungen (Gas, Wasser usw.) dahinter befinden.

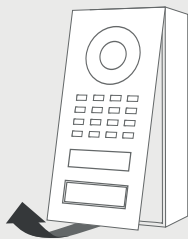
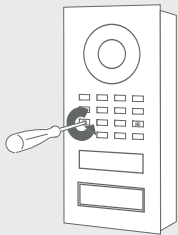
4.1 Entfernen der Frontblende

Entfernen Sie die Frontblende mit der Haupteinheit vorsichtig mit dem mitgelieferten Schraubendreher vom Montagerückgehäuse.

i Die Frontplatte und die Sicherheitsschrauben sind so konstruiert, dass sie nicht aus der Frontplatte herausgeschraubt werden können. Dadurch fallen sie bei der Montage nicht heraus/kommen abhanden.

D1101V & D1102V

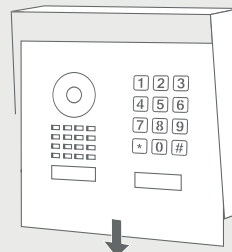
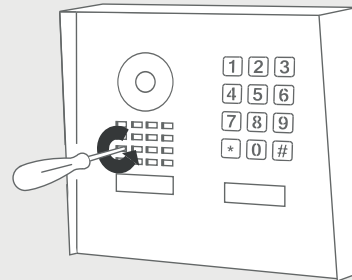
Drehen Sie die Sicherheitsschrauben gegen den Uhrzeigersinn, bis sie sich lösen.



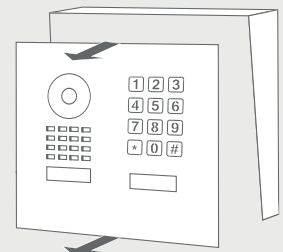
Ziehen Sie die Frontplatte mit der elektrischen Haupteinheit aus dem Montagerückgehäuse heraus.

D1101KH

Drehen Sie die Sicherheitsschrauben gegen den Uhrzeigersinn, bis sie sich lösen.



Ziehen Sie die Frontblende nach unten

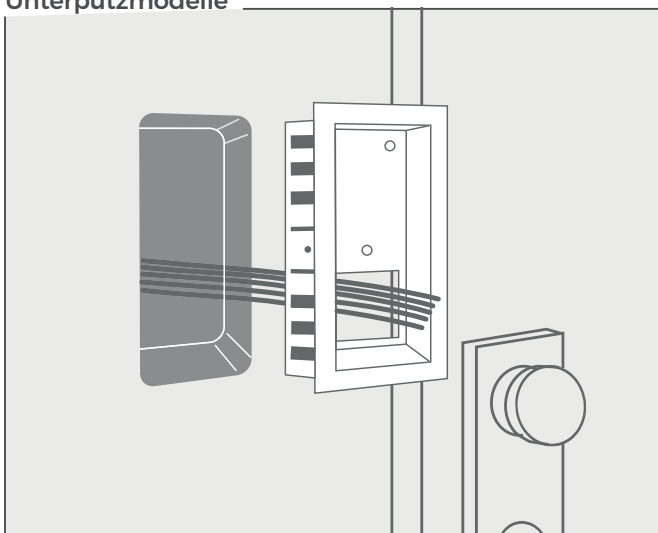


Ziehen Sie die Frontblende zu sich heran.

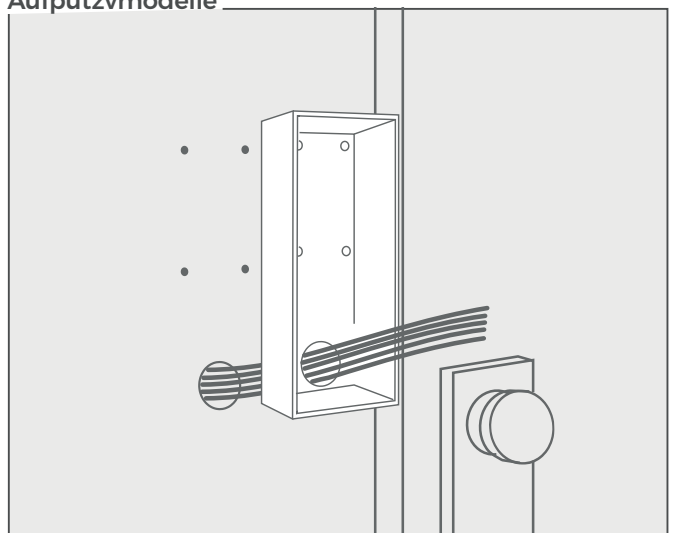
4.2 Montage

Führen Sie alle Kabel und Drähte, die sie verbinden möchten durch das Montagegehäuse. Schrauben Sie die Wandmontagehalterung des Montagegehäuses an die Wand.

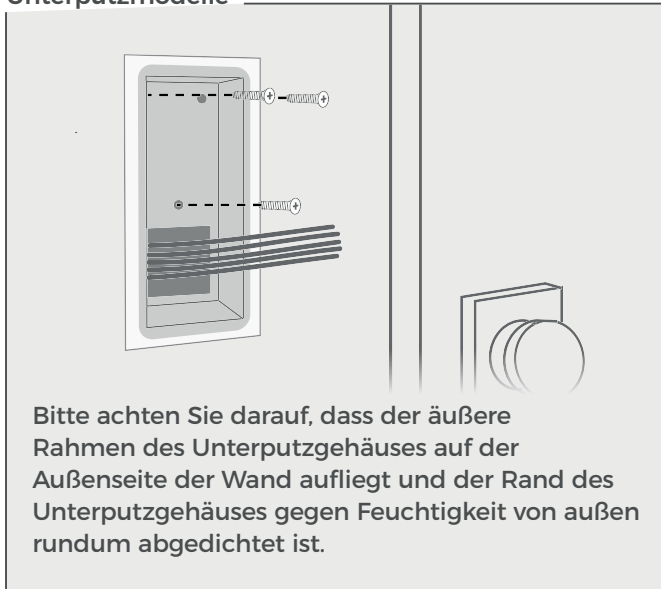
Unterputzmodelle



Aufputzmodelle

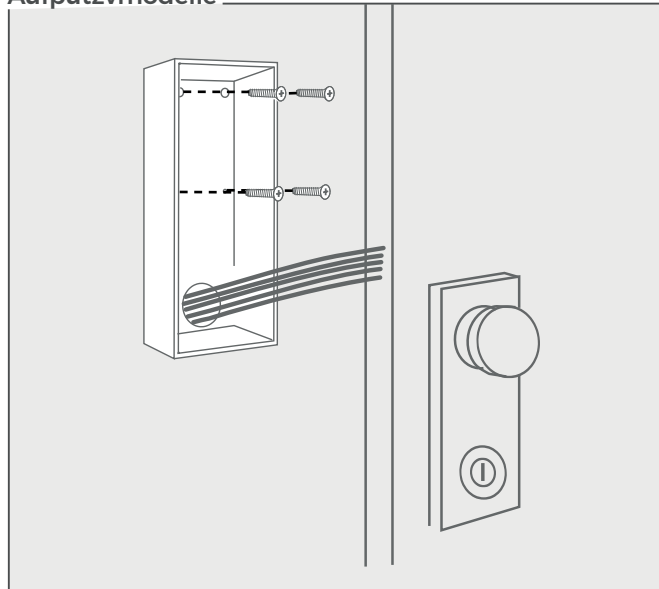


Unterputzmodelle



Bitte achten Sie darauf, dass der äußere Rahmen des Unterputzgehäuses auf der Außenseite der Wand aufliegt und der Rand des Unterputzgehäuses gegen Feuchtigkeit von außen rundum abgedichtet ist.

Aufputzmodelle



5

OPTIONEN ZUR NETZWERKVERBINDUNG

Sie können das Gerät entweder über eine WiFi 2,4 GHz-Verbindung (nur bei D1101V und D1102V) oder über ein Netzkabel mit dem Netzwerk verbinden.

OPTION 1

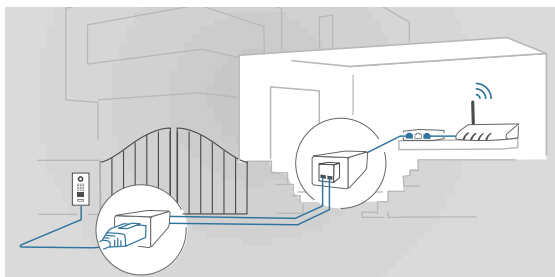
Netzkabel (empfohlen, wartungsfrei)



Installieren Sie ein Netzkabel (das an einen Netzwerk-Switch/Router mit Internetzugang angeschlossen ist) von der Innenseite Ihres Gebäudes zum Montageort. Das Netzkabel zwischen dem Montageort und dem Netzwerk-Switch/Router kann eine maximale Länge von 80 m (IEEE 802.3) aufweisen. Wenn Sie eine Entfernung von mehr als 80 m überwinden müssen, können Sie einen Netzwerk-Switch dazwischen platzieren.



Wenn Sie nur zwei Drähte am Montageort zur Verfügung haben, können Sie den „DoorBird 2-Draht Ethernet PoE Konverter A1071“ verwenden, der separat erhältlich ist. Er ermöglicht es Ihnen, Netzwerkdaten (Ethernet) und Strom (PoE) über eine einfache Zweidrahtleitung über weite Strecken hinweg zu übertragen. So können Sie Bestandsgebäude, die z.B. nur über einen einfachen zweiadrigen Klingeldraht verfügen, mit Netzwerktechnologie ausstatten, ohne hierfür nachträglich ein Netzkabel verlegen zu müssen.



OPTION 2

WLAN 2.4 GHz (nur bei D1101V und D1102V)



Aus Stabilitätsgründen empfehlen wir grundsätzlich ein Netzkabel zu nutzen, da WLAN stömpfindlich ist (Reichweite, abschirmende Hauswände, Zuverlässigkeit, fremde WLAN Netze, störende Funksender in der Nähe und vieles mehr).

Wenn Sie WLAN verwenden, stellen Sie bitte sicher, dass Sie ein gutes WLAN Signal am Montageort des Geräts haben. Sie können das WLAN Signal verbessern, indem Sie sogenannte „WLAN Repeater“ verwenden, die Ihr WLAN Signal verstärken können. Sie sollten einen solchen WLAN Repeater in der Nähe des Montageortes des Geräts installieren, normalerweise in Ihrem Haus in der Nähe des Geräts.

Das Gerät verfügt nicht über einen Akku als Stromversorgung, wählen Sie daher eine der folgenden Optionen.

OPTION 1

Stromversorgung per Steckernetzteil



Zur Stromversorgung des Geräts per Steckernetzteil werden zwei isolierte Drähte benötigt. Das mitgelieferte Steckernetzteil verfügt über ein 300 cm langes Kabel mit zwei isolierten Drähten. Die Netzwerkanbindung erfolgt per Netzwerkkabel oder WLAN.



Das mitgelieferte Steckernetzteil ist in der Lage, nur genau ein Gerät mit Strom zu versorgen. Es ist nicht dafür ausgelegt, mehrere Geräte gleichzeitig zu betreiben.

Wenn Sie mehr als ein Gerät mit einem einzigen Netzteil versorgen müssen, empfehlen wir Ihnen, einen PoE-Switch mit PoE-Standard IEEE 802.3af Mode A oder ein entsprechendes Hutschienennetzteil (siehe „OPTION 3“) zu verwenden.



Stecken Sie das Steckernetzteil noch nicht in die Wandsteckdose.

Verwenden Sie ausschließlich das mitgelieferte Steckernetzteil oder das von uns separat erhältliche Hutschienennetzteil, da diese speziell stabilisiert und mit einer integrierten Audio-Störungsunterdrückung ausgestattet sind. Andere Netzteile können das Gerät zerstören oder eine schlechte Übertragungsqualität verursachen. Durch die Verwendung eines anderen Netzteils erlischt automatisch die Gewährleistung.

Das Steckernetzteil (Schritt 10) wird in eine Steckdose im Haus gesteckt, in der Regel dort, wo die beiden Kabel von Ihrem Montageort im Inneren des Hauses aus der Wand kommen.



Das mitgelieferte Steckernetzteil ist nicht für den Einsatz im Außenbereich konzipiert, sondern nur für die Verwendung im Innenbereich.

OPTION 2

Stromversorgung und Netzwerkanschluss per Poe (Power Over Ethernet)



Zur Stromversorgung des Geräts per PoE-Switch (z.B. D-Link DGS-1008P) oder PoE-Injektor (z.B. DoorBird Gigabit PoE Injektor A1091) verwenden Sie ein Cat.5 Netzwerkkabel oder besser gemäß PoE Standard IEEE 802.3af Mode A.

Es muss zwingend ein Cat.5 (oder besser Netzwerkkabel zum Einsatz kommen, da Netzwerksignale nur über vollständig isolierte, abgeschirmte und verdrehte Kabel übertragen werden können. Wenn Sie PoE als Stromversorgung nutzen, sind vier Drähte für PoE dann gleichzeitig die Datenleitung. Sollte Ihr PoE-Switch oder PoE-Injektor keinen PoE Standard IEEE 802.3af Mode A unterstützen, wird das Gerät nicht starten.

Bitte überprüfen Sie www.doorbird.com/de/poe auf bekannte Inkompatibilitäten.



Wenn Sie mehr als ein Gerät mit einem einzigen Netzteil versorgen müssen, empfehlen wir Ihnen, einen PoE-Switch mit PoE-Standard IEEE 802.3af Mode A oder ein entsprechendes Hutschienennetzteil (siehe „OPTION 3“) zu verwenden.



Es kann theoretisch (wird nicht von uns empfohlen!) für die Netzwerk- und PoE-Übertragung auch alternativ zu einem Cat.5 Netzwerkkabel oder besser ein nicht abgeschirmter aber über die gesamte Länge (max. 80 m) paarweise verdrehter Klingeldraht mit zwei Aderpaaren verwendet werden (Erstes verdrehtes Aderpaar: „T+, T-“, zweites verdrehtes Aderpaar „R+, R-“). Dies ist vergleichbar mit einem Cat.3 Netzwerkkabel. Der Datendurchsatz sowie die Stabilität der Netzwerkverbindung und Stromversorgung können wir in diesem Fall aber nicht gewährleisten, dies muss vor Ort durch entsprechendes Fachpersonal über mehrere Stunden gemessen und überprüft werden (Netzwerkdaten werden hochfrequent übertragen, daher muss im Normalfall ein geschirmtes und aderpaarweise verdrehtes Cat.5 Netzwerkkabel oder besser verwendet werden).



Kombinieren Sie die Stromversorgung per Steckernetzteil nicht mit der Stromversorgung per PoE.

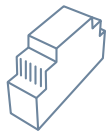
Weitere Informationen über PoE finden Sie unter: <http://www.doorbird.com/de/poe>



1. Trennen Sie den vorgesehenen PoE-Switch oder PoE-Injektor vom Stromnetz.
2. Führen Sie das Netzwerkkabel zum Montageort des Geräts.

OPTION 3

Stromversorgung per Hutschienennetzteil



Alternativ zum Steckernetzteil bieten wir in unserem Shop Hutschienennetzteile an, welche durch einen Fachmann installiert werden können. Die Netzwerkanbindung erfolgt per Netzwerkkabel oder WLAN.



Wenn Sie mehr als ein Gerät mit einem einzigen Netzteil versorgen müssen, empfehlen wir Ihnen, einen PoE-Switch mit PoE-Standard IEEE 802.3af Mode A oder ein entsprechendes Hutschienennetzteil zu verwenden.

7

GERÄT ANSCHLIESSEN

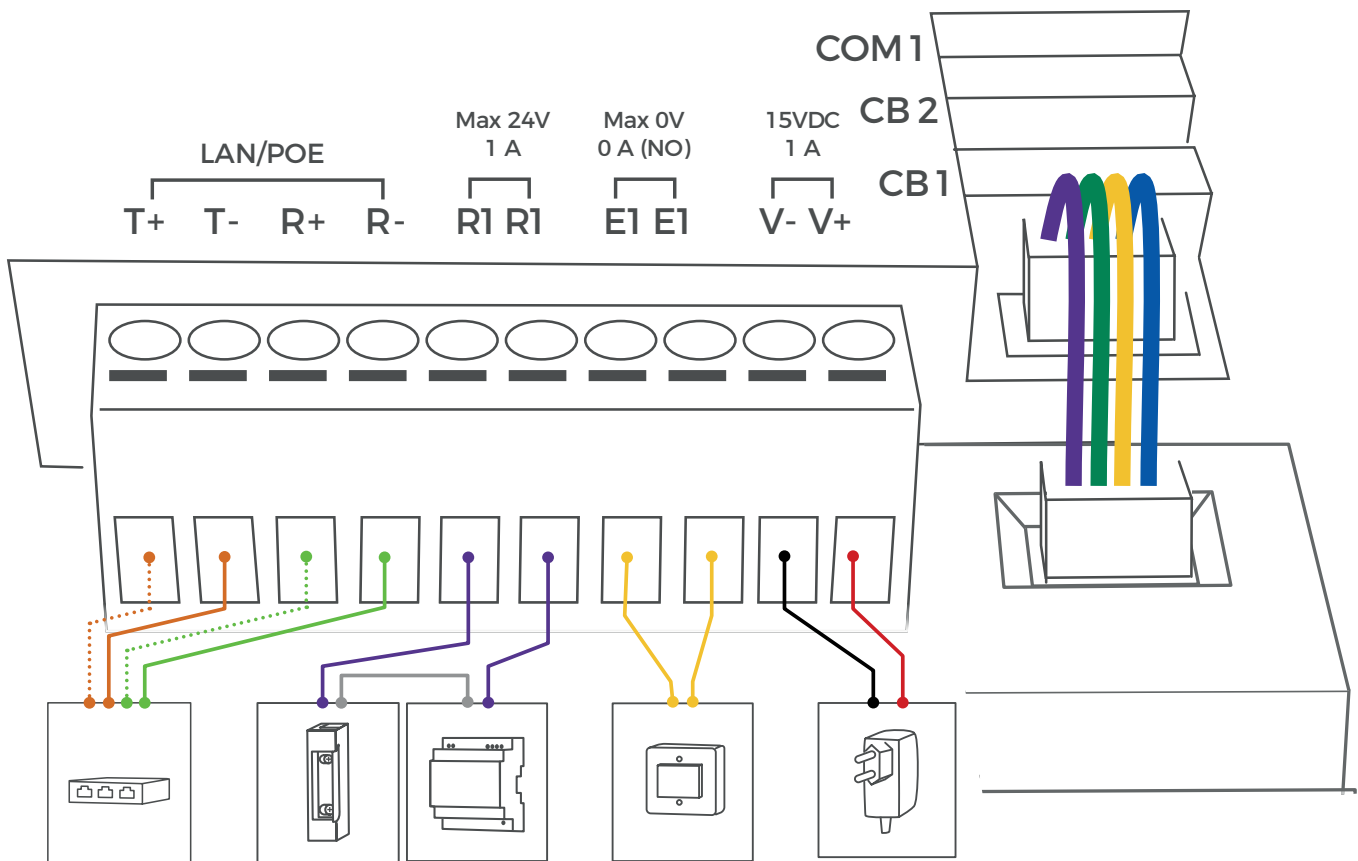
Das Gerät verfügt für ein komfortables und sicheres Anschließen der Kabel und Drähte über beschriftete Anschlussbuchsen. Sie können jetzt alle erforderlichen Kabel und Drähte mit dem Gerät verbinden.



Zur einfacheren Installation empfehlen wir dringend, die Schraubanschlussklemmenstecker von der Schraubanschlussklemmenbuchse zu entfernen, während Sie die Kabel und Drähte anschließen.



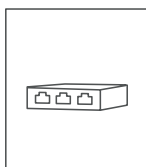
Entfernen Sie bitte die Kabel und Drähte von den Schraubanschlussklemmensteckern des Geräts, die Sie nicht benötigen.



ANSCHLÜSSE

BESCHREIBUNG

LAN/POE



Das Gerät verfügt nicht über eine integrierte standardisierte RJ45-Buchse, um sicherzustellen, dass ...

- das Gerät möglichst flach auf der Wand aufliegt.
- die Wand nicht aufgestemmt werden muss.
- starke und unflexible Cat.6 oder Cat.7 Installationskabel verwendet werden können.

Verwenden Sie nur vier Adern (1, 2, 3 und 6) eines Standard-Netzwerkkabels Cat.5 oder besser, das vom Internet-Router/PoE-Switch/PoE-Injector kommt.

Cat.5 / Cat.6 Netzwerkkabel



T+ Weiße und orangefarbene Netzwerkkabelader (Nummer 1, Transmit Data -)

T- Orangefarbene Netzwerkkabelader (Nummer 2, Transmit Data -)

R+ Weiße und grünfarbene Netzwerkkabelader (Nummer 3, Receive Data +)

R- Grünfarbene Netzwerkkabelader (Nummer 6, Receive Data -)

Cat.7 Netzwerkkabel (Installationskabel)



T+ Weiße Netzwerkkabelader aus dem Aderpaar „orange/weiß“ (Nummer 1, Transmit Data +)

T- Orange Netzwerkkabelader aus dem Aderpaar „orange/weiß“ (Nummer 2, Transmit Data -)

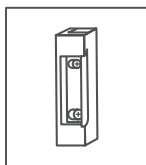
R+ Weiße Netzwerkkabelader aus dem Aderpaar „grün/weiß“ (Nummer 3, Receive Data +)

R- Grüne Netzwerkkabelader aus dem Aderpaar „grün/weiß“ (Number 6, Receive Data -)



Kombinieren Sie die Stromversorgung per Steckernetzteil nicht mit der Stromversorgung per PoE.

R1, R1

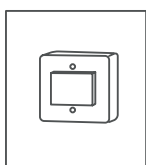


Bi-stabiles selbsthaltendes Schaltrelais #1, max. 24 V DC/AC, 1 A.
Sicherheitsfeature: Das Relais behält den Zustand auch bei Spannungsverlust. Sie können den Standardzustand des Relais (geöffnet/ geschlossen) über die DoorBird App konfigurieren. Diese Anschlüsse können verwendet werden, um z.B. einen elektrischen Türöffner oder Aufzugruf anzuschließen. Das Gerät bietet keine Stromversorgung für einen elektrischen Türöffner. Die Stromversorgung für einen elektrischen Türöffner muss separat installiert werden.



Bitte beachten: Wenn Sie einen elektrischen Türöffner direkt mit einer Türstation verdrahten, könnte der elektrische Türöffner durch unbefugte Dritte manipuliert werden (z.B. indem man die Türstation aufbricht und die Verdrahtung des Türöffners kurzschließt). Wir empfehlen daher für die Verdrahtung eines elektrischen Türöffners generell den Einsatz eines abgesetzten Sicherheitsrelais, das im Hausinneren montiert wird (z.B. DoorBird E/A Tür Controller A1081).



E1, E1



Digitaler Eingang (0 V, 0 A (NO)), für Türöffnertaster, max. 0 V DC/AC, 0 A. Dieser Anschluss kann verwendet werden, um z.B. einen Türöffnertaster im Hausinneren an das Gerät anzuschließen. Der Kontakt schaltet das erste bi-stabile selbsthaltende Schaltrelais (R1, R1).



Beachten Sie bitte, dass Sie keine Spannung auf diese Anschlüsse geben. Dies kann das Gerät sofort zerstören.

<p>15 VDC -</p> 	<p>Eingang 15 V DC Spannungsversorgung, Minuspol (-). Bitte verbinden Sie den schwarzen Draht des mitgelieferten Netzteils (Netzadapter) mit diesem Anschluss, wenn Sie das Gerät nicht mit PoE versorgen.</p> <p>NOTICE Kombinieren Sie die Stromversorgung per Steckernetzteil nicht mit der Stromversorgung per PoE.</p>
<p>15 VDC +</p> 	<p>Eingang 15 V DC Spannungsversorgung, Pluspol (+). Bitte verbinden Sie den roten Draht des mitgelieferten Netzteils (Netzadapter) mit diesem Anschluss, wenn Sie das Gerät nicht mit PoE versorgen.</p> <p>NOTICE Kombinieren Sie die Stromversorgung per Steckernetzteil nicht mit der Stromversorgung per PoE.</p>
<p>COM 1</p>	<p>Steckplatz für zukünftige autorisierte Peripheriegeräte von Bird Home Automation, z.B. Tastatur</p>
<p>CB 2</p>	<p>Steckplatz für den Anschluss einer zweiten Ruftaste</p>
<p>CB 1</p>	<p>Steckplatz für den Anschluss der ersten Ruftaste</p>

NOTICE Die Steckplätze „CB1“, „CB2“ und „COM1“ auf der Rückseite der elektrischen Haupteinheit dürfen nur zum Anschluss von Komponenten verwendet werden, die von Bird Home Automation zertifiziert sind.



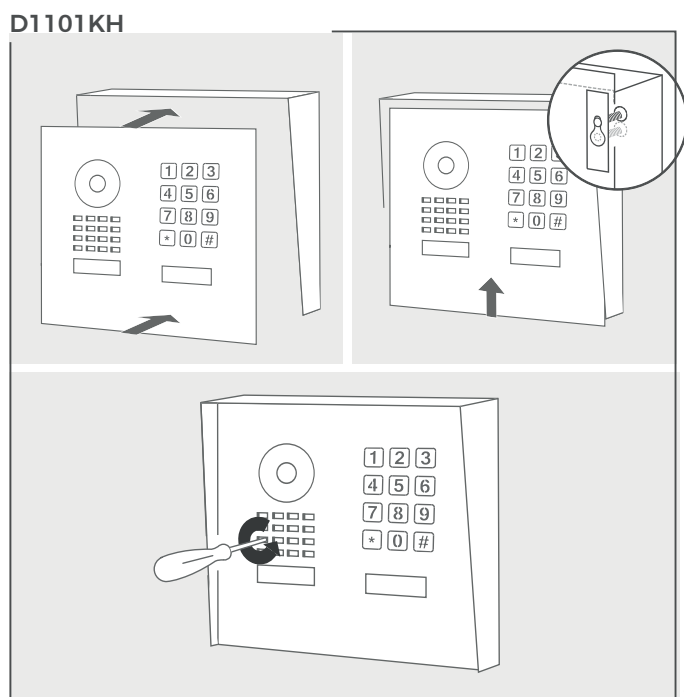
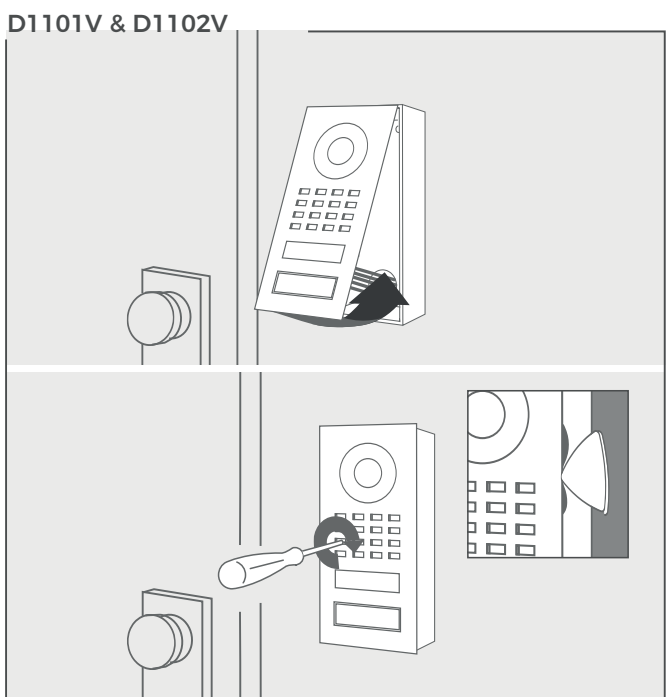
ANSCHLÜSSE DER RUFTASTE

SWITCH (4 PIN) Verwenden Sie das mitgelieferte vieradrige Ruftastenkabel, um die Ruftaste mit der elektrischen Haupteinheit zu verbinden (bereits im Auslieferungszustand am Steckplatz „CB1“ / „CB2“ angeschlossen).

NOTICE Bitte gehen Sie sorgsam beim Anschluss der Kabel und Drähte vor, ein falscher Anschluss kann das Gerät zerstören. Drähte ohne Isolierungen dürfen nicht aus dem grünen Schraubklemmenblock herausragen, dies kann zu einem elektrischem Kurzschluss und zur Zerstörung des Geräts führen.

8 MONTAGE DES GERÄTES AN DAS RÜCKGEHÄUSE

Montieren Sie die Frontblende inklusive der elektrischen Haupteinheit vorsichtig mit Hilfe der mitgelieferten Schraubendreher am Montagegehäuse. Drehen Sie die Sicherheitsschrauben im Uhrzeigersinn bis sie festangezogen sind.





Ziehen Sie die Sicherheitsschrauben nur von Hand an (weniger als 5 Newtonmeter[Nm]), da sonst das Gehäuse der Hauptelektronik beschädigt werden kann.



Sollte etwas von der Schaumgummidichtung unter der Frontblende hervorstehen, können Sie diese vorsichtig mit dem beiliegenden Dreieckstool zurechtdrücken. Bitte drücken Sie nicht zu fest, damit die Dichtung nicht zu weit in das Innere des Gehäuses gedrückt und das Gerät damit undicht wird.

9

INBETRIEBNAHME

Wenn das Gerät per Steckernetzteil mit Strom versorgt werden soll, stecken Sie das Steckernetzteil des Geräts in eine Wandsteckdose. Wenn das Gerät per PoE mit Strom versorgt werden soll, schalten Sie den PoE-Switch/PoE-Injektor ein, der mit dem Gerät verbunden ist. Wenn das Gerät über die Hutschienenstromversorgung versorgt werden soll, schalten Sie die Hutschienenstromversorgung ein.

Ob das Gerät mit Strom versorgt ist, sehen Sie anhand der Diagnose-LED. Diese leuchtet nach ein paar Sekunden in grün, nachdem man die Stromversorgung angeschlossen hat. Das Gerät ist nun betriebsbereit.

Sollte die Diagnose-LED nicht leuchten, prüfen Sie bitte die Stromversorgung. Wenn Sie ein Steckernetzteil und nicht PoE verwenden, prüfen Sie insbesondere, ob Sie den Pluspol und Minuspol korrekt an das Gerät angeschlossen haben.

Das Gerät ist betriebsbereit (Bootvorgang, etwaige Softwareupdates etc.), sobald dieses einen kurzen Diagnose-Ton aus dem integrierten Lautsprecher ausgegeben hat. Dies kann bis zu 5 Minuten dauern.

10

DOWNLOAD UND INSTALLATION DER APP

Laden Sie sich die App "DoorBird" von Bird Home Automation aus dem Apple App Store bzw. Google Play Store auf Ihr mobiles Endgerät. Die stets aktuelle Version der App Bedienungsanleitung finden Sie unter www.doorbird.com/de/support

Wenn Sie das Gerät über WLAN mit Ihrem Internet-Router verbinden, gehen Sie zunächst in die DoorBird App > „WiFi Setup“ und folgen Sie den Anweisungen.

Wenn Sie das WLAN-Setup abgeschlossen oder das Gerät über ein Netzwerkkabel mit Ihrem Internet-Router verbunden haben, gehen Sie in der DoorBird App auf „Gerät hinzufügen“ und klicken Sie auf das QR-Code Symbol im Feld „Benutzer“. Scannen Sie den Benutzer QR-Code auf dem beiliegenden „Digital Passport“.

Falls Sie Probleme beim Hinzufügen des Geräts zur App haben, prüfen Sie bitte, ob das Gerät online ist (www.doorbird.com/de/checkonline). Sollte das Gerät nicht online sein, prüfen Sie bitte die Netzwerkverbindung und Stromversorgung des Geräts.

DIAGNOSE-LED

Ob das Gerät mit Strom versorgt ist, sehen Sie anhand der Diagnose-LED. Diese leuchtet nach ein paar Sekunden, nachdem man die Stromversorgung angeschlossen hat.

Die Diagnose-LED ist so konzipiert, dass sie nur leicht aufleuchtet.

DIAGNOSE-TÖNE

Nach ca. einer Minute gibt das Gerät nach dem Anschluss an die Stromversorgung / Netzwerk / Internet kurze Diagnosetöne von sich.

LINSE

Das Produkt verwendet eine entzerrte Wide-Eye hemisphärische Linse (HD). Aufgrund des großen Erfassungswinkel (horizontal, vertikal, diagonal) kann ein kleiner Rand in den Ecken des Bildes sowie Reflexionen im Bild von der Oberfläche auf der Vorderseite des Geräts in Erscheinung treten.

BEWEGUNGSSENSOR

Das Gerät verfügt über einen integrierten Bewegungssensor mit 4D Technologie. Sie können diesen für zahlreiche Anwendungen nutzen, z.B. um einen Alarm an ein mobiles Endgerät zu senden oder um ein Relais zu schalten, das ein Außenlicht einschaltet.

Die einstellbare Entfernung ist optimiert auf eine 1,75m große 70kg schwere Person in freier Umgebung. Die Genauigkeit der Entfernung des Bewegungssensor kann je nach Umgebungssituation variieren.

BLUETOOTH TRANSCEIVER

Das Gerät verfügt über einen integrierten Bluetooth® Transceiver. Wir werden in Kürze weitere Funktionen für interessante Anwendungen hinzufügen. Bitte besuchen Sie unseren Firmen-News-Blog oder die neueste Version dieses Handbuchs unter www.doorbird.com/support für Updates.

API

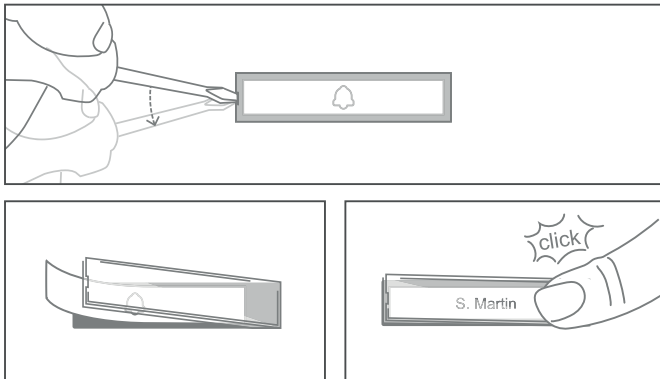
Das Gerät verfügt über eine gut dokumentierte API für die Integration in Anwendungen Dritter. Weitere Informationen finden Sie unter www.doorbird.com/de/api

DOORBIRD CONNECT

Das Gerät bietet viele Möglichkeiten zur Intergration in Anwendungen von Drittanbietern. Informationen, Bedingungen und Konditionen finden Sie unter www.doorbird.com/connect

BESCHRIFTUNG EINES NAMENSSCHILDS WECHSELN

Nur relevant für Geräte mit einem oder mehr Ruftasten mit Namensschild.



WARTUNG DER FRONTPLATTE

Pflege und Reinigung

Alle DoorBird Frontblenden werden aus hochwertigen Materialien gefertigt und sind für eine lange Lebensdauer ausgelegt. Da Türstationen meistens im ungeschützten Außenbereich montiert werden, sind sie widrigen Witterungsbedingungen und aggressiven Substanzen ausgesetzt, insbesondere an Straßen, in Küstennähe und in Industriegebieten. Bitte beachten Sie daher folgende Hinweise zur Pflege. Wir können leider für Schäden keine Haftung übernehmen, wenn diese Hinweise nicht beachtet werden.

NOTICE Aggressive Verschmutzungen wie z.B. Vogelkot sollten schnellstens entfernt werden.

NOTICE Bitte benutzen Sie niemals scheuernde oder schleifende Reinigungsmittel wie Stahlwolle oder Scheuermilch!

Meistens genügt schon warmes Wasser, gegebenenfalls mit etwas Spülmittel, ein weiches Tuch oder Bürste. Kunststoffteile (Kamera oder Namensschilder) dürfen nicht mit einem Metallpflegemittel behandelt werden. Entfernen Sie nach der Pflege alle Reste und Rückstände von Reinigungs- oder Schmiermitteln, um Flecken oder Verfärbungen zu vermeiden.

Edelstahl

Für DoorBird Türstationen werden ausschließlich hochwertige Edelstähle verwendet. Aber auch hochwertiger Edelstahl kann rosten, denn Edelstahl besteht zu ca. 70 % aus Eisen. Die Rostbeständigkeit wird lediglich durch eine Schutzschicht (auch Passivschicht

genannt) erzeugt, die sich wie eine Haut über das Eisen legt. Diese Schutzschicht besteht im Wesentlichen aus Chrom und anderen Edelmetallen.

Eisenpartikel, Schleifstaub und Späne, die sich auf Edelstahl ablagern, können zu Korrosion führen (Flugrost). Diese Eisenteile in der Luft sind überall zu finden, aber besonders in Industriegebieten, in Küstennähe und an stark befahrenen Straßen. Bitte entfernen Sie eisenhaltige Ablagerungen umgehend, da sie bei Nichtentfernen Ihre Türstation angreifen und zu echtem Rost führen. Zur Rostbeseitigung genügt ein einfaches Abwischen des Staubes, darüber hinaus ist ein Pflegemittel zu empfehlen, wie z.B. WD 40, erhältlich u.a. bei Amazon für unter € 5,00. Einfach dünn auftragen und verreiben. Gleiches gilt, wenn sich an den Gravuren in der Edelstahloberfläche Rost bildet.

Zement- oder Kalkspritzer sollte man so schnell wie möglich vor ihrer Aushärtung vorsichtig mit einem Holzspatel abtragen.

Folgende Reinigungsmittel dürfen nicht verwendet werden, da sie die Korrosionsbeständigkeit verringern:

- Chloridhaltige und salzsäurehaltige Produkte
- Bleichmittel (bei versehentlichem Gebrauch gründlich mit Wasser abspülen)
- Silberputzmittel

Nach jeder Reinigung mit klarem Wasser nebelfeucht nachwischen und trockenreiben, um die Bildung von Kalkspuren zu verhindern. Durch Nutzung von entmineralisiertem Wasser lassen sich Kalkrückstände vermeiden.

Edelstahl PVD beschichtet

PVD beschichtete, verchromte oder vergoldete Oberflächen empfehlen wir mit fettlösendem Spülmittel und klarem Wasser oder mit einem sauberen und staubfreien Mikrofasertuch zu reinigen. Bei Hochglanzoberflächen ist ein kratzfreies Tuch (z. B. Brillenputztuch, Möbelpoliertuch o. ä.) zu verwenden.

Lackierte Oberflächen

Reinigen Sie Lackoberflächen und Beschriftungen mit einem mit milder Seifenlösung angefeuchteten, weichen, kratzfreiem Tuch (z. B. Brillenputztuch, Möbelpoliertuch o. ä.). Damit keine Flecken oder Verfärbungen entstehen, sollte das Pflegemittel rückstandslos abgewischt werden. Gehen Sie bei Beschriftungen besonders behutsam vor, um die Folie oder den Aufdruck nicht zu beschädigen.



—TROUBLESHOOTING

Das Gerät startet nicht

Wenn das Gerät per Steckernetzteil mit Strom versorgt werden soll, stecken Sie das Steckernetzteil des Geräts in eine Wandsteckdose. Wenn das Steckernetzteil bereits an eine Steckdose angeschlossen war, überprüfen Sie, ob die Kabel und Leitungen korrekt an die grünen Schraubklemmanschlüsse des Geräts angeschlossen sind. In den meisten Fällen hilft das Entfernen der Kabel und Leitungen von den Schraubklemmanschlussteckern und das Wiederverbinden mit den Schraubanschlussteckern (loser Kontakt). Wenn Sie mehr als ein Gerät gleichzeitig mit einem gemeinsamen Netzteil betreiben, prüfen Sie, ob das Netzteil über die gesamte Kabellänge ausreichend Strom liefern kann und die Kabel dafür ausgelegt sind.

Wenn das Gerät per PoE mit Strom versorgt werden soll, schalten Sie den PoE-Switch / PoE-Injektor ein, der mit dem Gerät verbunden ist. Wenn das PoE-Switch / PoE-Injektor bereits eingeschaltet war, überprüfen Sie, ob die Kabel und Leitungen korrekt an die grünen Schraubklemmanschlüsse des Geräts angeschlossen sind. In den meisten Fällen hilft das Entfernen der Kabel und Leitungen von den Schraubklemmanschlussteckern und das Wiederverbinden mit den Schraubanschlussteckern (loser Kontakt). Wenn das Problem weiterhin besteht, überprüfen Sie bitte, ob Ihr PoE-Switch / PoE-Injektor den PoE-Standard IEEE 802.3af Mode A unterstützt, siehe auch www.doorbird.com/de/poe

Wenn das Gerät über ein Hutschinennetzteil versorgt werden soll, schalten Sie die das Hutschinennetzteil jetzt ein. Wenn das Hutschinennetzteil bereits eingeschaltet war, überprüfen Sie, ob die Kabel und Leitungen korrekt an die grünen Schraubklemmanschlüsse des Geräts angeschlossen sind. In den meisten Fällen hilft das Entfernen der Kabel und Leitungen von den Schraubklemmanschlussteckern und das Wiederverbinden mit den Schraubanschlussteckern (loser Kontakt). Wenn Sie mehr als ein Gerät gleichzeitig mit einem gemeinsamen Netzteil betreiben, prüfen Sie, ob das Netzteil über die gesamte Kabellänge ausreichend Strom liefern kann und die Kabel dafür ausgelegt sind.

Das Gerät verbindet sich nicht über ein Netzwerkkabel mit dem Netzwerk („No Network“ Diagnosetou).

In den meisten Fällen hilft das Entfernen der Kabel und Leitungen von den Schraubklemmanschlussteckern und das Wiederverbinden mit den Schraubanschlussteckern (loser Kontakt). Wenn das Problem weiterhin besteht, überprüfen Sie bitte, ob das Netzwerkkabel ordnungsgemäß mit Ihrem Router/Switch verbunden ist und das Netzwerkkabel nicht beschädigt ist.

Wenn das Problem weiterhin besteht, überprüfen Sie bitte, ob Ihr Router „DHCP Server“ eingeschaltet hat und dem Gerät eine IP-Adresse zuweisen kann.

Das Gerät stellt keine Verbindung zum Internet her („No Internet“ Diagnosetou).

In den meisten Fällen ist Ihr Internet nicht erreichbar/gestört oder Ihr Router blockiert den Internetzugang für das Gerät. Bitte besuchen Sie www.doorbird.com/downloads/ports.pdf

Wenn das Problem weiterhin besteht, überprüfen Sie bitte ob das DHCP Ihres Routers aktiviert ist und dem Gerät eine IP-Adresse zuweisen kann.

Das Gerät stellt keine Verbindung zum Internet her

In den meisten Fällen ist Ihr Internet nicht erreichbar/gestört oder Ihr Router blockiert den Internetzugang für das Gerät. Bitte besuchen Sie www.doorbird.com/downloads/ports.pdf

RECHTLICHE HINWEISE

Allgemeines

1. DoorBird ist ein registriertes Warenzeichen der Bird Home Automation GmbH.
2. Apple, das Apple Logo, Mac, Mac OS, Macintosh, iPad, Multi-Touch, iOS, iPhone und iPod touch sind Warenzeichen von Apple Inc.
3. Google, Android und Google Play sind Warenzeichen von Google, Inc.
4. Die Bluetooth® Wortmarke und Logos sind Warenzeichen von Bluetooth SIG, Inc.
5. Alle anderen Firmen- und Produktnamen können Warenzeichen der jeweiligen Firmen sein, mit denen sie in Verbindung gebracht werden.
6. Änderungen an unseren Produkten, die dem technischen Fortschritt dienen, behalten wir uns vor. Die abgebildeten Produkte können im Zuge der ständigen Weiterentwicklung auch optisch von den ausgelieferten Produkten abweichen.
7. Abdrucke oder Übernahme von Texten, Abbildungen und Fotos in beliebigen Medien aus dieser Anleitung – auch auszugsweise – sind nur mit unserer ausdrücklichen schriftlichen Genehmigung gestattet.
8. Die Gestaltung dieser Anleitung unterliegt dem Urheberrecht. Für eventuelle Irrtümer, sowie inhaltliche- bzw. Druckfehler (auch bei technischen Daten oder innerhalb von Grafiken und technischen Skizzen) übernehmen wir keine Haftung.
9. Unsere Produkte entsprechen den in Deutschland, der EU und USA geltenden technischen Richtlinien, elektrischen Bestimmungen und Telekommunikationsbestimmungen.

Datenschutz und Datensicherheit

1. Für maximale Sicherheit verwendet das Gerät dieselben Verschlüsselungstechnologien wie beim Onlinebanking. Zu Ihrer Sicherheit sind auch keine Portweiterleitungen oder DynDNS im Einsatz.
2. Der Standort des Rechenzentrums für den Fernzugriff per App über das Internet ist verbindlich in der EU, wenn der festgestellte Internet IP-Adressen Standort des Geräts in der EU ist. Das Rechenzentrum wird nach strengsten Sicherheitsstandards betrieben.
3. Video-, Audio- und jede andere Überwachungsmethode können durch Gesetze geregelt werden, die von Land zu Land variieren. Überprüfen Sie die Gesetze in Ihrer Region vor der Installation und Verwendung dieses Gerätes für Überwachungszwecke.

Wenn es sich bei dem Gerät um eine Tür-, Innenstation oder Kamera handelt:

- In vielen Ländern darf Videobild und Sprache erst dann übertragen werden, wenn ein Besucher geklingelt hat (Datenschutz, konfigurierbar in der App)
- Führen Sie die Montage so durch, dass sich der Erfassungsbereich der Kamera ausschließlich auf den unmittelbaren Eingangsbereich beschränkt.
- Das Gerät verfügt ggf. über eine integrierte Besucherhistorie und Bewegungssensor. Sie können diese Funktionen, wenn erforderlich, aktivieren/deaktivieren.

Erkundigen Sie sich beim Eigentümer und Ihrer Hausgemeinschaft, ob Sie dieses Produkt installieren und verwenden dürfen. Bird Home Automation GmbH übernimmt keine Verantwortung für den Missbrauch oder die Fehlkonfiguration dieses Produkts, auch nicht durch unerwünschtes Öffnen einer Tür.

Bird Home Automation kann nicht für Schäden haftbar gemacht werden, die durch unsachgemäße bestehende Installationen oder unsachgemäße Installation entstehen.

Weisen Sie bei Erfordernis an geeigneter Stelle und in geeigneter Form auf das Vorhandensein des Geräts hin.

Beachten Sie alle am Installationsort geltenden relevanten landespezifischen gesetzlichen Regelungen für den Einsatz von Überwachungskomponenten und Überwachungskameras.

Software Updates bzw. Aktualisierungen des Betriebssystems (so genannte „Firmware-Updates“) werden im Normalfall automatisch in die Produkte der Bird Home Automation GmbH über das Internet eingespielt, sofern technisch möglich. Mit automatischen Firmware-Updates wird die Software der Produkte auf dem neuesten verfügbaren Stand gehalten, damit sie stets zuverlässig, sicher und leistungsstark arbeiten. Durch Weiterentwicklung können Funktionen im Zeitverlauf hinzugefügt, erweitert oder geringfügig geändert werden. Größere Änderungen bzw. Einschränkungen bereits vorhandener Funktionen erfolgen im Normalfall nur, sofern Bird Home Automation GmbH dies für erforderlich hält (z.B. aus Datenschutz-, Datensicherheits- oder Stabilitätsgründen oder um sie auf dem Stand der Technik zu halten). Wenn ein Firmware-Update verfügbar ist, verteilen es die Server der Bird Home Automation GmbH im Normalfall automatisch an alle kompatiblen Produkte, die mit dem Internet bzw. Server der Bird Home Automation GmbH verbunden sind. Dieser Prozess erfolgt schrittweise und kann mehrere Wochen dauern. Wenn ein Produkt ein Firmware-Update erhält, installiert es dieses und startet im Normalfall neu. Installierte Firmware-Updates können nicht rückgängig gemacht werden. Da es sich bei den Produkten und der Software der Bird Home Automation GmbH nicht um explizit kundenspezifisch entwickelte Produkte handelt, kann ein Kunde ein automatisches Update nicht verwehren, sofern das Produkt mit dem Internet bzw. Server der Bird Home Automation GmbH verbunden ist.

Entsorgungshinweis

Gerät nicht im Hausmüll entsorgen! Elektronische Geräte sind entsprechend der Richtlinie über Elektro- und Elektronik Altgeräte zu entsorgen, z.B. über die örtlichen Sammelstellen für Elektronik-Altgeräte.

Herausgeber

Bird Home Automation GmbH
 Uhlandstraße 165
 10719 Berlin
 Deutschland
 Web: www.doorbird.com
 Email: hello@doorbird.com

MANUEL D'INSTALLATION

Lisez soigneusement ce manuel avant de mettre en marche les divers éléments. Conservez ce manuel pour une éventuelle consultation ultérieure !

Si vous transmettez cet appareil à d'autres personnes dans le futur, transmettez-leur également ce manuel. Vous trouverez la toute dernière version du manuel d'installation à l'adresse www.doorbird.com/support. Pour simplifier les termes, nous utiliserons le mot « appareil » pour parler du produit « portier vidéo IP » et le mot « appareil mobile » pour parler d'un smartphone ou d'une tablette.

Responsabilité

Ce document a été rédigé minutieusement afin de permettre à nos utilisateurs de bien utiliser notre appareil. Nous vous remercions d'informer Bird Home Automation GmbH d'éventuelles inexactitudes ou omissions. Bird Home Automation GmbH décline toute responsabilité en cas d'inexactitudes techniques ou d'erreurs typographiques, et se réserve le droit de procéder sans préavis à des modifications de ses produits et de ses manuels d'installation. Bird Home Automation GmbH ne donne aucune garantie quant au contenu de ce document, y compris, mais sans s'y limiter, en ce qui concerne les garanties implicites de qualité marchande et d'adéquation à un usage particulier. Bird Home Automation GmbH ne peut être tenue responsable des dommages accessoires et consécutifs en lien avec la mise à disposition, la mise en œuvre ou l'utilisation de ce matériel. L'appareil ne peut être utilisé que pour l'usage auquel il est destiné.

Modifications apportées à l'appareil

Cet appareil doit être installé et utilisé conformément aux instructions figurant dans le manuel d'installation. Ce dispositif ne contient aucun composant nécessitant un entretien par l'utilisateur. Les modifications ou changements non autorisés invalideront toutes les certifications et approbations réglementaires applicables

Symboles utilisés



Danger : indique une situation dangereuse qui, si rien n'est fait pour l'éviter, entraîne la mort ou des blessures graves.



Mise en garde : indique une situation dangereuse qui, si rien n'est fait pour l'éviter, peut entraîner la mort ou des blessures graves.



Prudence : indique une situation dangereuse qui, si rien n'est fait pour l'éviter, peut entraîner des lésions légères.



Remarque : indique une situation dangereuse qui, si rien n'est fait pour l'éviter, peut entraîner des dommages matériels.



Important : indique la présence d'informations importantes garantissant le fonctionnement correct du produit.



Indication : indique la présence d'informations utiles en vue de l'utilisation optimale de l'appareil.

Indications de danger



WARNING

- L'installation, le montage et les travaux d'entretien des appareils électriques doivent être exclusivement réalisés par un spécialiste agréé. En ne respectant pas cette consigne, vous risquez de vous exposer à de graves dangers pour votre santé ou à un danger de mort par électrocution.
- Appareils avec raccordement 110-240 V : l'appareil ne doit être raccordé qu'à une prise de courant facilement accessible. En cas de danger, débranchez l'adaptateur secteur.
- Pour l'alimentation électrique de l'appareil, utilisez uniquement l'adaptateur secteur original livré avec l'appareil, ou l'un des connecteurs PoE / injecteurs PoE recommandés dans ce manuel.
- En raison de la charge électrostatique, le contact direct avec le circuit imprimé peut entraîner la destruction de l'appareil. Le contact direct avec le circuit imprimé doit donc être évité à tout moment.
- Respectez les normes EN 60065, EN 60950 et EN 62368.
- N'utilisez pas l'appareil si celui-ci présente en apparence des dommages extérieurs, comme par exemple des dommages au boîtier, aux éléments de commande ou aux prises de raccordement, ou s'il présente un dysfonctionnement quelconque. En cas de doute, veuillez faire contrôler l'appareil par un spécialiste agréé.
- N'ouvrez pas l'appareil. car cela annulera votre garantie. Aucune pièce de l'appareil ne nécessite un entretien par l'utilisateur. En cas d'erreurs, veuillez faire contrôler l'appareil par un spécialiste agréé.
- Pour des raisons de sécurité, d'homologation et de licences (CE/FCC/IC etc.), il est interdit de procéder à des transformations et/ou des modifications de l'appareil sans autorisation.
- Cet appareil n'est pas un jouet ! Ne laissez pas les enfants jouer avec celui-ci. Ne laissez pas traîner le matériel d'emballage, les films et sachets en plastique, les morceaux de polystyrène, etc. car ceux-ci peuvent être dangereux dans les mains d'un enfant.
- Posez les câbles de telle façon qu'ils ne deviennent pas un danger potentiel pour les personnes et les animaux domestiques.
- Il y a de la tension sur certaines pièces de l'appareil. Ne touchez aucune pièce non associée à l'installation, au câblage ou au



WARNING

branchement. Des décharges électriques peuvent en résulter.

- Maintenez les appareils non repris comme résistant aux intempéries à l'abri de l'eau et de tout autre liquide.
- Ne procédez jamais à une installation ni à des branchements lorsque l'alimentation électrique est activée. L'appareil pourrait en résulter endommagé et pourrait provoquer des décharges électriques.
- Avant de mettre sous tension, assurez-vous que les fils ne soient pas croisés et ne présentent pas de court-circuit. Il peut en résulter un incendie ou des décharges électriques.
- Il peut y avoir de la haute tension à l'intérieur de l'appareil. N'ouvrez pas l'appareil. Il peut en résulter des décharges électriques.
- L'appareil n'est pas protégé contre les explosions. Ne l'installez pas et ne l'utilisez pas à proximité de gaz ou de matériaux inflammables. Un incendie ou une explosion pourrait en résulter.
- N'installez pas deux alimentations en parallèle sur une même entrée. L'appareil pourrait en résulter endommagé et un incendie pourrait se déclarer. Veillez bien à ne raccorder qu'une seule alimentation électrique à l'appareil.
- Ne raccordez aucun terminal de l'appareil à une ligne d'alimentation. Il peut en résulter un incendie ou des décharges électriques.
- Assurez-vous que le câble d'alimentation ne soit ni endommagé, ni écrasé. Si le câble est rompu, il peut en résulter un incendie ou une décharge électrique.
- Ne branchez et ne débranchez jamais rien avec les mains mouillées. Cela pourrait provoquer des décharges électriques.
- N'introduisez pas de matériaux métalliques ou inflammables dans l'appareil. Cela pourrait provoquer un incendie, des décharges électriques ou des dysfonctionnements au niveau de l'appareil.
- Il peut y avoir de l'électricité à haute tension sur les câblages existants, comme le câblage du carillon de porte (et bien d'autres). L'appareil pourrait en résulter endommagé et pourrait envoyer des décharges électriques. Le câblage et l'installation doivent être effectués par un spécialiste agréé.
- Fixez l'appareil au mur ou au plafond et évitez les emplacements où l'appareil risquerait d'être exposé à des vibrations et à des chocs car cela pourrait endommager l'appareil.
- Pour les appareils munis d'une borne de terre, il faut un raccordement effectif à la terre. Dans le cas contraire, il existe des risques d'incendie et de dysfonctionnement de l'appareil.

- Pour les appareils contenant du plastique ou du verre véritable, n'exercez pas de forte pression sur le verre. La rupture de celui-ci peut occasionner des blessures.
- Pour les appareils avec écran LCD, si l'écran LCD est endommagé, n'entrez pas en contact avec les cristaux liquides car cela pourrait occasionner des blessures. Au besoin, rincez-vous la bouche, nettoyez vos yeux ou votre peau à l'eau claire pendant 15 minutes au minimum et consultez votre médecin traitant.
- Ne déposez rien sur l'appareil et ne le recouvrez pas de tissu, de silicone, de colle, ou de tout autre revêtement, etc. Il pourrait en résulter un incendie et un dysfonctionnement de l'appareil.
- N'installez pas l'appareil à l'un des emplacements suivants car il pourrait s'ensuivre un incendie, une décharge électrique ou des dysfonctionnements au niveau de l'appareil :
 - Emplacements exposés à la lumière directe du soleil ou à proximité d'appareils de chauffage dont la température varie.
 - Emplacements exposés à la poussière, à l'huile, aux produits chimiques, à l'acide sulfurique (source chaude).
 - Emplacements soumis à des conditions d'humidité et d'humidité extrêmes, tels que des salles de bains, des caves, des serres, etc.
 - Emplacements où la température est très basse, p. ex. une zone réfrigérée ou devant un climatiseur.
 - Emplacements exposés à la vapeur et à la fumée (p. ex. à proximité de surfaces chauffantes ou de cuisson).
 - Emplacements à proximité immédiate d'appareils émettant du bruit, tels que des gradateurs ou des appareils électriques à onduleur.
 - Emplacements soumis à de fréquentes vibrations ou chocs.
- Pour les appareils avec fonction interphone, assurez-vous d'effectuer un test d'appel avec un faible volume audio sur les deux appareils. Un appel soudain ou un autre incident du même type, peut se produire et causer des dommages à votre ouïe.
- Si l'appareil ne fonctionne pas correctement, débranchez l'alimentation.
- Les appareils qui ne sont pas repris comme résistants aux intempéries sont conçus pour un usage intérieur uniquement et ne doivent pas être utilisés à l'extérieur.
- Ne pas pulvériser d'eau à haute pression sur les appareils qui sont repris comme résistant aux intempéries. Des dysfonctionnements au niveau de l'appareil pourraient s'ensuivre.
- Nous déclinons toute responsabilité en cas de

dommages matériels ou corporels suite à une manipulation inappropriée ou au non-respect des instructions de sécurité. Dans ce type de cas, il n'existe aucun recours en garantie ! Nous déclinons toute responsabilité en cas de dommages indirects.

Consignes de sécurité

NOTICE

- L'appareil doit être utilisé conformément aux lois et règlements locaux.
- Stockez l'appareil dans un endroit sec et aéré.
- Évitez d'exposer l'appareil à des chocs ou à une forte pression.
- N'installez pas l'appareil sur des supports, surfaces ou parois instables. Assurez-vous que le matériau utilisé soit suffisamment stable pour supporter le poids de l'appareil.
- Lors de l'installation de l'appareil, utilisez uniquement des outils appropriés. L'utilisation d'une force excessive avec les outils peut endommager l'appareil.
- N'utilisez pas de produits chimiques, d'agents caustiques ou de nettoyeurs en aérosol.
- Pour le nettoyage, utilisez un chiffon propre et sec.
- Utilisez exclusivement des accessoires conformes aux spécifications techniques de l'appareil. Ceux-ci sont disponibles chez Bird Home Automation GmbH.
- Utilisez exclusivement des pièces de rechange fournies ou recommandées par Bird Home Automation GmbH.
- N'essayez pas de réparer l'appareil vous-même. Pour toute réparation et pour tout entretien, adressez-vous à Bird Home Automation GmbH.
- Tenez l'appareil à une distance minimale d'un 1 mètre (3,3') des appareils de type four à micro-ondes, radio, TV, routeur sans fil et autres appareils sans fil.
- Pour les appareils équipés d'un interphone, d'un haut-parleur ou d'un microphone intégré, ou des appareils avec fonctions de transmission de signaux, installez les fils à plus de 30 cm (12") de distance du câblage AC 100 - 240 V. Un bruit induit par le courant alternatif et/ou un mauvais fonctionnement de l'appareil pourrait en résulter.
- Installez l'appareil dans un endroit accessible en cas d'inspections, de réparations et d'entretiens à venir.
- Si l'appareil est utilisé à proximité d'un téléphone mobile, des perturbations peuvent s'ensuivre.
- En cas de chute, l'appareil peut être

endommagé. Manipulez-le avec prudence.

- L'appareil est hors service en cas de panne de courant.
- Pour les appareils équipés d'un interphone, d'un haut-parleur ou d'un microphone intégré, le fonctionnement de l'appareil peut être entravé dans les endroits se trouvant à proximité d'antennes cellulaires ou de radiodiffusion / télévision.
- Pour les appareils à écran LCD, il est important de noter que, bien qu'un écran LCD soit fabriqué avec des techniques de très haute précision, il y aura toujours, inévitablement, une très petite partie de ses éléments visuels qui ne sera pas toujours éclairée, voire même pas éclairée du tout. Ceci n'est pas considéré comme un dysfonctionnement de l'appareil.
- Pour les appareils avec fonction interphone, les bruits ambiants autour de l'appareil peuvent entraver sa bonne communication. Ceci n'est pas considéré comme un dysfonctionnement.
- Pour les appareils requérant un nom d'utilisateur / mot de passe, l'utilisateur est responsable de l'accès à l'appareil au moyen d'un nom d'utilisateur / mot de passe. Veillez à utiliser un mot de passe qu'un tiers ne pourra pas deviner aisément. Nous vous recommandons également de modifier régulièrement votre mot de passe.
- Nous ne serons en aucun cas responsables des dommages causés par des pannes d'alimentation électrique, d'équipement de réseau ou de terminaux, des défaillances dues à des fournisseurs d'accès Internet et de réseaux cellulaires, des pannes telles que des lignes déconnectées et autres pertes de communication, ce qui rendrait impossible la fourniture de ce service et retarderait de quelque manière que ce soit ce service pour tout autre cause ne relevant pas de notre responsabilité, ou si une erreur ou des données manquantes se produisent pendant la transmission.

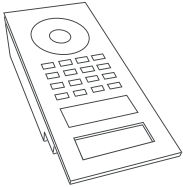
Transport

NOTICE Utilisez l'emballage d'origine ou un emballage équivalent pour éviter d'endommager l'appareil.

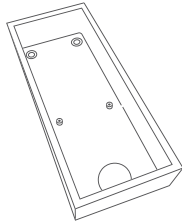
Garantie

Vous trouverez les informations relatives à la garantie en consultant la page www.doorbird.com/warranty

COMPOSANTS*



1x Unité électrique principale avec bouton(s) d'appel et face avant



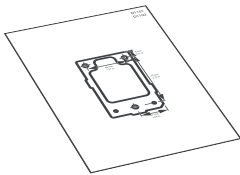
1x Boîtier arrière avec support mural



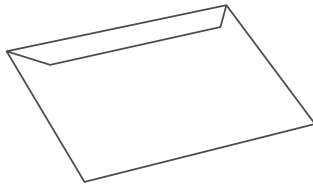
1x Manuel d'installation



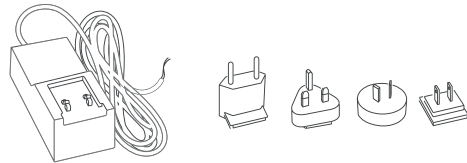
1x Guide rapide avec passeport digital



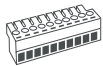
1x Gabarit de perçage



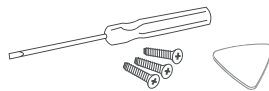
1x Papier A4 imperméable pour imprimante laser pour plaques nominatives



1x Bloc d'alimentation (adaptateur secteur) avec 4 adaptateurs pays



1x Borne de raccordement à vis

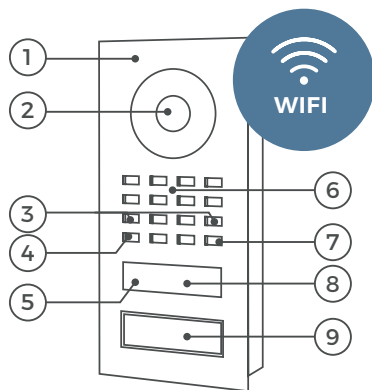


Petites pièces

* Les schémas figurant dans ce manuel peuvent différer du modèle acheté.

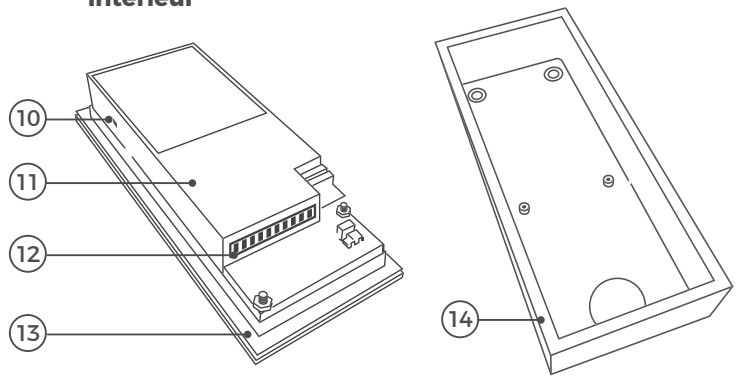
APPAREIL AVEC 1 BOUTON D'APPEL

Avant



- 1) Face avant
- 2) Vidéo HDTV
- 3) Vis de sécurité
- 4) Capteur de luminosité
Pour le mode vision nocturne
- 5) Émetteur-récepteur Bluetooth
- 6) Haut-parleur
- 7) Microphone
- 8) Capteur de mouvement 4D
- 9) Bouton d'appel éclairé avec plaque nominative

Intérieur

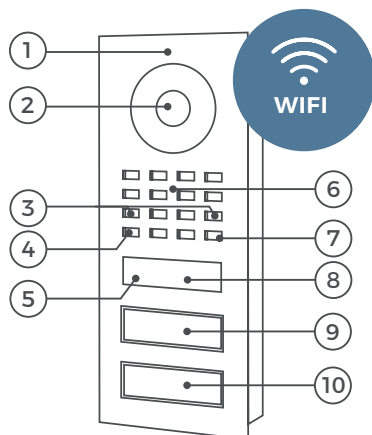


- 10) LED de diagnostic
S'allume quelques secondes
après avoir branché l'appareil
- 11) Unité électrique principale
- 12) Borne de raccordement à vis
- 13) Joint d'étanchéité
- 14) Boîtier de montage avec support mural

Le modèle encastré peut différer au niveau optique.

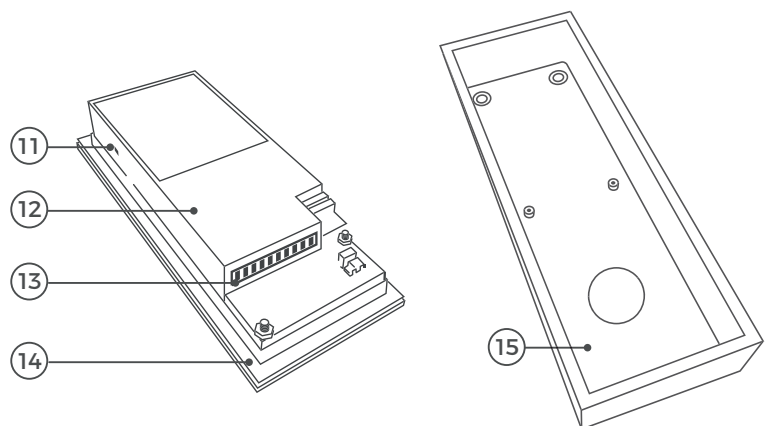
APPAREIL AVEC 2 BOUTONS D'APPEL

Avant



- 1) Face avant
- 2) Vidéo HDTV
- 3) Vis de sécurité
- 4) Capteur de luminosité
Pour le mode vision nocturne
- 5) Émetteur-récepteur Bluetooth
- 6) Haut-parleur
- 7) Microphone
- 8) Capteur de mouvement 4D
- 9) 1er bouton d'appel éclairé avec plaque nominative
- 10) 2d bouton d'appel éclairé avec plaque nominative

Intérieur

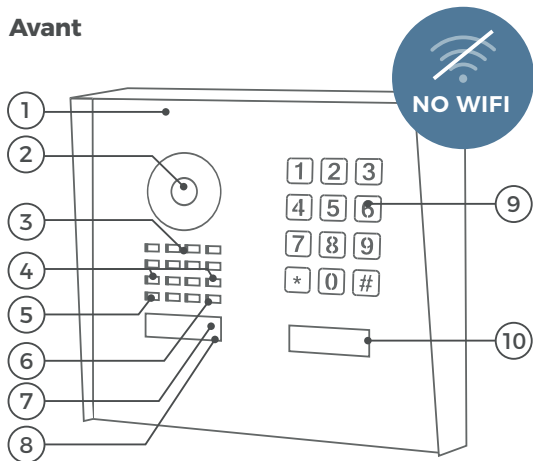


- 11) LED de diagnostic
S'allume quelques secondes
après avoir branché l'appareil
- 12) Unité électrique principale
- 13) Borne de raccordement à vis
- 14) Joint d'étanchéité
- 15) Boîtier de montage avec support mural

Le modèle encastré peut différer au niveau optique.

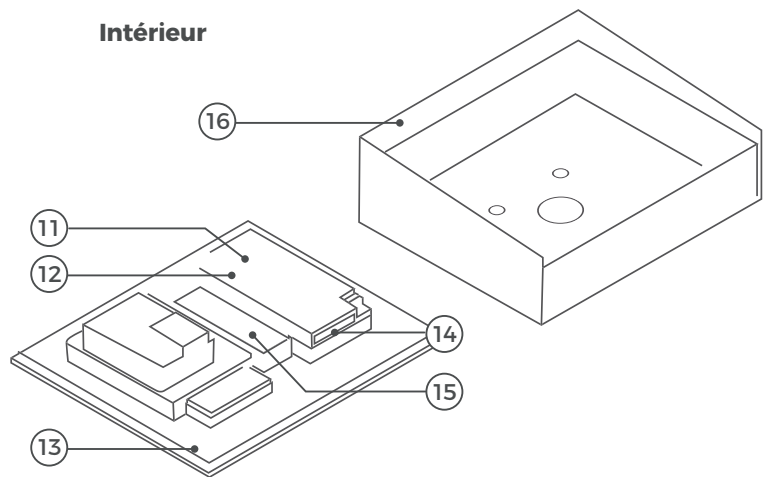
APPAREIL AVEC CLAVIER

Avant



- 1) Face avant
- 2) Vidéo HDTV
- 3) Haut-parleur
- 4) Vis de sécurité
- 5) Capteur de luminosité
Pour le mode vision nocturne
- 6) Microphone
- 7) Émetteur-récepteur Bluetooth
- 8) Capteur de mouvement 4D
- 9) Clavier
L'éclairage agit en même temps comme LED de diagnostic
- 10) Bouton d'appel „Modern“ éclairé (avec plaque nominative) ou bouton d'appel „Classic“ éclairé (rond)

Intérieur



- 11) Unité électrique principale
- 12) LED de diagnostic
S'allume quelques secondes après avoir branché l'appareil
- 13) Joint d'étanchéité
- 14) Borne de raccordement à vis
- 15) Logement pour convertisseur PoE Ethernet 2 fils A1071 (facultatif)
- 16) Boîtier de montage avec support mural

Le modèle encastré peut différer au niveau optique.

VIDÉOS

Avez-vous besoin d'aide pour l'installation ? Regardez nos vidéos d'installation qui se trouvent sur la page <https://www.doorbird.com/support>

Chaque étape de l'installation y est clairement documentée.

INSTALLATION

Toutes les étapes ci-dessous doivent être exécutées avec soin par un adulte compétent, en tenant compte de toute mesure de sécurité applicable. Veuillez nous contacter directement ou demander l'avis d'un spécialiste compétent.



Assurez-vous que tous les fils utilisés pour l'installation ne sont pas endommagés sur toute leur longueur et qu'ils sont adaptés à ce type d'utilisation.

Vitesse du réseau et composants du réseau

Veillez vous assurer que la vitesse de téléchargement de votre connexion Internet est d'au moins 0,5 Mbps. La qualité de l'expérience utilisateur dépend de la vitesse du réseau, de sa stabilité et de la qualité de ses composants, tels que le routeur Internet, les points d'accès WiFi ou les répéteurs WiFi. Veuillez également

vous assurer que les composants de votre réseau n'ont pas plus de deux ans, qu'ils ont été fabriqués par un fabricant renommé et qu'ils sont équipés du dernier firmware.

Si ces conditions ne sont pas remplies, il peut arriver, p. ex., que les performances audio et vidéo soient médiocres ou que les notifications automatiques soient retardées ou n'arrivent pas du tout sur votre smartphone ou tablette.

Conditions requises:

Internet à haut débit (réseau fixe) : DSL, câble ou réseau fibre optique.
Réseau : réseau Ethernet, avec DHCP.

1

COUPER LE COURANT



Coupez l'alimentation de tous les fils menant au site de montage, c'est-à-dire le carillon de porte, l'ouvre-porte électrique, le bloc d'alimentation de l'interphone vidéo, etc.

2

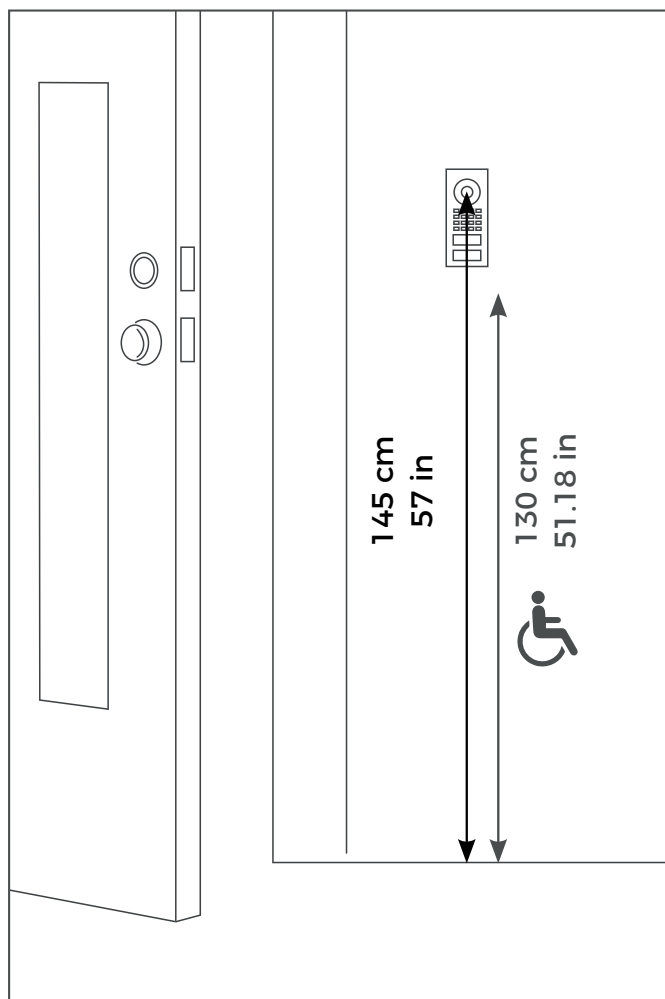
DÉMONTRE LA SONNETTE EXISTANTE

S'il y a déjà une sonnette ou un interphone vidéo sur le mur extérieur de la maison, veuillez l'enlever.

3

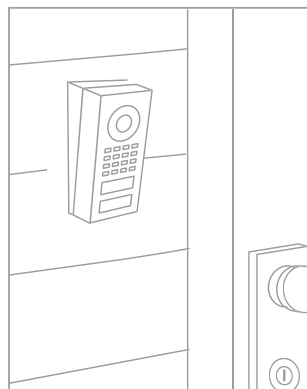
DÉTERMINER LE SITE DE MONTAGE

L'appareil utilise une lentille hémisphérique ultra grand angle, de ce fait, une faible hauteur d'installation est suffisante même si la personne se trouve à une distance minimale de 50 cm de l'appareil. La lentille n'est donc pas réglable mécaniquement. La lentille de l'appareil doit être placée à une hauteur d'au moins 145 cm (57 in). Vous devriez le vérifier avant le montage final.

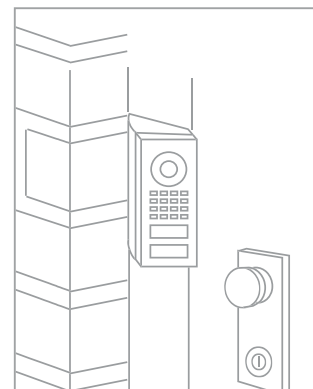


Pour les D1101V et D1102V uniquement

Nous proposons des kits de montage mural pour les modèles D1101V et D1102V avec montage en saillie : un adaptateur mural d'angle vertical (7,5° vertical vers le bas ou vers le haut) et un horizontal (45° horizontal, montage à gauche ou à droite).



A8001 Adaptateur mural d'angle (7,5°, montage vertical vers le bas ou vers le haut), vendu séparément



A8002 Adaptateur mural d'angle (45° horizontal, montage à gauche ou à droite), vendu séparément

Lors du choix du site de montage, tenez compte des conditions d'éclairage. Évitez la lumière directe du soleil, le rétroéclairage direct et les surfaces réfléchissantes.



N'exposez pas l'appareil à la lumière directe du soleil. La température du boîtier pourrait dépasser le maximum autorisé. Cela peut endommager les composants électriques et mécaniques de l'appareil et provoquer des blessures, surtout si l'on touche les parties extérieures de l'appareil. Les faces avant blanches et argentées brillantes absorbent moins la lumière du soleil que les faces avant foncées.



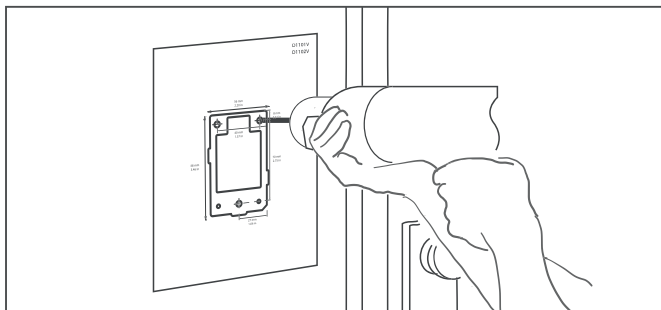
Un capteur d'images ne doit pas être exposé à la lumière directe du soleil pendant une période prolongée. La lumière directe du soleil „aveuglera“ la caméra et peut blanchir de façon permanente les petits filtres de couleur sur la puce du capteur d'images.



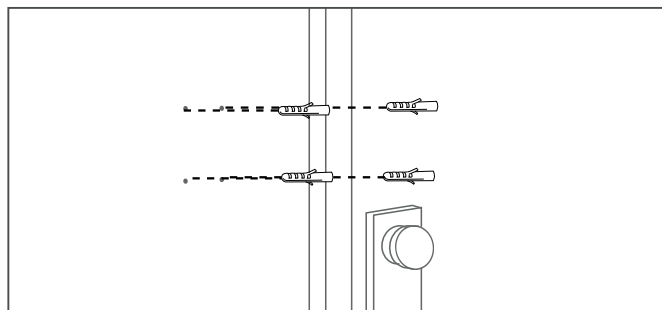
Les dommages causés par la lumière directe du soleil ne sont pas couverts par la garantie.

Le produit est disponible pour montage en saillie et encastré. Dans la version encastrée, la face avant est légèrement plus grande pour mieux couvrir le trou dans le mur et le boîtier de montage est entièrement en métal et pas en plastique.

Si vous utilisez le boîtier encastré, mettez le mur à niveau si besoin.



Si le mur de la maison n'est pas en bois, vous devez percer des trous de 5 mm (0.19 in) de diamètre dans le mur selon le gabarit de perçage, puis placer les chevilles fournies dans les trous.



Si le mur de la maison est en bois, les chevilles ne sont normalement pas nécessaires. Il existe des chevilles spéciales pour le montage de l'appareil sur un mur isolant, p. ex. les chevilles isolantes Fischer.



Si vous devez percer des trous dans un mur, insérer des vis dans un mur ou mettre à niveau un mur, assurez-vous qu'aucun câble ou conduite (gaz, eau, etc.) ne se trouve dans le mur.

4.1 ASSEMBLAGE DE LA FACE AVANT

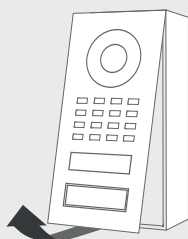
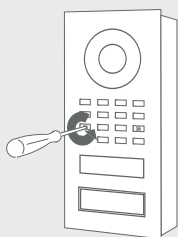
Retirez soigneusement du boîtier de montage la face avant et l'unité électrique principale qui y est fixée à l'aide du tournevis fourni.



Nous avons conçu la face avant et les vis de sécurité de manière à ce qu'elles ne puissent pas être vissés à travers la face avant afin qu'elles ne tombent pas / ne se perdent pas pendant l'installation.

D1101V & D1102V

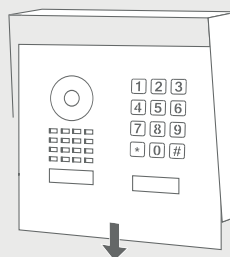
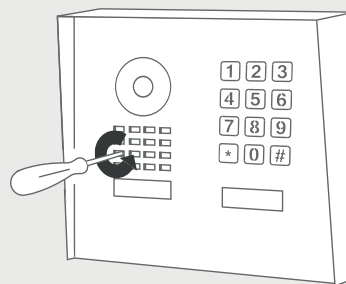
Tournez les vis de sécurité dans le sens inverse des aiguilles d'une montre afin de les desserrer.



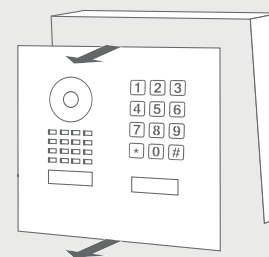
Tirez hors du boîtier de montage la face avant et l'unité électrique principale qui y est fixée.

D1101KH

Tournez les vis de sécurité dans le sens inverse des aiguilles d'une montre afin de les desserrer.



Tirez la face avant vers le bas.

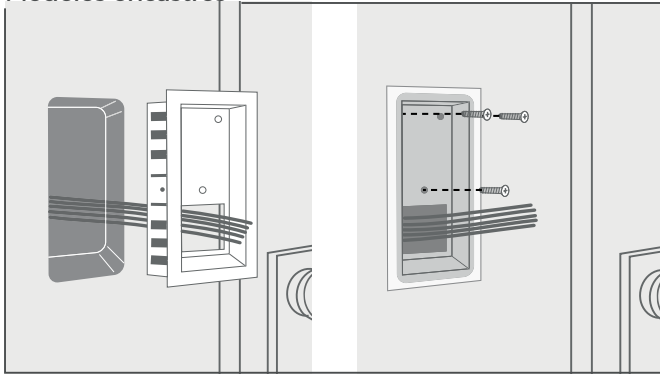


Tirez hors du boîtier de montage la face avant et l'unité électrique principale qui y est fixée.

4.2 MONTAGE

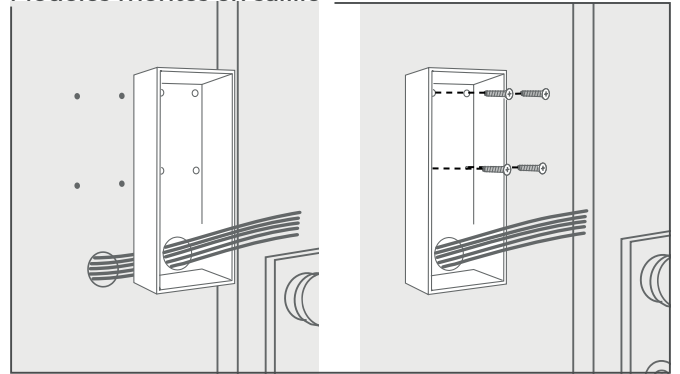
Faites passer tous les câbles et fils que vous souhaitez connecter à l'appareil par le boîtier de montage.

Modèles encastrés



Veillez vous assurer que le cadre extérieur du boîtier encastré repose sur l'extérieur du mur et que le bord du boîtier encastré est scellé tout autour afin d'éviter l'humidité de l'extérieur. Vissez le support mural du boîtier de montage au mur.

Modèles montés en saillie



Vissez le support mural du boîtier de montage au mur.

5

OPTIONS DE CONNEXION AU RÉSEAU

Vous pouvez connecter l'appareil au réseau en utilisant soit une connexion WiFi 2,4 GHz (uniquement pour D1101V et D1102V), soit un câble réseau.

OPTION 1

Câble de réseau
(recommandé, sans entretien)



Installez un câble réseau (qui est connecté à un commutateur/routeur réseau avec accès à Internet) depuis l'intérieur de votre bâtiment jusqu'au site de montage. La longueur maximale du câble réseau entre le site de montage et le commutateur/routeur réseau est de 80 m/262 ft (IEEE 802.3). Un commutateur de réseau peut être placé entre les deux si vous devez couvrir une distance de plus de 80 m/262 ft.



Si vous n'avez que deux fils disponibles sur le site de montage, vous pouvez utiliser le „Convertisseur 2 fils PoE Ethernet DoorBird A1071“, vendu séparément. Il vous permet de transférer des données réseau (Ethernet) et de l'alimentation (PoE) avec un simple câble à deux fils sur de longues distances. Il est en effet possible d'utiliser la technologie réseau sans avoir à modifier les câbles de bâtiments existants lorsqu'ils sont équipés d'un simple câble de sonnette à deux fils.

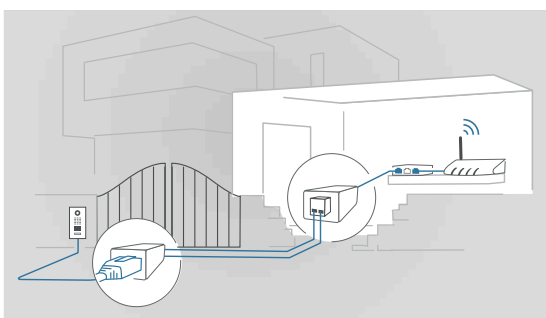
OPTION 2

WiFi 2.4 GHz
(Pour D1101V & D1102V uniquement)



Pour des raisons de stabilité du réseau, nous recommandons fortement d'utiliser un câble réseau, car le WiFi est sensible aux interférences (portée, murs de la maison faisant office de blindage, fiabilité des performances, réseaux WiFi de tiers), émetteurs sans fil provoquant des interférences dans la zone, etc.

Si vous utilisez le WiFi, assurez-vous d'avoir un bon signal sur le lieu de montage de l'appareil. Vous pouvez augmenter le signal WiFi en utilisant des „répéteurs WiFi“, qui amplifieront votre signal WiFi. Installez le répéteur WiFi à proximité du lieu de montage de l'appareil, généralement à l'intérieur de votre maison et à proximité de l'appareil.



L'appareil ne dispose pas de batterie comme source d'alimentation, choisissez donc une des options suivantes.

OPTION 1

Alimentation électrique à l'aide du bloc d'alimentation (adaptateur secteur)



Pour alimenter l'appareil à l'aide de l'adaptateur secteur fourni, 2 fils isolés sont nécessaires. Le bloc d'alimentation comporte un câble de 300 cm (9.8 ft) de long avec deux fils isolés. La connexion au réseau est ensuite établie par un câble réseau ou, alternativement, par WiFi.



L'adaptateur secteur fourni ne peut alimenter qu'un seul appareil. Il n'est pas conçu pour alimenter plusieurs appareils simultanément.

Si vous devez alimenter plusieurs appareils avec une seule alimentation, nous vous recommandons d'utiliser un commutateur PoE avec la norme PoE IEEE 802.3af Mode A ou une alimentation par rail DIN appropriée (voir „OPTION 3“).



Ne branchez pas encore le bloc d'alimentation dans la prise murale.

Utilisez uniquement le bloc d'alimentation fourni avec l'appareil, ou un bloc d'alimentation sur rail DIN (voir „OPTION 3“) que vous pouvez obtenir séparément dans notre boutique en ligne, car il est spécialement adapté électriquement et équipé d'un dispositif intégré de réduction des interférences audio. D'autres blocs d'alimentation peuvent détruire l'appareil ou entraver la qualité de transmission. La garantie est automatiquement annulée si vous utilisez un autre bloc d'alimentation.

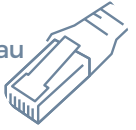
Le bloc d'alimentation est branché dans une prise murale à l'intérieur de votre maison (étape 10), généralement à l'endroit où les deux fils de votre site de montage sortent du mur à l'intérieur de la maison.



L'adaptateur secteur fourni n'est pas adapté à un usage extérieur, il est uniquement destiné à un usage intérieur.

OPTION 2

Alimentation électrique et connexion au réseau en utilisant le PoE (Power over Ethernet)



Pour alimenter l'appareil via un commutateur PoE (p. ex. le D-Link DGS-1008P) ou un injecteur PoE (p. ex. l'injecteur PoE Gigabit DoorBird A1091), utilisez un câble CAT.5 ou supérieur conforme à la norme PoE IEEE 802.3af Mode A.

Il est important d'utiliser un câble CAT.5 ou supérieur car les signaux du réseau ne peuvent être transmis que par des câbles complètement isolés, blindés et torsadés. Si vous utilisez le PoE comme source d'alimentation, les quatre fils destinés au PoE forment alors simultanément la ligne de données. L'appareil ne démarrera pas si votre commutateur PoE/injecteur PoE ne prend pas en charge la norme PoE IEEE 802.3af Mode A.



Si vous devez alimenter plusieurs appareils avec une seule alimentation, nous vous recommandons d'utiliser un commutateur PoE avec la norme PoE IEEE 802.3af Mode A ou une alimentation par rail DIN appropriée (voir „OPTION 3“).



Théoriquement (non recommandé !), un fil de sonnette non blindé, mais torsadé sur toute sa longueur (max. 80 m/262 ft) avec deux paires de fils (première paire de fils torsadés : „T+, T-“, 2ème paire de fils torsadés „R+, R-“) peut être utilisé pour la transmission sur le réseau et par PoE comme alternative à un câble de réseau Cat.5 ou plus. C'est comparable à un câble de réseau Cat.3. Nous ne pouvons pas garantir le débit des données ni la stabilité de la connexion au réseau et de l'alimentation électrique ; celle-ci doit être mesurée et vérifiée sur place par un professionnel qualifié pendant plusieurs heures (les données du réseau sont transmises à haute fréquence, c'est pourquoi il faut normalement utiliser un câble réseau blindé de Cat.5 torsadé par paires ou supérieur).



Ne combinez pas l'alimentation électrique provenant du bloc d'alimentation (adaptateur secteur) avec l'alimentation électrique via PoE.

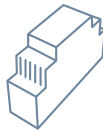
Vous trouverez de plus amples informations sur le PoE à l'adresse suivante : <https://www.doorbird.com/poe>



1. Déconnecter le commutateur/injecteur PoE du réseau électrique.
2. Placez le câble réseau sur le site d'installation de l'appareil.

OPTION 3

Alimentation électrique à l'aide d'un bloc d'alimentation sur rail DIN



Alternativement à l'adaptateur secteur, nous proposons des alimentations sur rail DIN dans notre boutique en ligne, qui peuvent être installées par un professionnel. La connexion au réseau se fait alors par

un câble réseau ou par WiFi.



Si vous devez alimenter plusieurs appareils avec une seule alimentation, nous recommandons d'utiliser un commutateur PoE avec la norme PoE IEEE 802.3af Mode A ou une alimentation appropriée sur rail DIN.

7

CONNEXION DE L'APPAREIL

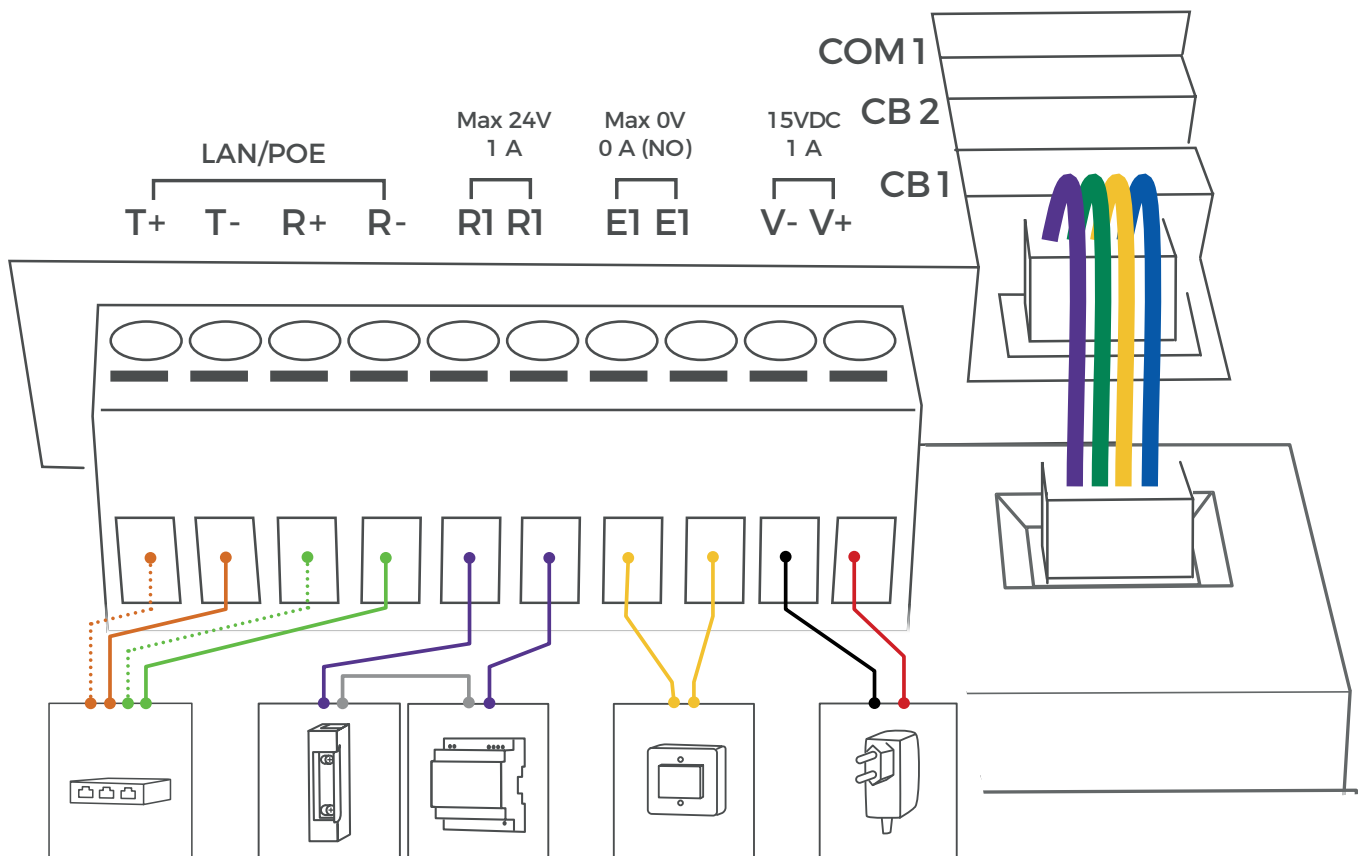
Il est possible de raccorder les câbles et les fils à l'appareil de manière simple et sûre grâce à la borne de raccordement à vis étiquetée. Vous pouvez maintenant raccorder tous les câbles et fils nécessaires à l'appareil.



Pour faciliter l'installation, nous vous recommandons vivement de retirer la fiche de la borne de raccordement à vis lorsque vous connectez les câbles et les fils.



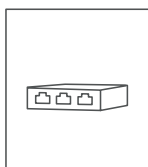
Veillez retirer tous les câbles et fils dont vous n'avez pas besoin et qui se trouvent dans les ports de connexion de l'appareil.



Port

Description

LAN/POE



L'appareil ne dispose pas d'une prise RJ45 standardisée intégrée pour assurer ...

- que l'appareil repose le plus à plat possible sur le mur.
- qu'aucun mur n'ait besoin d'être mis à niveau.
- qu'un câble d'installation solide et rigide de catégorie 6 ou 7 puisse être utilisé.

Utilisez uniquement les quatre fils (1, 2, 3 et 6) d'un câble réseau standard de catégorie 5 ou supérieure, provenant du routeur Internet, du commutateur PoE ou de l'injecteur PoE.

Câble réseau Cat.5 / Cat.6

T+ Fil du câble réseau blanc et orange (Numéro 1, Transmission de données +)



T- Fil du câble réseau orange (Numéro 2, Transmission de données -)



R+ Fil du câble réseau blanc et vert (Numéro 3, Réception de données +)



R- Fil du câble réseau vert (Numéro 6, Réception de données -)

Câble réseau Cat.7 (Cable d'installation)

T+ Fil du câble réseau blanc de la paire „orange/blanc“ (Numéro 1, Transmission de données +)



T- Fil de câble réseau orange de la paire „orange/blanc“ (Numéro 2, Transmission de données -)



R+ Fil du câble réseau blanc de la paire „vert/blanc“ (Numéro 3, Réception de données +)

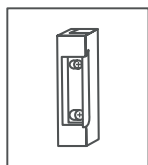
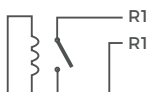


R- Fil du câble réseau vert de la paire „vert/blanc“ (Numéro 6, Recevoir les données -)



NOTICE N'alimentez pas l'appareil simultanément via l'alimentation électrique du bloc d'alimentation (adaptateur secteur) et via PoE.

R1, R1

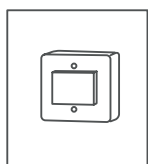


Relais de verrouillage bistable n° 1, max. 24 V DC/AC, 1 A. Dispositif de sécurité : Le relais conserve son état même en cas de perte de puissance. Vous pouvez configurer l'état par défaut du relais (ouvert/fermé) via la APP DoorBird. Ces ports peuvent être utilisés pour connecter, p. ex., un ouvre-porte électrique. L'appareil ne fournit pas de courant à l'appareil connecté. L'alimentation électrique de l'ouvre-porte électrique doit être installée séparément.



Lorsqu'un ouvre-porte électrique est câblé directement à un interphone vidéo, il existe un risque que l'ouvre-porte électrique soit manipulé par des intrus (p. ex. en cassant l'interphone vidéo et en court-circuitant le câblage de l'ouvre-porte). Par conséquent, nous recommandons généralement - pour une installation plus sûre dans votre maison - l'utilisation d'un relais de sécurité à distance monté à l'intérieur (p. ex. la commande de porte IP E/S DoorBird A1081) pour le câblage d'un ouvre-porte électrique .


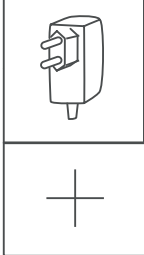
E1, E1



Entrée numérique (0 V, 0 A (NO)), pour le bouton d'ouverture de porte, max. 0 V DC/AC, 0 A. Ces ports peuvent être utilisés pour connecter, p.ex., un bouton d'ouverture de porte à l'intérieur de la maison. Il peut déclencher le relais de verrouillage bistable de l'appareil (R1, R1)



NOTICE Veuillez vous assurer de ne pas ajouter de tension sur ces ports. Une tension supplémentaire pourrait détruire l'appareil immédiatement.

15 VDC -		Entrée de l'alimentation électrique 15 V DC, pôle négatif (-). Veuillez connecter le fil noir du bloc d'alimentation (adaptateur secteur) fourni avec cet appareil si vous n'alimentez pas l'appareil par PoE.
15 VDC +		Entrée de l'alimentation électrique 15 V DC, pôle positif (+). Connectez-y le fil rouge du bloc d'alimentation (adaptateur secteur) fourni avec l'appareil, si vous n'alimentez pas l'appareil par PoE.
COM 1		Connecteur pour les périphériques autorisés de Bird Home Automation qui seront mis en service à l'avenir, par ex., le clavier
CB 2		Connecteur pour le deuxième bouton d'appel.
CB 1		Connecteur pour le premier bouton d'appel.

NOTICE Les connecteurs „CB1“, „CB2“ et „COM1“ à l'arrière de l'unité électrique principale ne doivent être utilisés que pour connecter des composants certifiés par Bird Home Automation.

PORT POUR BOUTON D'APPEL



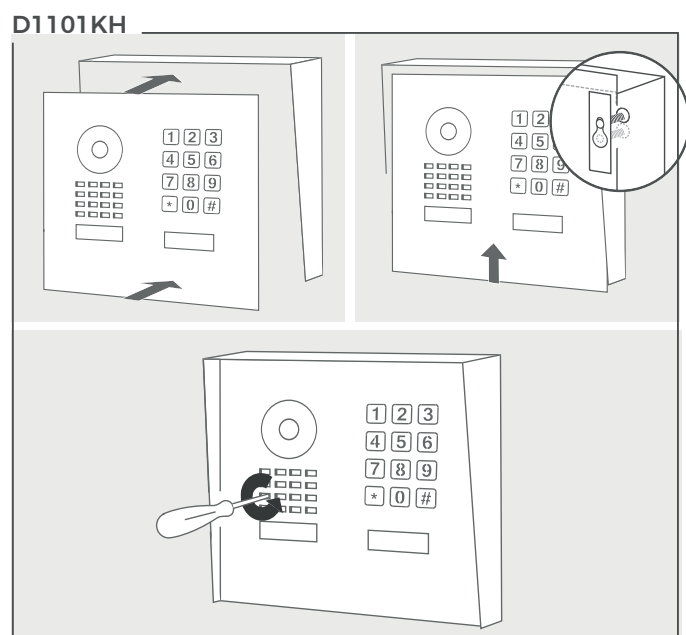
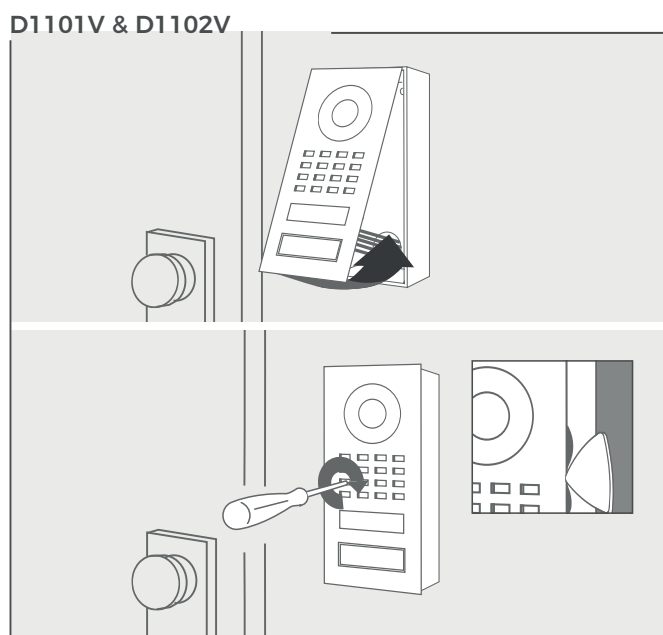
SWITCH (4 FILS)

Utilisez le câble à quatre fils fourni pour connecter le bouton d'appel à l'unité électrique principale (connecté au connecteur „CB1“/„CB2“ par défaut).

NOTICE Faites attention à la connexion des câbles et des fils. Un mauvais branchement des câbles et des fils peut endommager l'appareil. Les fils sans isolation ne doivent pas dépasser de la borne de raccordement à vis verte, car cela pourrait entraîner un court-circuit et endommager l'appareil.

8 MONTER L'APPAREIL SUR LE BOÎTIER DE MONTAGE ARRIÈRE

Montez avec précaution la face avant et l'unité électrique principale dans le boîtier de montage en utilisant le tournevis fourni.



Tournez les vis de sécurité dans le sens des aiguilles d'une montre jusqu'à ce qu'elles soient bien serrées.



Serrez les vis de sécurité à la main uniquement (moins de 5 newton-mètre [Nm]), sans quoi le boîtier de l'unité électrique principale pourrait être endommagé.



Si l'un des joints en mousse noir (sous la face avant) dépasse, vous pouvez l'enfoncer avec précaution à l'aide de l'outil triangulaire fourni dans le sachet de petites pièces. N'appuyez pas trop fort, le joint ne doit pas être trop enfoncé à l'intérieur du boîtier car l'appareil pourrait perdre en étanchéité.

9

ALLUMER L'APPAREIL

Si l'appareil est alimenté par un adaptateur secteur, branchez l'adaptateur de l'appareil dans une prise murale. Si l'appareil est alimenté par PoE, allumez le commutateur/injecteur PoE qui est connecté à l'appareil. Si l'appareil est alimenté par une alimentation sur rail DIN, allumez l'alimentation sur rail DIN.

La LED de diagnostic indique si l'appareil est alimenté en électricité. Cette LED s'allume en vert quelques secondes après avoir connecté l'appareil à l'alimentation électrique. L'appareil est alors prêt à être utilisé.

Si la LED de diagnostic ne s'allume pas, veuillez vérifier l'alimentation électrique. Si vous utilisez une prise murale et non le PoE, veuillez vérifier si vous avez correctement connecté le pôle positif et le pôle négatif à l'appareil.

L'appareil est prêt à être utilisé (processus de démarrage, éventuelles mises à jour du logiciel, etc.) dès qu'il a émis un court son de diagnostic à partir du haut-parleur intégré. Cela peut durer jusqu'à 5 minutes.

10

TÉLÉCHARGEMENT ET INSTALLATION DE L'APPLICATION

Téléchargez l'application „DoorBird“ de Bird Home Automation sur votre appareil mobile depuis l'App Store d'Apple ou le Play Store de Google. La version la plus récente du manuel de l'application se trouve sur la page www.doorbird.com/support

Si vous utilisez le WiFi pour connecter l'appareil à votre routeur Internet, allez d'abord dans l'application DoorBird > „Paramètres WiFi“ et suivez les instructions.

Si vous avez terminé la configuration du WiFi ou si vous avez connecté l'appareil à votre routeur Internet au moyen d'un câble réseau, allez dans l'application DoorBird > „Ajouter un appareil“ et cliquez sur l'icône du code QR dans le champ „Nom d'utilisateur“. Scannez le code QR de l'utilisateur qui se trouve sur le „Passport digital“, fourni avec l'appareil.

Si vous avez des problèmes pour ajouter l'appareil à l'application, vérifiez si l'appareil est en ligne (www.doorbird.com/checkonline). Si l'appareil n'est pas en ligne, vérifiez à nouveau la connexion WiFi ou le câble réseau.

LED DE DIAGNOSTIC

Vous pouvez voir si l'appareil est alimenté en vérifiant les LED de diagnostic qui s'allument quelques secondes après la mise sous tension.

La LED de diagnostic est conçue pour s'allumer légèrement.

SONS DE DIAGNOSTIC

Au bout d'une minute environ, l'appareil émet de brefs sons de diagnostic après avoir été connecté à l'alimentation électrique / au réseau / à Internet.

LENTILLE

Le produit utilise une lentille hémisphérique à large ouverture (HD) redressée. En raison du grand angle (horizontal, vertical, diagonal), un petit bord peut apparaître dans les coins de l'image ainsi que des réflexions dans l'image provenant de la partie avant de l'appareil.

CAPTEUR DE MOUVEMENT

L'appareil possède un capteur de mouvement intégré de technologie 4D. Il peut être très utile, notamment pour envoyer une alarme à un appareil mobile ou pour activer un relais afin d'allumer une lumière extérieure.

La distance réglable est optimisée pour une personne de 1,75 m (69 in) de haut et de 70 kg (165 lbs) dans un lieu dégagé. La précision de la distance du capteur de mouvement peut varier en fonction du lieu.

ÉMETTEUR-RÉCEPTEUR BLUETOOTH

L'appareil est doté d'un émetteur-récepteur Bluetooth® intégré. D'autres fonctionnalités seront bientôt ajoutées pour des applications intéressantes. Veuillez consulter notre blog ou la dernière version de ce manuel sur la page www.doorbird.com/support pour connaître les dernières mises à jour.

API

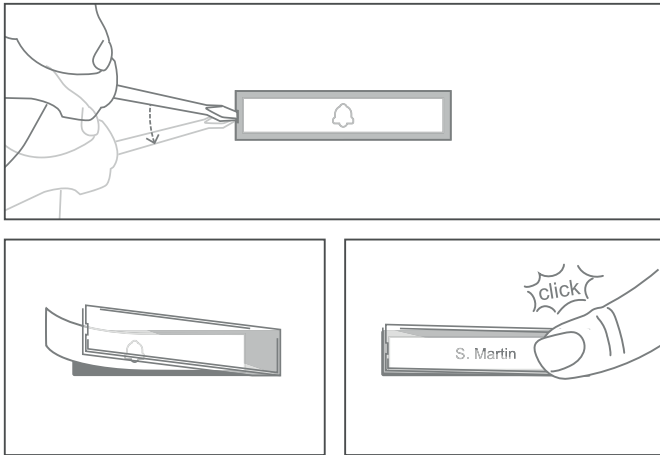
L'appareil est doté d'une API bien documentée pour l'intégration par des tiers. Pour obtenir plus d'informations et connaître les conditions générales, voir www.doorbird.com/api

DOORBIRD CONNECT

L'appareil peut être intégré dans de nombreux systèmes tiers. Pour connaître les conditions d'utilisation et obtenir plus d'informations, consultez la page www.doorbird.com/connect.

CHANGER LA PLAQUE NOMINATIVE D'UN BOUTON D'APPEL

S'applique uniquement aux appareils dotés d'un ou plusieurs boutons d'appel lumineux avec plaque nominative.



ENTRETIEN DE LA FACE AVANT

Nettoyage et entretien

Toutes nos faces avant sont fabriquées avec des matériaux de haute qualité et sont conçues pour durer toute une vie. Comme les interphones vidéo sont généralement installés dans des zones extérieures non protégées, elles sont exposées à des conditions climatiques difficiles et à des substances agressives, en particulier à proximité des routes fréquemment utilisées, dans les zones côtières et industrielles. Veuillez donc tenir compte des instructions d'entretien suivantes. Nous déclinons toute responsabilité en cas de dommages si ces instructions ne sont pas respectées. Les saletés corrosives telles que les fientes d'oiseaux doivent être éliminées le plus rapidement possible.



N'utilisez jamais de détergents abrasifs tels que la laine d'acier ou le lait à récurer !

De l'eau chaude est généralement suffisante, si nécessaire avec un peu de détergent, un chiffon doux ou une brosse. Les pièces en plastique (caméra ou plaques nominatives) ne doivent pas être traitées avec des produits d'entretien pour métaux. Enlevez tous les résidus de produits de nettoyage ou de lubrifiants pour éviter les taches ou la décoloration après l'entretien.

Acier inoxydable

Nous n'utilisons que de l'acier inoxydable de haute qualité pour nos interphones vidéo DoorBird. Cependant, l'acier inoxydable de haute qualité peut également rouiller, car environ 70 % de l'acier inoxydable est constitué de fer. La résistance à la rouille est uniquement obtenue par une couche de protection (appelée aussi couche passive), qui recouvre le fer comme une peau. Cette couche protectrice est essentiellement constituée de chrome et d'autres métaux précieux.

Les particules de fer, la poussière de meulage et les copeaux déposés sur l'acier inoxydable peuvent entraîner une corrosion (film de rouille). Ces particules de fer peuvent se retrouver partout, mais surtout dans les zones côtières et industrielles et à proximité des routes fort fréquentées. Veuillez éliminer immédiatement les dépôts ferreux, car ils attaqueront votre interphone vidéo et entraîneront une véritable rouille s'ils ne sont pas éliminés. Pour enlever la rouille, il suffit d'essuyer la poussière. En outre, un produit d'entretien est recommandé, p. ex. le WD 40, disponible sur Amazon pour moins de 5,00 €. Il suffit d'appliquer une fine couche et de frotter. Il en va de même si de la rouille apparaît sur les gravures à la surface de l'acier inoxydable.

Les éclaboussures de ciment ou de chaux doivent être soigneusement enlevées dès que possible et avant de durcir, à l'aide d'une spatule en bois.

Les détergents de nettoyage suivants ne doivent pas être utilisés car ils réduisent la résistance à la corrosion :

- les produits contenant du chlorure et de l'acide chlorhydrique
- Eau de Javel (en cas d'utilisation accidentelle, rincer abondamment à l'eau)
- Pâte à polir pour l'argenterie

Après le nettoyage à l'eau claire, essuyez avec un chiffon humide et séchez en frottant pour éviter les traces de calcaire. Les résidus de calcaire peuvent être évités en utilisant de l'eau déminéralisée.

Acier inoxydable avec revêtement PVD

Il est recommandé de nettoyer les surfaces avec revêtement PVD, chromées ou dorées avec un détergent dissolvant les graisses et de l'eau claire ou avec un chiffon en microfibrilles propre et sans poussière. Pour les surfaces très brillantes, utilisez un chiffon sans rayures (par exemple, un chiffon de nettoyage pour les verres, un chiffon de polissage pour les meubles, etc.).

Surfaces vernies

Nettoyez les surfaces peintes et le texte avec un chiffon doux et sans rayures, humidifié avec une solution de savon doux (p. ex., un chiffon de nettoyage pour les lunettes, un chiffon à polir les meubles, etc.). Pour éviter

les taches ou la décoloration, les détergents doivent être essuyés sans laisser de résidus. Faites particulièrement attention au texte afin de ne pas endommager le film ou la peinture.



DÉPANNAGE

L'appareil ne s'allume pas

Si l'appareil doit être alimenté par l'adaptateur secteur, branchez celui-ci à une prise murale. Si l'adaptateur était déjà branché à une prise murale, vérifiez si les câbles et les fils sont correctement connectés à la borne de raccordement à vis. Dans la plupart des cas, il est utile de retirer le câble et les fils de la borne de raccordement à vis et de les y rebrancher (mauvais contact). Si vous alimentez plusieurs appareils simultanément avec un seul adaptateur secteur, vérifiez si l'adaptateur secteur est capable de fournir suffisamment de puissance sur toute la longueur du câble.

Si l'appareil doit être alimenté par PoE, allumez le commutateur / injecteur PoE qui est connecté à l'appareil. Si le commutateur PoE / injecteur PoE était déjà allumé, vérifiez si les câbles et les fils sont correctement connectés à la borne de raccordement à vis. Dans la plupart des cas, il est utile de retirer le câble et les fils de la borne de raccordement à vis et de les y rebrancher (mauvais contact). Si le problème persiste, veuillez vérifier si votre commutateur / injecteur PoE supporte la norme PoE IEEE 802.3af Mode A, voir aussi www.doorbird.com/poe

Si l'appareil doit être alimenté par une alimentation sur rail DIN, allumez l'alimentation sur rail DIN. Si l'alimentation sur rail DIN était déjà allumée, vérifiez si les câbles et les fils sont correctement connectés à la borne de raccordement à vis. Dans la plupart des cas, il est utile de retirer le câble et les fils de la borne de raccordement à vis et de les y rebrancher (mauvais contact). Si vous alimentez plusieurs appareils simultanément avec une alimentation sur rail DIN, vérifiez si l'alimentation sur rail DIN est capable de fournir suffisamment de puissance sur toute la longueur du câble.

L'appareil ne se connecte pas au réseau via le câble réseau (son de diagnostic „No Network“)

Dans la plupart des cas, il est utile de retirer le câble et les fils de la borne de raccordement à vis et de les y rebrancher (mauvais contact). Si le problème persiste, veuillez vérifier si le câble de réseau est correctement connecté à votre routeur / commutateur et si le câble de réseau n'est pas endommagé.

Si le problème n'est toujours pas résolu, veuillez vérifier si le DHCP est activé sur votre routeur et s'il est capable d'attribuer une adresse IP à l'appareil.

L'appareil ne se connecte pas à Internet (son de diagnostic „No Internet“)

Dans la plupart des cas, votre Internet est en panne ou votre routeur bloque l'accès à l'Internet pour l'appareil. Veuillez consulter www.doorbird.com/downloads/ports.pdf

Si le problème persiste, veuillez vérifier si votre routeur a activé le DHCP et est capable d'attribuer une adresse IP à l'appareil.

L'appareil ne se connecte pas à Internet

Dans la plupart des cas, votre Internet est en panne ou votre routeur bloque l'accès à l'Internet pour l'appareil. Veuillez consulter www.doorbird.com/downloads/ports.pdf

MENTIONS LÉGALES

Généralités

1. DoorBird est une marque déposée de Bird Home Automation GmbH.
2. Apple, le logo Apple, Mac, Mac OS, Macintosh, iPad, Multi-Touch, iOS, iPhone et iPod touch sont des marques commerciales d'Apple Inc.
3. Google, Android et Google Play sont des marques commerciales de Google, Inc.
4. La marque verbale et les logos Bluetooth® sont des marques commerciales de Bluetooth SIG, Inc.
5. Tous les autres noms d'entreprises et de produits peuvent être des marques commerciales de leurs détenteurs respectifs, avec lesquels elles ont été associées.
6. Nous nous réservons le droit d'apporter des modifications à nos produits lorsque celles-ci participent au progrès technique. Dans le sillage des évolutions techniques permanentes, les produits représentés peuvent également différer visuellement des produits livrés.
7. Toutes les reproductions et tous les transferts de textes, d'illustrations et de photos issus de ce mode d'emploi, sur tout type de support, en tout ou en partie, sont exclusivement autorisés moyennant notre consentement écrit.
8. La création de ce manuel d'installation est protégée par les droits d'auteur. Nous déclinons toute responsabilité pour d'éventuelles erreurs, aussi bien de contenu que de typographie (également dans les données techniques ou au sein des graphiques et schémas techniques).
9. Nos produits sont conformes aux directives techniques, aux prescriptions en matière électrique et de télécommunications en vigueur en Allemagne, dans l'Union européenne et aux États-Unis.

Protection et sécurité des données

1. Pour une sécurité maximale, l'appareil utilise les mêmes techniques de cryptage que la banque en ligne. Pour votre sécurité, nous ne faisons pas appel aux redirections de ports ni au service DynDNS
2. L'emplacement du centre de données pour l'accès à distance via internet au moyen d'une application se trouve obligatoirement sur le territoire de l'Union européenne si l'adresse IP déterminée de l'appareil se trouve dans l'Union européenne. Le centre de données est exploité conformément aux normes de sécurité les plus strictes.
3. Les méthodes de surveillance vidéo, audio et autres peuvent être réglementées par des lois qui varient d'un pays à l'autre. Vérifiez les lois en vigueur dans votre région avant d'installer et d'utiliser cet appareil de surveillance.

Quand il s'agit d'un appareil du type interphone vidéo, moniteur intérieur ou caméra :

- Dans de nombreux pays, les images vidéo et la voix ne peuvent être transférées que lorsqu'un visiteur a sonné à la porte (protection des données, configuration possible dans l'application)
- Exécutez le montage de sorte que le champ de détection de la caméra se limite exclusivement à la zone d'entrée directe.
- L'appareil dispose, le cas échéant, d'un historique intégré des visites et d'un capteur de mouvements. Si nécessaire, vous pouvez activer et désactiver ces fonctions.

Si nécessaire, signalez la présence de l'appareil à l'endroit adéquat et de la manière adéquate.

Veillez respecter les dispositions légales spécifiques à chaque pays concernant l'utilisation des composants et caméras de surveillance applicables sur le site d'installation. Veuillez vérifier auprès du propriétaire et de votre Syndic si vous êtes autorisé à installer et utiliser ce produit. Bird Home Automation GmbH décline toute responsabilité en cas de mauvaise utilisation ou de mauvaise configuration de ce produit, y compris dans le cas de l'ouverture non autorisée d'une porte.

Bird Home Automation ne peut être tenu responsable des dommages causés par une ancienne et mauvaise installation ou une installation incorrecte.

Les mises à jour du logiciel ou du système d'exploitation (appelées „mises à jour du firmware“) sont normalement installées automatiquement sur les produits de Bird Home Automation GmbH via internet, si cela est techniquement possible. Les mises à jour automatiques du firmware maintiennent les logiciels des produits actualisés afin que ceux-ci fonctionnent toujours de manière fiable,

sûre et efficace. Grâce aux améliorations continues, des fonctions peuvent être ajoutées, étendues ou légèrement modifiées au fil du temps. Des modifications ou limitations importantes des fonctions existantes ne se produisent normalement que lorsque Bird Home Automation GmbH le juge nécessaire (par ex. en raison de la protection des données, de la sécurité, de la stabilité des données ou encore, afin de tenir celles-ci à jour). Lorsqu'une mise à jour du firmware est disponible, les serveurs de Bird Home Automation GmbH la distribuent en général automatiquement à tous les produits compatibles connectés à internet ou aux serveurs de Bird Home Automation GmbH. Ce processus est graduel et peut prendre plusieurs semaines. Dès qu'un produit reçoit une mise à jour du firmware, le système s'installe et redémarre généralement par lui-même. Les mises à jour du firmware installées ne peuvent pas être annulées. Etant donné que les produits et logiciels de Bird Home Automation GmbH ne sont pas explicitement des produits réservés au client, celui-ci ne peut pas refuser une mise à jour automatique si le produit est connecté à internet ou au serveur de Bird Home Automation GmbH.

Instructions relatives au recyclage

Ne jetez pas l'appareil dans la poubelle ménagère ! Les équipements électroniques doivent être éliminés, par ex., dans des points de collecte locaux de déchets d'équipements électroniques, conformément à la directive relative aux déchets d'équipements électriques et électroniques.

Éditeur

Bird Home Automation GmbH
Uhlandstraße 165
10719 Berlin
Germany

Web: www.doorbird.com
Email: hello@doorbird.com

Space for notes / Platz für Notizen

