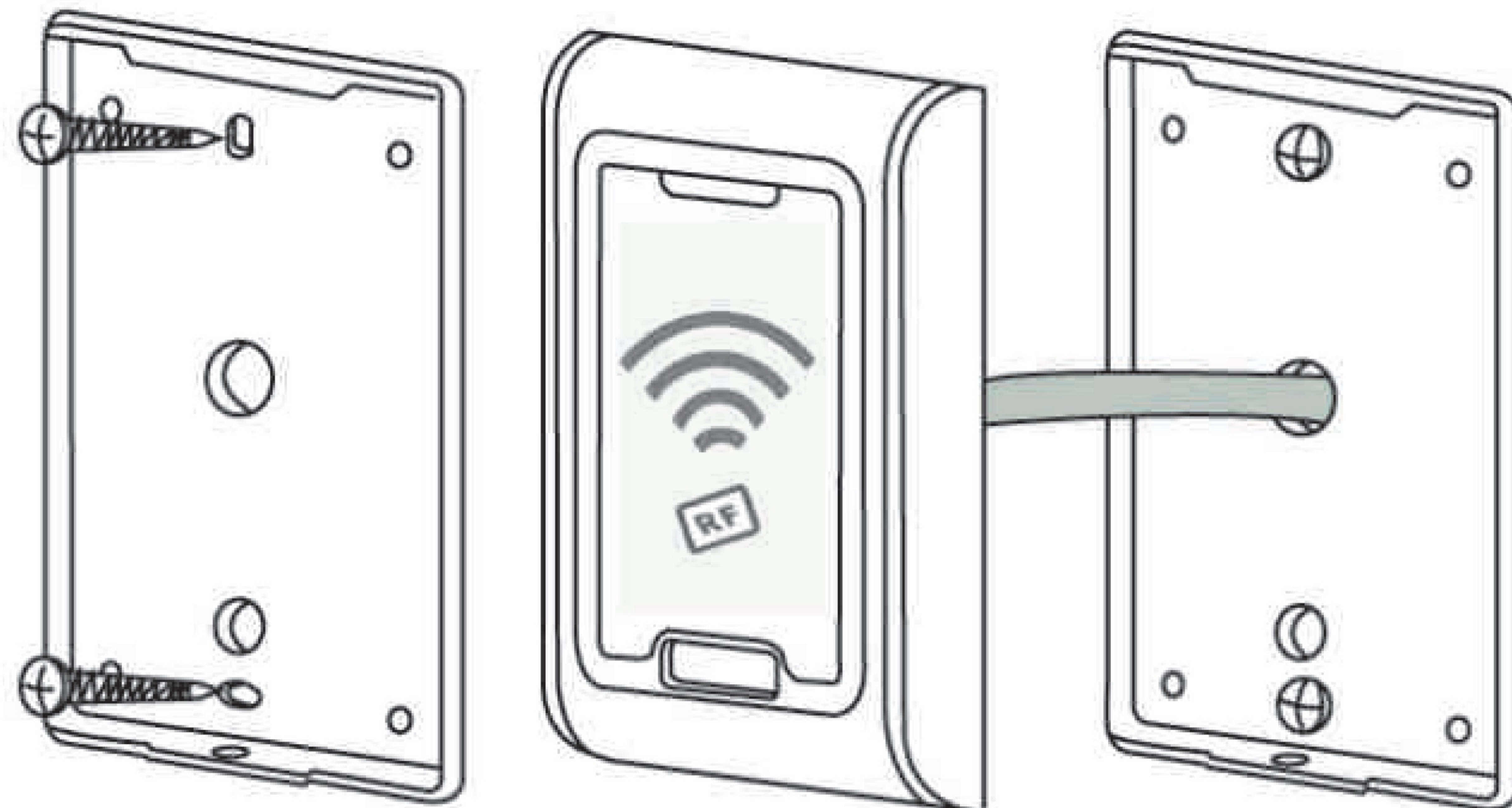


1.Specifications

Material	Metal
Operating Voltage	9-16V DC
Output	WG 26 (RS485, WG34 optional)
Card type RF005	EM,Mifare,CPU
Card type RF006	EM,Mifare,HID
Reading Distance	3-6 cm
Communication Distance	100M
Idle Current	<80mA
Operating Temperature	-45°C ~60°C
Operating Humidity	10%- 90% RH
Waterproof	Conforms to IP68

2.Installation

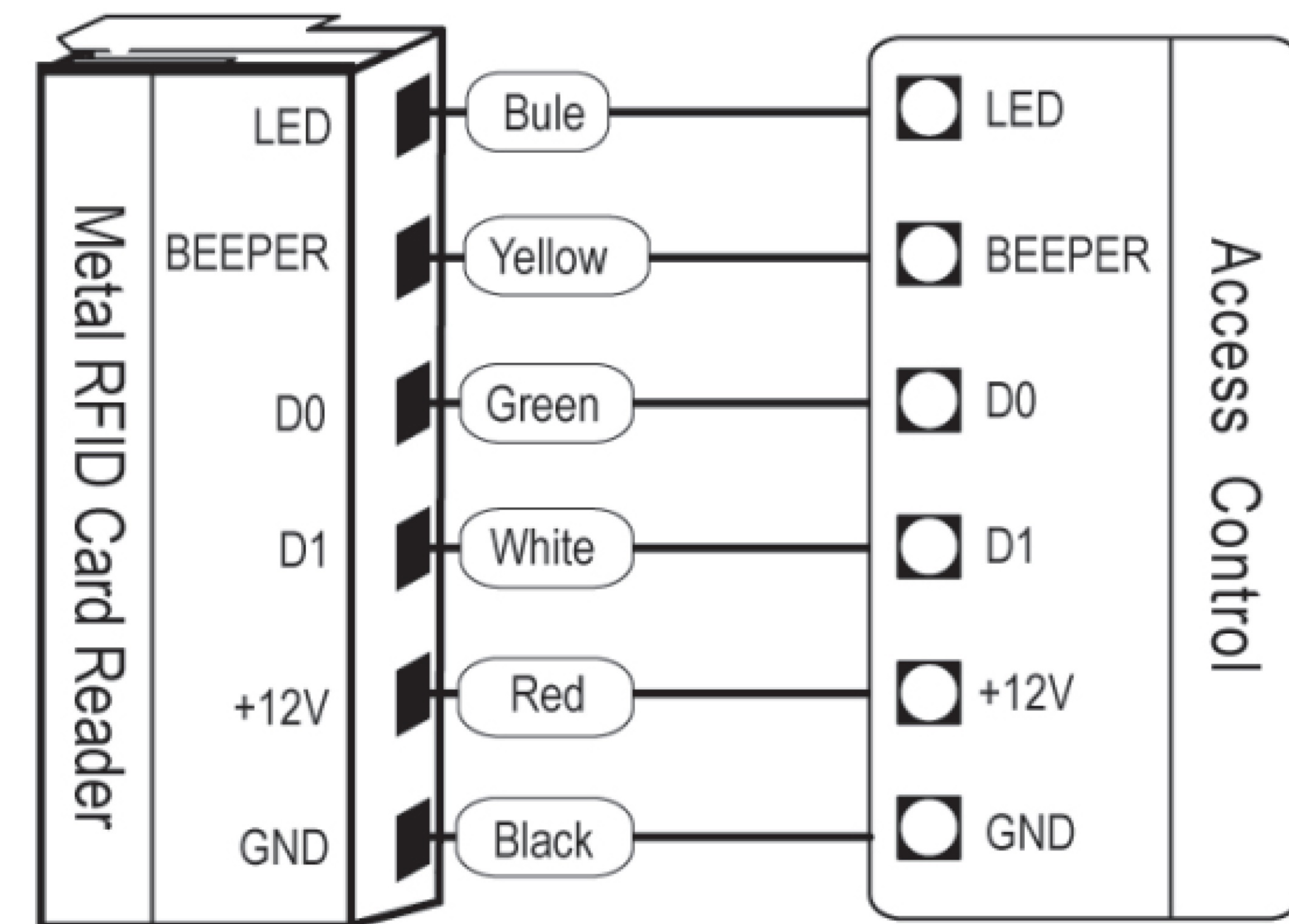
- Remove the back cover from the front cover using the supplied special screw driver
- Drill 2 holes on the wall for the Self tapping screws and 1 hole for the cable
- Put the supplied rubber bungs to into the two holes
- Fix the back cover firmly on the wall with 2 Self tapping screws
- Thread the cable through the cable hole, connect the wire needed, wrap unused wire with insulating tape isolated to prevent short circuit
- Attach the front cover to the back cover.



3.Wiring

Wire No.	Function	Color	Description
1	LED	Blue	Connect with controller LED
2	Beeper	Yellow	Connect with controller beeper
3	D0	Green	WG output line D0
4	D1	White	WG output line D1
5	+12V	Red	Power supply +12V
6	GND	Black	Power supply -12V
7	WG26/34	Gray	WG switching

4.Wiring Diagram



5.Packing List

Name	Quantity	Remarks
Reader	1	
User manual	1	
Screw driver	1	Φ20mm×60mm,Special for Reader
Rubber plug	2	Φ6mm×30 mm, used for fixing
Self tapping screws	2	Φ4mm×28 mm, used for fixing

Please ensure that all the above contents are correct. If any are missing, please notify the supplier of the device.