

ProAccess EH

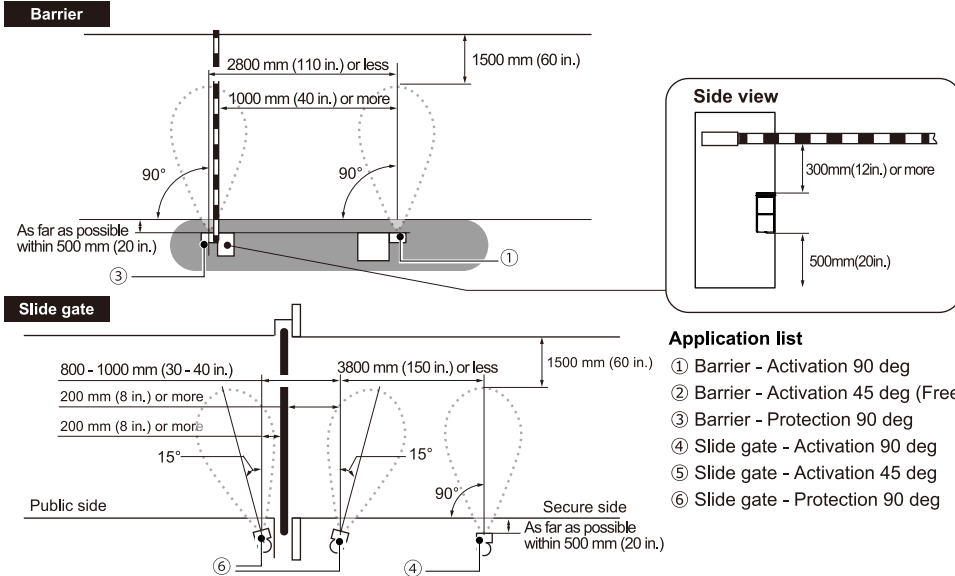
BBC BIRCHER

Smart Access

Quick reference guide

466574 A 59-3072-1

1. Install the sensors with the layout shown below.



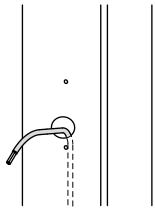
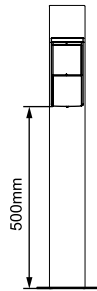
Application list

- ① Barrier - Activation 90 deg
- ② Barrier - Activation 45 deg (Free exit only)
- ③ Barrier - Protection 90 deg
- ④ Slide gate - Activation 90 deg
- ⑤ Slide gate - Activation 45 deg
- ⑥ Slide gate - Protection 90 deg

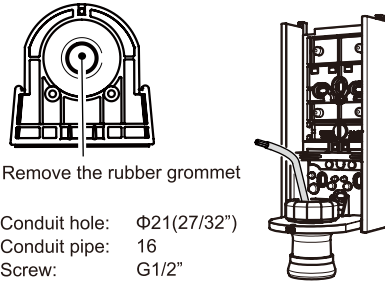
2. Installation and wiring

[1] Drill holes to install the unit. Wiring holes are not required when using a conduit pipe.

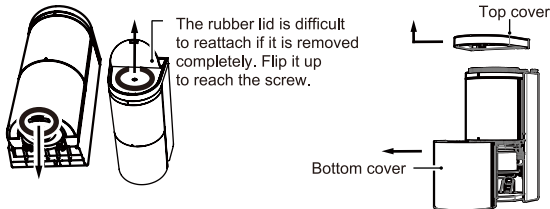
[2] Run wires out from the pole/mounting surface before attaching the sensor housing.



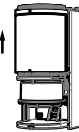
When using a conduit pipe



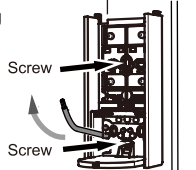
[3] Loosen the screws on the top and bottom covers, and remove the covers. Do not loosen the screws completely. The screws may fall out.



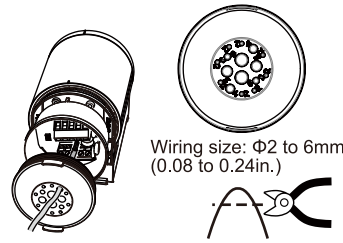
[4] Detach the sensor unit by lifting it.



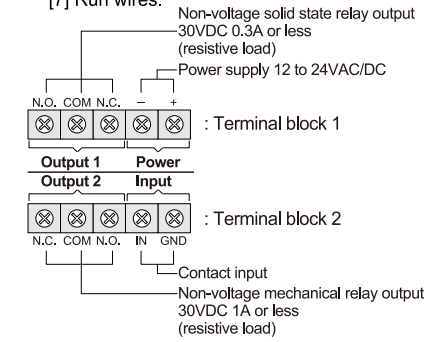
[5] Fix the sensor housing with two screws.



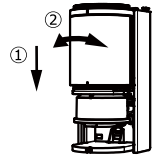
[6] Cut the terminal cover with scissors to make a hole according to the wire diameter. (Select the smallest possible.)



[7] Run wires.



[8] Install the sensor unit into the sensor housing. Rotate the sensor unit to the appropriate angle (96° to left and right).



3. Set by smartphone App. Follow the procedure to set up and to perform calibration.

Download the smartphone App from the 2D code.



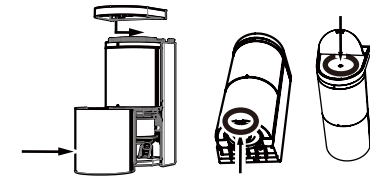
After changing settings, be sure to tap the Send icon to send the settings to the sensor.



Memorizes the background of the detection area when no pedestrians or vehicles are present. It makes the sensors performance higher and more stable.

4. For the operation check, use a vehicle to check the entire operation of the system.

5. Slide on the top and bottom covers and tighten the according screws.



6. Operation indicator

Operation mode	Operation status	Status	Operation indicator ¹⁾
Standard operation mode	Standard operation	Standby	Solid Green
		Standby Environmental notification	Solid Purple
		Pre-detection	Solid Yellow
		Detection	Solid Red
		Calibration uncompleted	Solid Blue
		Start up	Solid Blue (two sec)
Smartphone App connected mode	Standard operation	Standby	Blinking Green(Slow)
		Standby Environmental notification	Blinking Purple(Slow)
		Pre-detection	Blinking Yellow(Slow)
		Detection	Blinking Red(Slow)
		Calibration uncompleted	Blinking Blue(Slow)
		Complete	Blinking Blue(Fast) ²⁾
Smartphone App connected mode	Area check	Standby	Blinking Green ³⁾
		Pre-detection	Blinking Yellow
		Detection	Blinking Red
	Calibration	In process	Blinking Blue & Green
		Unstable error	Blinking Red & Yellow(Fast) ⁴⁾
		High reflection error	Blinking Red & Blue(Fast) ⁴⁾
	High reflection	Blinking Purple ⁵⁾	

- 1) The operation indicator is always On, even if "Indicator" in App is set to "Off".
- 2) Press and hold the reset button for 5 to 10 seconds for the factory reset.
- 3) The operation indicator flashing blue for 30 seconds, it will automatically return to the normal operation mode.
- 4) Calibration has not been performed.
- 5) After blinking for 10 seconds, it returns to the status of Normal operation. Calibration is completed.
- 6) Refer P17 "7-3 Calibration" to fix this issue.

7. Compliance note

Hereby, BBC Bircher AG declares that the radio equipment type ProAccess EH is in compliance with Directive 2014/53/EU. The full text of the EU declaration of conformity is available at the following internet address: <https://www.bircher.com>