

# LUCE

Installation and maintenance manual for sliding doors  
*Manual de instalación y mantenimiento para puertas correderas*





<b>1. Preliminary information</b> 1.1 General safety warnings 1.2 CE marking and European Directives	page 4
<b>2. Technical data</b>	page 5
<b>3. Type of installation</b>	page 6
<b>4. Procedure to install the automation and sliding doors</b> 4.1 Box assembly 4.2 Doors adjustment and assembly 4.3 Belt adjustment	page 7
<b>5. Central electric lock installation</b>	page 9
<b>6. Return electric lock installation</b>	page 10
<b>7. Emergency electric lock installation</b>	page 11
<b>8. Bistable electric lock installation</b>	page 12
<b>9. Installation of battery-powered device</b>	page 13
<b>10. Cover opening and locking</b>	page 13
<b>11. Electrical connections</b> 11.1 General electrical safety warnings 11.2 Electrical power supply connection 11.3 Electronic control terminal boards 11.4 Electrical connections of functions selector (31SR0009-31SR0010-31SR0011-31SR0012) 11.5 Safety sensor electrical connections (internal/external transit area) 11.6 Safety sensors electrical connections (door sliding side area) 11.7 Electrical connection of photocells	page 14
<b>12. Menu</b> 12.1 Menus list 12.2 BASE Menu 12.3 INFO Menu 12.4 MEM Menu 12.5 ADV Menu	page 19
<b>13. Warnings</b> 13.1 Alarms 13.2 Events	page 22
<b>14. Start-up procedure for automatic sliding doors</b>	page 23
<b>15. Faults search</b>	page 24
<b>16. Routine maintenance plan for automatic sliding doors</b>	page 25
<b>Maintenance register</b>	page 26
<b>Declaration of Conformity</b>	page 30
<b>Instructions for use</b>	page 31

Dear Client, thank you for choosing us. You are reminded to read the following installation and use instructions of the automatism carefully, to obtain the best performance. We also remind you that assembly of this product must only be carried out by professionals.

Before starting installation or activating an automatic wicket, an inspection must be carried out on site by professionally competent staff, to take the measures of the wall compartment, the fixture and the automation.

This inspection is necessary to assess the risks and to choose and apply the most appropriate solutions based on the type of pedestrian traffic (heavy, limited, one-directional, two-directional, etc.), the type of users (elderly, disabled, children, etc.) and the presence of potential hazards or particular local situations.

To facilitate the installer in applying the European Standard EN 16005 on safe use of automatic wickets, you are advised to consult the UNAC (Association of manufacturers of motorised fixtures and controls for doors and windows in general) guides available on the website:

[www.anima.it/ass/unac](http://www.anima.it/ass/unac).

## 1.1 GENERAL SAFETY WARNINGS

This assembly, installation and maintenance manual is exclusively for professionally competent staff. Read the instructions carefully before starting to install the product.

Wrong installation can be a source of danger. The packaging materials (plastic, polystyrene, etc.) should not be disposed of in the environment and must not be left within children's reach since they are potential sources of danger.

Before starting installation, check the product's integrity. Do not install the product in an explosive environment and atmosphere: the presence of flammable gas or fumes poses a serious danger for health.


Before installing the automatism, make all the structural changes relating to implementation of precautions for safety and protection or segregation of all the crushing, shearing, transfer and danger zones in general.

Check the existing structure has the necessary robustness and stability requirements. MYONE S.r.l. cannot be held responsible for any non-compliance with good practice in the construction of fixtures to automate, as well as deformations which occur during use. The safety devices (presence sensors, photocells, etc.) must be installed while taking into consideration: the standards and directives in force, good practice techniques, the installation environment, the operating logic of the system and the forces developed by the automatic wicket.

Apply the signs planned by the standards in force to identify the danger zones.

Each installation must have visible indication of the identification data of the automatic wicket gate.

## 1.2 CE MARKING AND EUROPEAN DIRECTIVES

 MYONE automations for wicket sliding doors are designed and built in compliance with the safety requirements of the European standard EN 16005 and are equipped with CE marking in compliance with the Electromagnetic Compatibility Directive (2014/30/EU).  
MYONE automations are equipped with a Declaration of Incorporation for the Machinery Directive (2006/42/EC).

Pursuant to the Machinery Directive (2006/42/EC) the installer implementing the automatic wicket has the same obligations as the manufacturer of the machine and, as such, must:

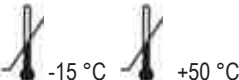
- prepare the technical file which must contain the documents indicated in Annex V of the Machinery Directive;  
(The technical file must be kept and maintained available to the competent national authorities for at least ten years starting from the date of automatic wicket manufacture);
- draft the CE Declaration of Conformity according to Annex II-A of the Machinery Directive and deliver it to the client;
- affix the CE marking on the automatic wicket pursuant to point 1.7.3 of Annex I of the Machinery Directive.

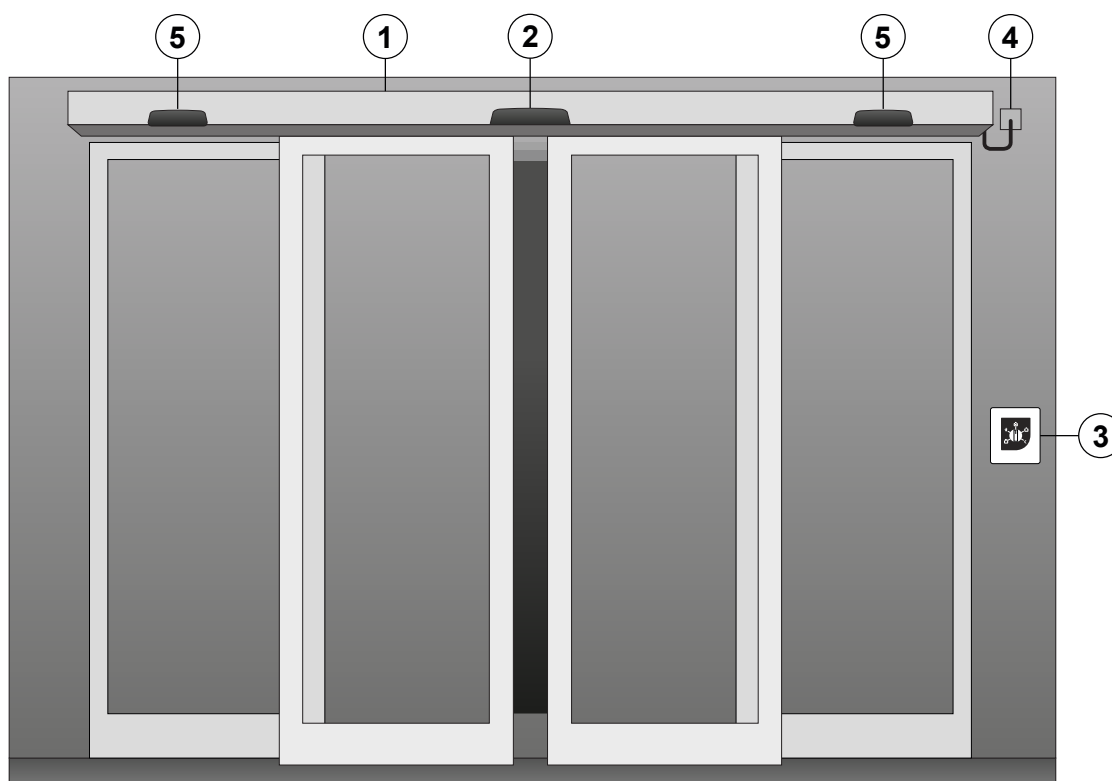
The data outlined in this manual were drafted and checked with utmost attention.

However, MYONE S.r.l. cannot be held in any way liable for possible errors, omissions or approximations due to technical or graphical requirements.

MYONE S.r.l. reserves the right to make changes to improve the products. For this reason, the illustrations and information that appear in this document should be considered non-binding.

This edition of the manual deletes and replaces the previous ones. In case of changes, a new edition will be issued.

Technical data	LUCE Light	LUCE Heavy
Model	Automatic door for pedestrian passages	
Maximum dimensions of the automation: Height x Depth x Length	120 x 150 x 6600 mm	120 x 150 x 6600 mm
Maximum weight of 1-leaf door: Maximum weight of 2-leaf door:	150 kg 2 x 80 kg	200 kg 2 x 130 kg
Maximum opening and closure speed: 1 leaf sliding door 2 leaf sliding door	0,8 m/s 1,6 m/s	0,8 m/s 1,6 m/s
Use frequency	Continuous operation = 100%	Continuous operation = 100%
Extended range power supply Nominal power Stand-by	100–240 Vca 50/60 Hz 70 W 3 W	100–240 Vca 50/60 Hz 70 W 3 W
Nominal load	150 N	150 N
Protection level	IP 20	
Operating temperature		
Parameters adjustment: basic and advanced adjustments	Buttons and Display	
Connection to command and safety devices	Specific connection terminal boards	
Output for external accessories supply	24 Vdc (1 A max)	
Memory to save data and adjustments of the door	USB port	



Rif.	Codice	Descrizione
1	LUCEL1902F LUCEL1901F LUCEH1902F LUCEH1901F	Automation for light sliding door with beam length 1900 2-leaf flat casing Automation for light sliding door with beam length 1900 1-leaf flat casing Automation for heavy sliding door with beam length 1900 2-leaf flat casing Automation for heavy sliding door with beam length 1900 1-leaf flat casing
2	31RD0001	Safety sensors (transit area) (N.B. To guarantee protection of the passage compartment, 2 sensors are necessary, one per side)
3	31SR0009 31SR0011	Rotary selector for sliding door via external cable. Rotary selector for sliding door via external cable with key.
-	99BA0001 (optional)	Battery powered device for emergency operation
-	99EB0001 (optional)	Central leaf locking device, with unlocking cord and lock position signalling device (optional device, inside automation)
-	99EB0003 (optional)	Return locking device, with unlocking cord and lock position signalling device (optional device, inside automation)
-	99EB0004 (optional)	Bistable locking device, with unlocking cord and lock position signalling device (optional device, inside automation)
-	99EB0006 (optional)	Emergency locking device, with unlocking cord and lock position signalling device (optional device, inside automation)
4	-	Power cable for automation connection to the electricity mains (not supplied)
5	31RP0001 (optional)	Side area safety sensors for leaf sliding

N.B. The components and codes indicated are those mostly used on automatic sliding door systems. However, the complete range of devices and accessories is available on the sales pricelist.

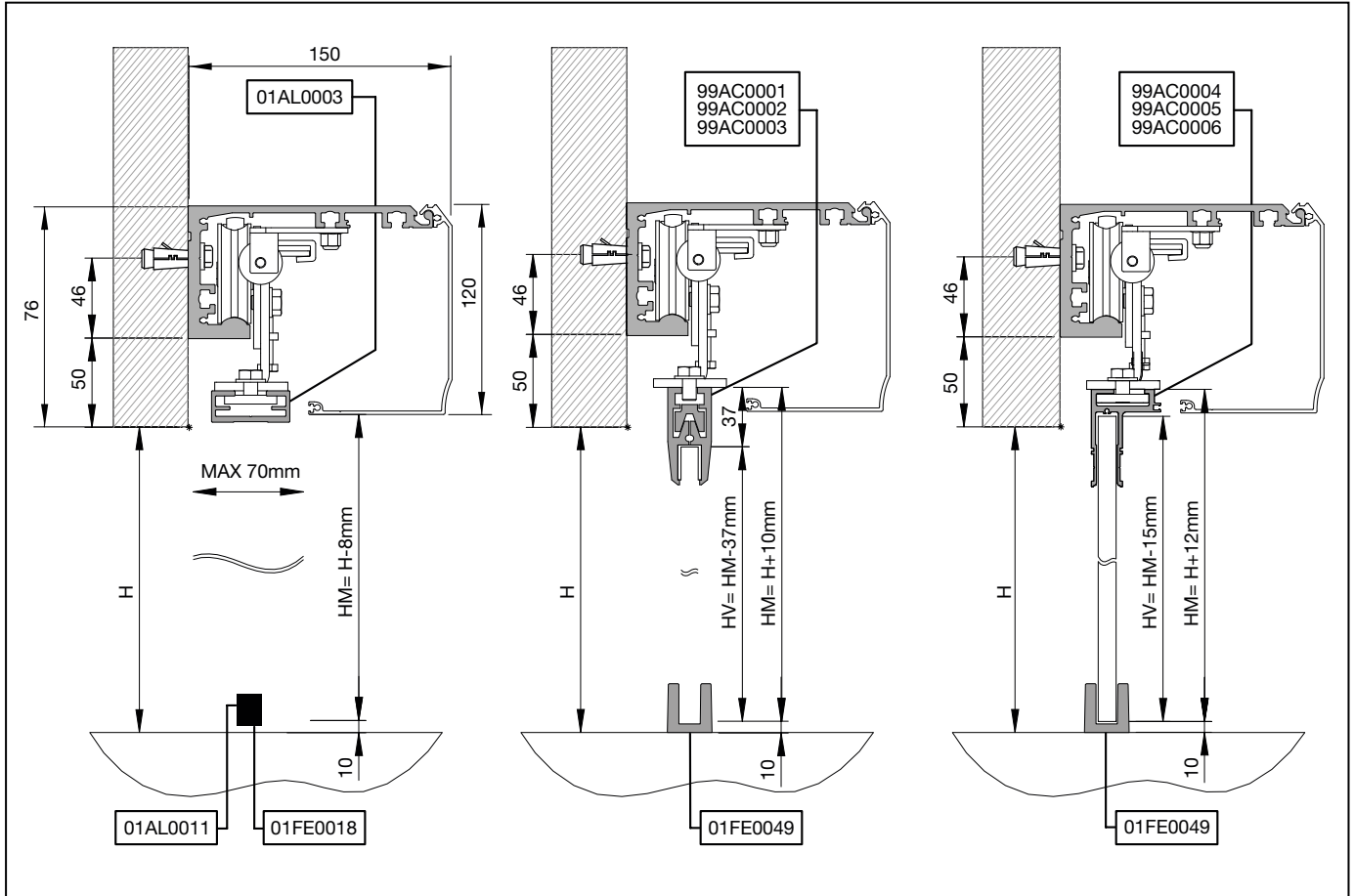
For system installation, use accessories and safety devices approved by MYONE S.r.l.

Installation of an automatic sliding door, carried out by professionally competent staff, can only take place after inspections on site (as indicated in chapter 1) and having measured and created the fixture and the automation.

Fastening to the wall of the box profile must be safe and adequate for the weight of the doors. Distribute the fastening points every 500÷800 mm, using adequate plugs and screws, not supplied by us.

N.B. The wall must be straight and smooth, otherwise you have to prepare adequate iron shims or plates to fasten the box to, for correct levelling.

4.1 BOX ASSEMBLY

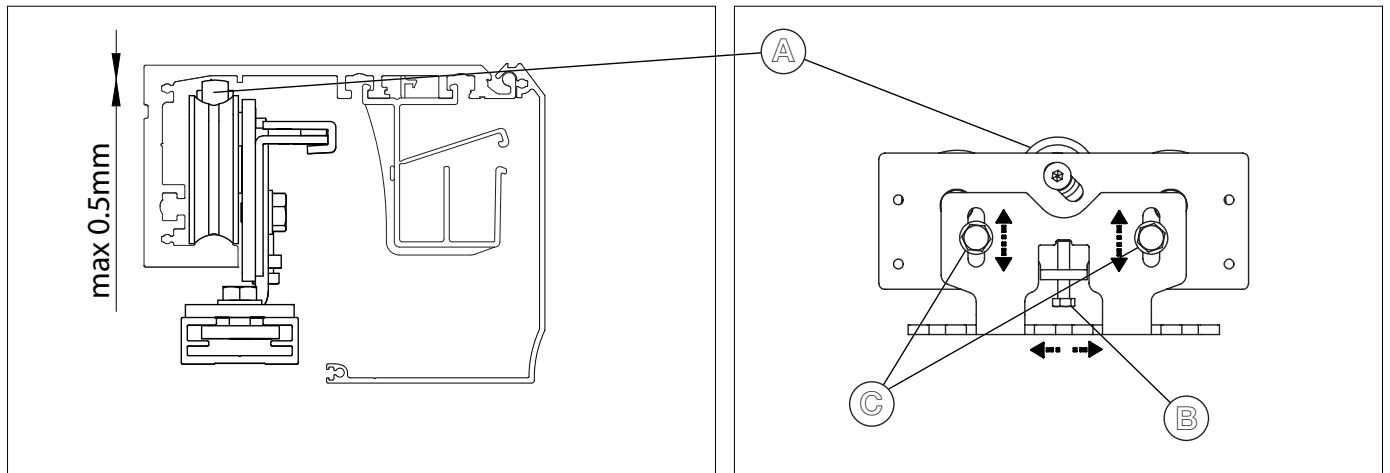


4.2 DOORS ADJUSTMENT AND ASSEMBLY

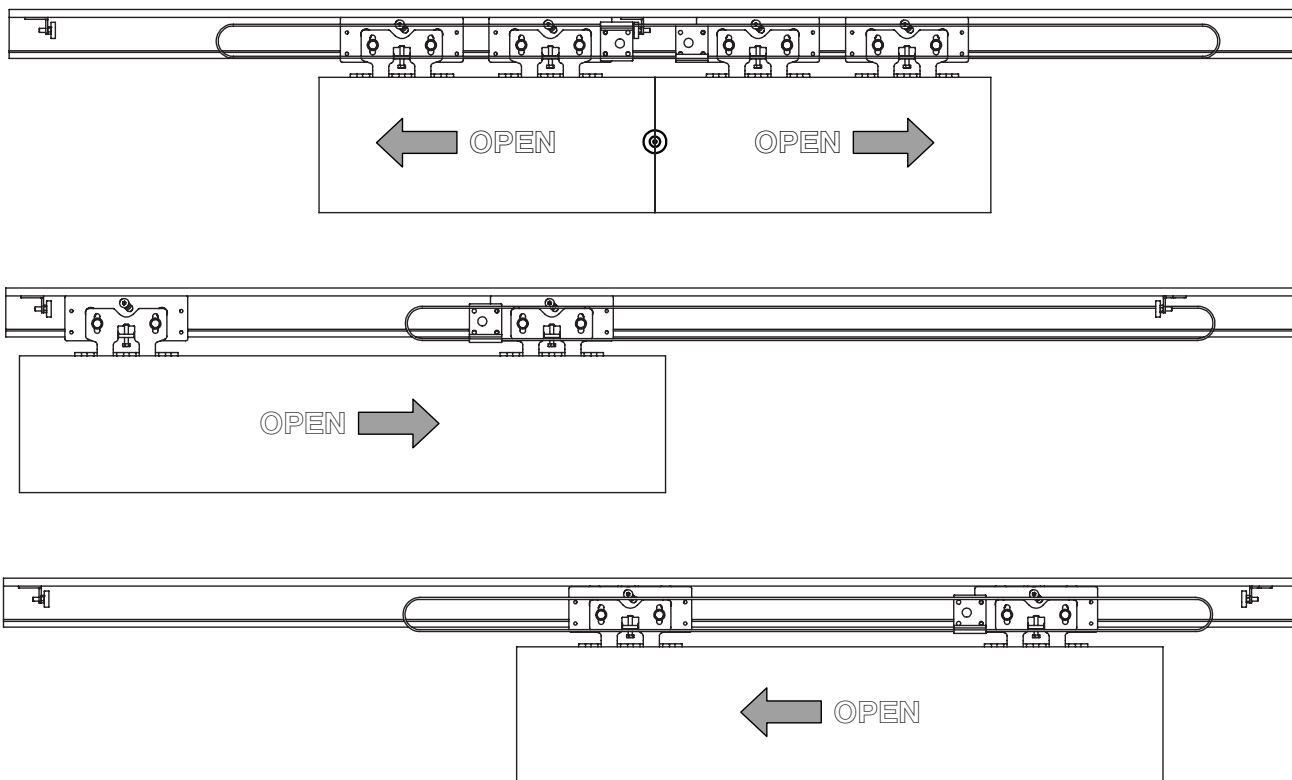
Fasten the sliding doors to the carriages using the 8MA screws.

Close the doors and adjust the height and depth, as indicated in the figure.

Adjust the position of the upper stop castors to prevent the carriage from exiting the sliding profile.

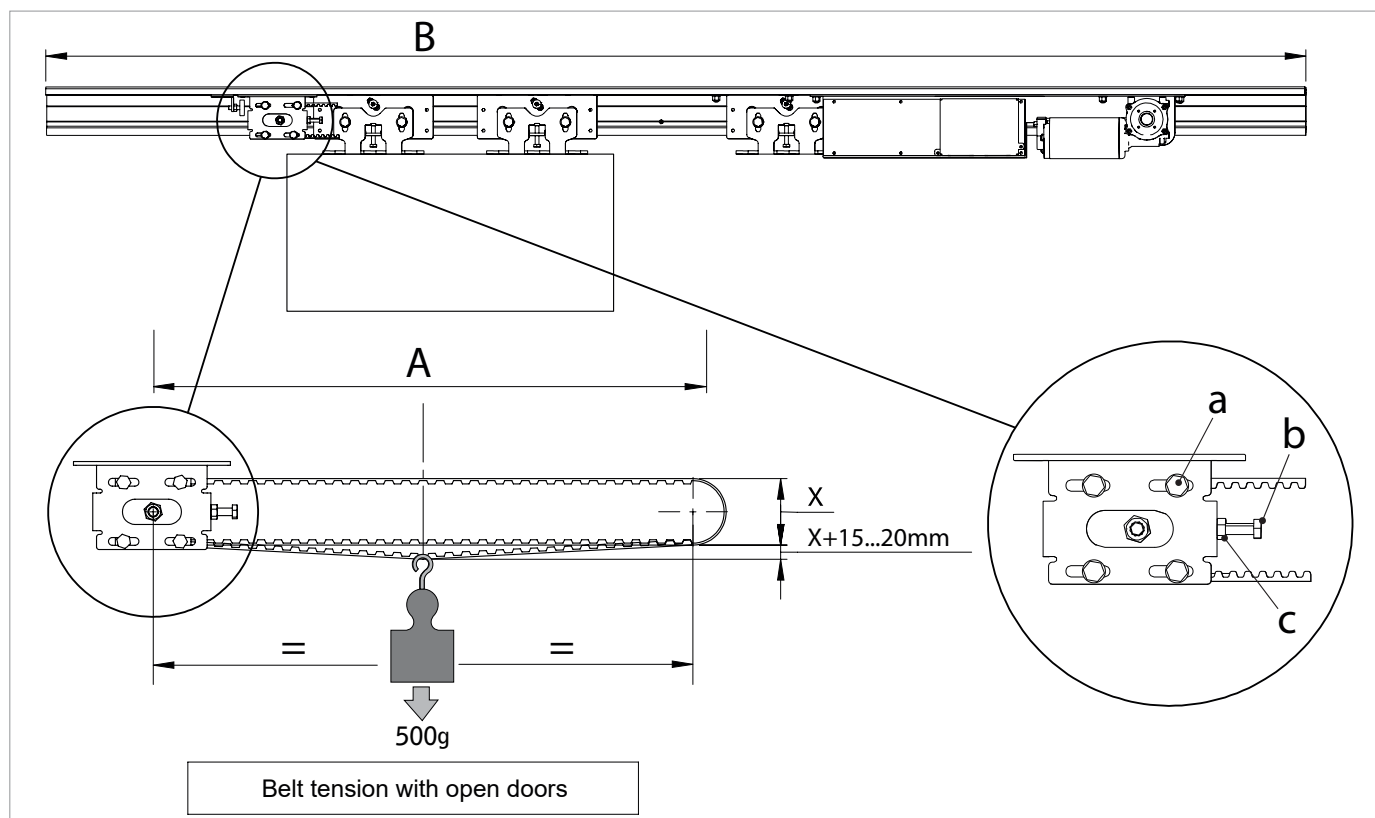


Move the doors by hand for the entire stroke, check that the movement is free and without friction and that all the castors rest on the sliding profile.  
 Check that the lower part of the door is correctly guided on the floor slide. Adjust the position of the mechanical stop brackets to limit the stroke of the doors in the desired position.



### 4.3 BELT ADJUSTMENT

Adjust tightening of the serrated belt using the return unit, as indicated in the figure:  
 Loosen the screws (a), unscrew the counter-nut (c), screw in the screw (b) until the belt is perfectly tightened and fasten the counter-nut (c) again.  
**ATTENTION:** wrong adjustment of the belt compromises the good operation of the automation.

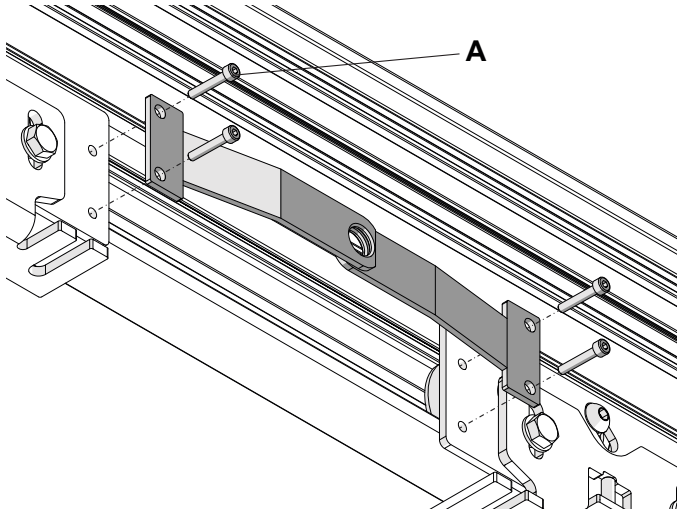




## 5 Central electric lock installation (99EB0001)

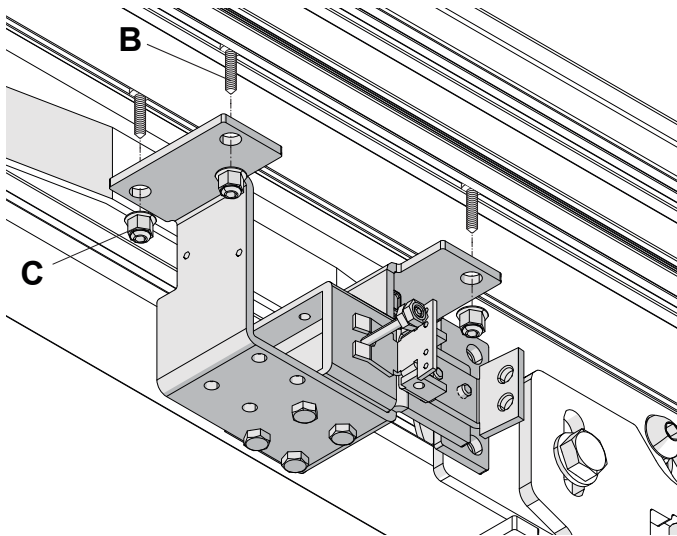
The "central" locking device mechanically locks the doors in closed position. The control unit can manage the electric lock in "locking on each door closure" or "locking in night stop" mode.

5.1 - Fasten the two brackets to the carriages using the 4 screws A

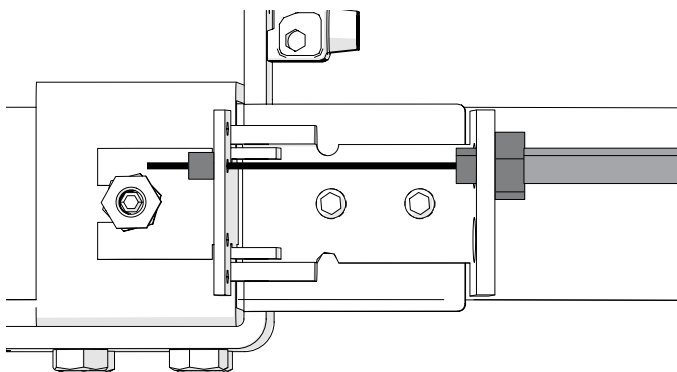


5.2 - In the specific strokes, insert the 4 hex head screws B as in the figure. Then, fasten the electric locking unit using the 4 nuts C.

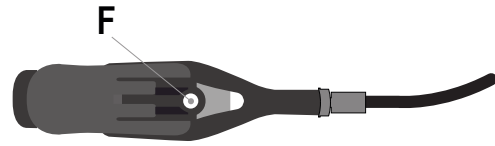
Pay attention to the correct alignment of the electric lock pin with the holes in the brackets.



5.3 - Pass the lever unlocking cord as indicated in the figure, then fasten it on the end with the specific stop.



Fasten the manual unlocking lever in the desired position using the hole F.

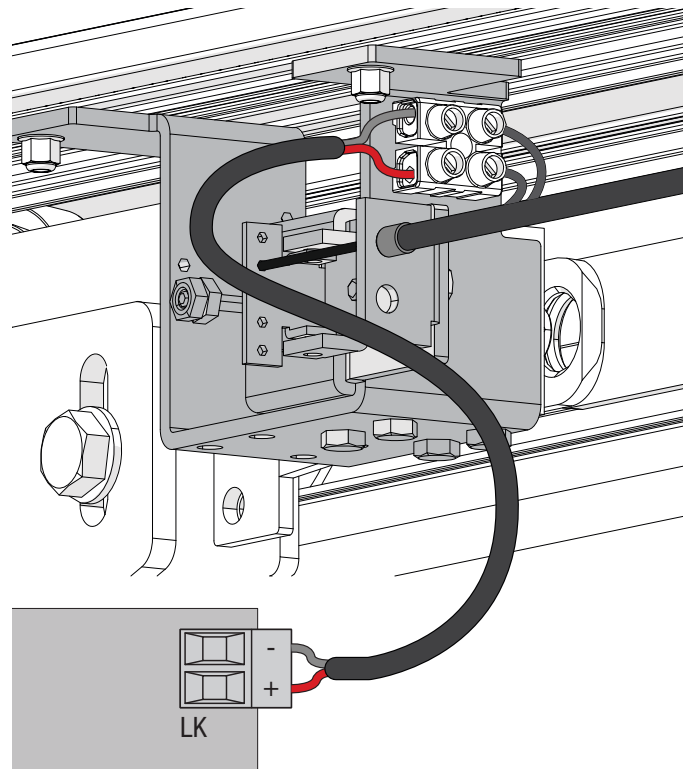


Adjust the tightening of the steel cable C with the lever L in the "unlocked" position and bracket S turned completely SX. For further adjustments, use the adjustment screws R.



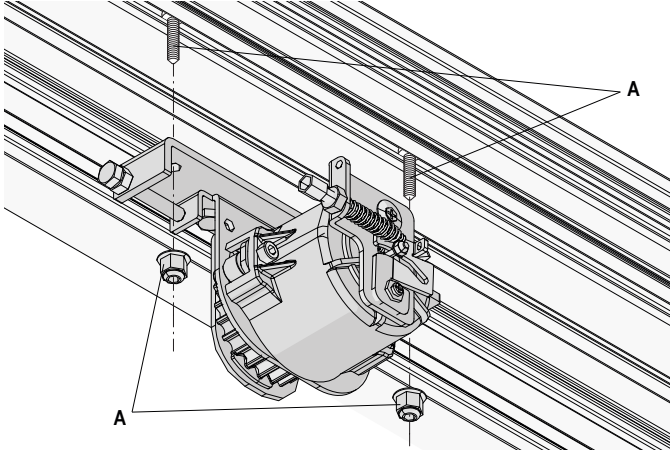
**IMPORTANT: Set the TYLK parameter of the ADV menu on LK1**

5.4 - Connect the electric lock output to the LK terminals of the command control unit.

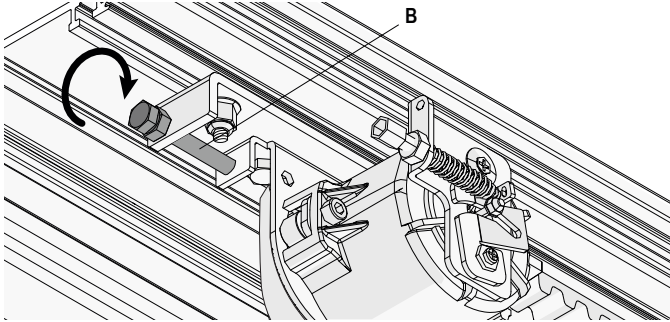


The "return" locking device locks the doors in the closed position by mechanically working on the belt return. The command electronics can manage the electric lock in locking mode on each door closure, locking in night stop or locking in partial opening (pharmacy function) in the position defined by the user.

Remove the pre-installed return unit.



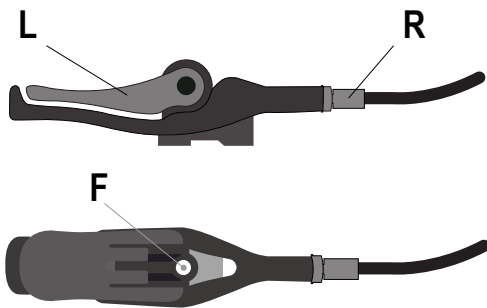
Fasten the electric lock/belt return kit using screws A.



Tighten the belt using screw B.

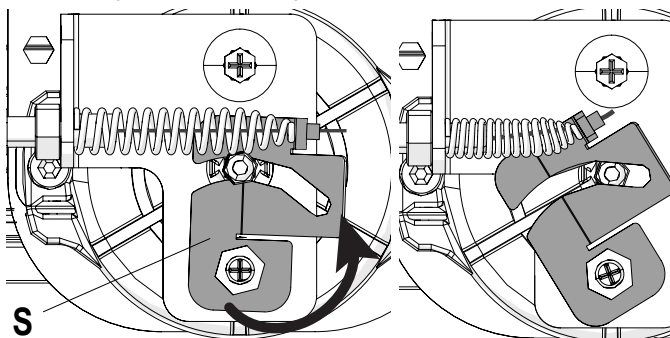
**ATTENTION!** Wrong adjustment of the belt compromises the good operation of the automation.

6.1 - Fasten the manual unlocking lever in the desired position using the hole F.

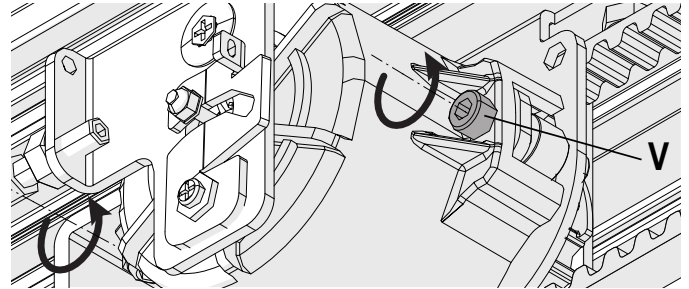
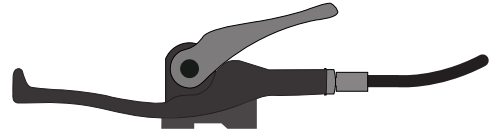


Adjust the tightening of the steel cable C with the lever L in the "unlocked" position and bracket S turned completely SX.

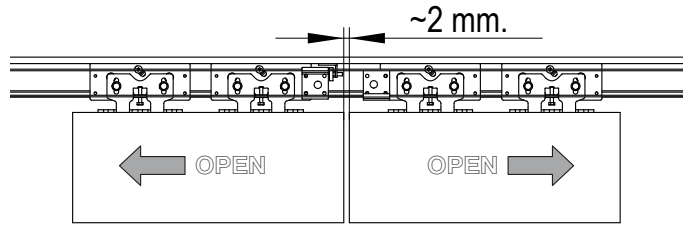
For further adjustments, use the adjustment screws R.



6.2 - Use lever L to position the doors completely closed, loosen the 2 screws V fastening the electric lock to the return bracket, position the lever as in the figure, turn the electric lock up to couple the counterpart, fasten the 2 screws again and manually check that the doors are locked.



Repeat the operation if the doors open more than planned (+/- 2mm ~)  
N.B. Leave a couple of mm in range between the two doors.

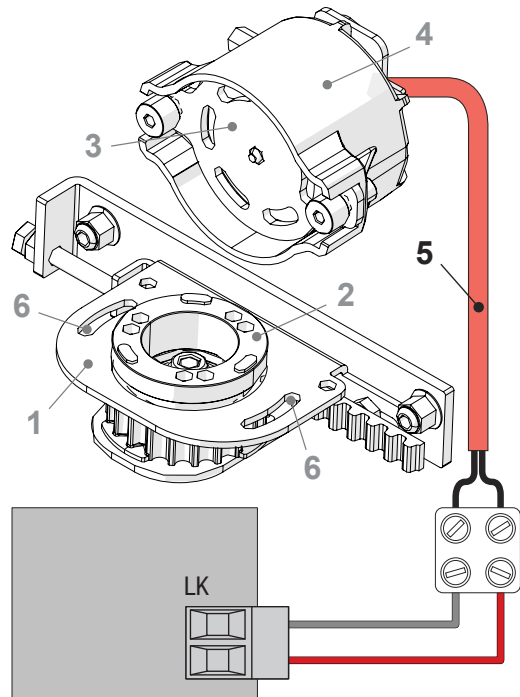


6.3

- 1 - Belt return bracket
- 2 - Coupling disc
- 3 - Coupling bracket
- 4 - Reel casing
- 5 - Power supply cable
- 6 - Range adjustment eyelets
- 7 - Electronic board connector

**IMPORTANT:** Set the TYLK parameter of the ADV menu on LK1

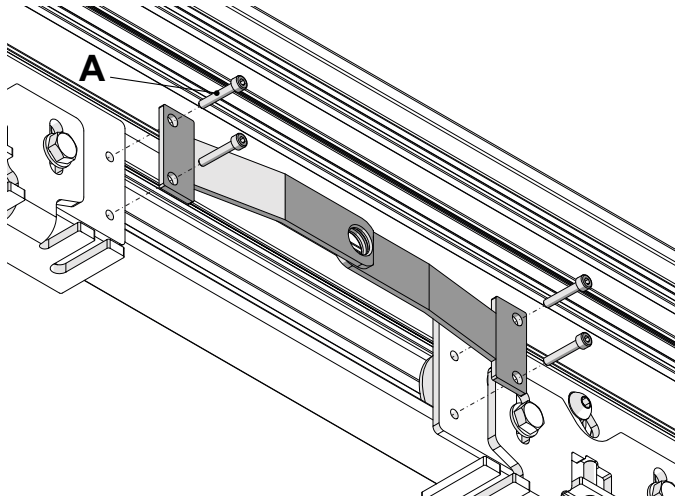
6.4 - Connect the electric lock output to the LK terminals of the command control unit.



## 7 Emergency electric lock installation (99EB0003)

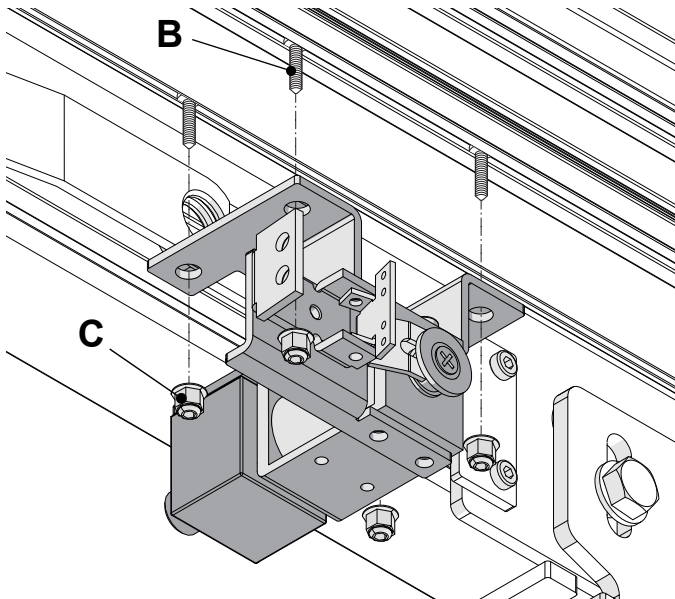
The "emergency" lock device is considered a safety lock because in case of a power failure, or in the event of a fault, the doors can be manually moved.

7.1 - Fasten the two brackets to the carriages using the 4 screws A

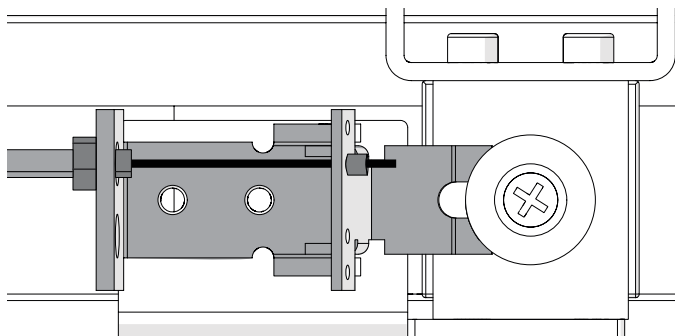


7.2 - In the specific strokes, insert the 4 hex head screws B as in the figure. Then, fasten the electric locking unit using the 4 nuts C.

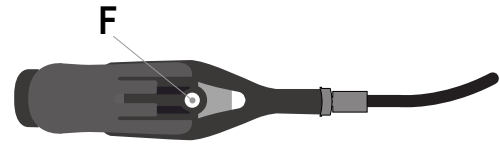
Pay attention to correct alignment of the electric lock pin with the holes in the brackets.



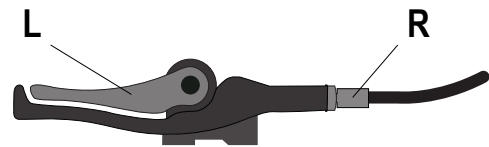
7.3 - Pass the lever unlocking cord as indicated in the figure, then fasten it on the end with the specific stop



Fasten the manual unlocking lever in the desired position using the hole F.

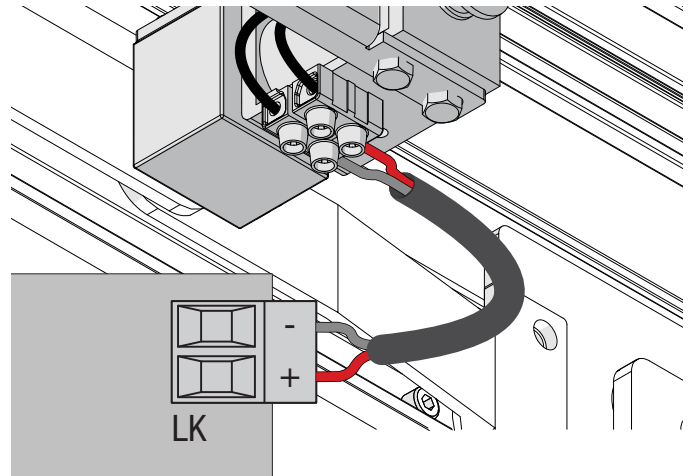


Adjust the tightening of the steel cable C with the lever L in the "unlocking" position and bracket S turned completely SX. For further adjustments, use the adjustment screws R.



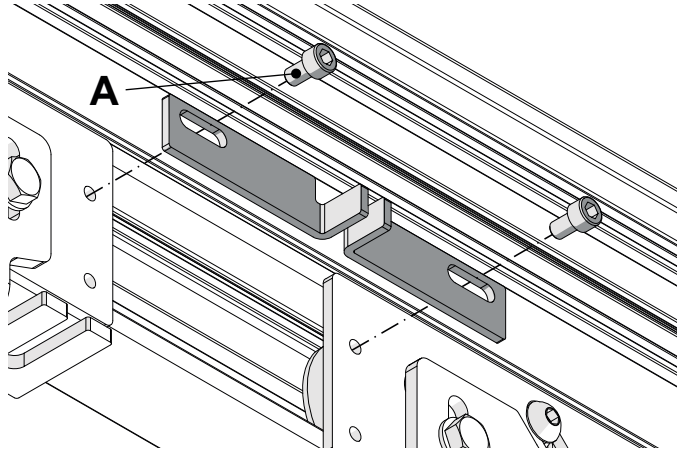
**IMPORTANT:** Set the TYLK parameter of the ADV menu on LK2

7.4 - Connect the electric lock output to the LK terminals of the command control unit.



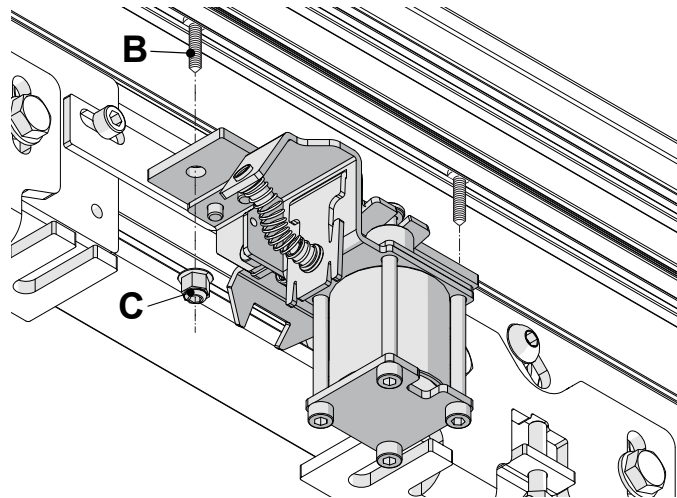
The "bistable" locking device was designed to allow its locked/unlocked position without the need for permanent power. Passage from one position to another is obtained by temporarily piloting the locking reel by using suitable power. It is mostly used for escape routes because the door must never be locked, except when the emergency function is disabled, for example when the "door is closed".

**8.1** - In the specific strokes, insert the 2 hex head screws **B** as in the figure. Then, fasten the electric locking unit using the 2 self-locking nuts **C**.

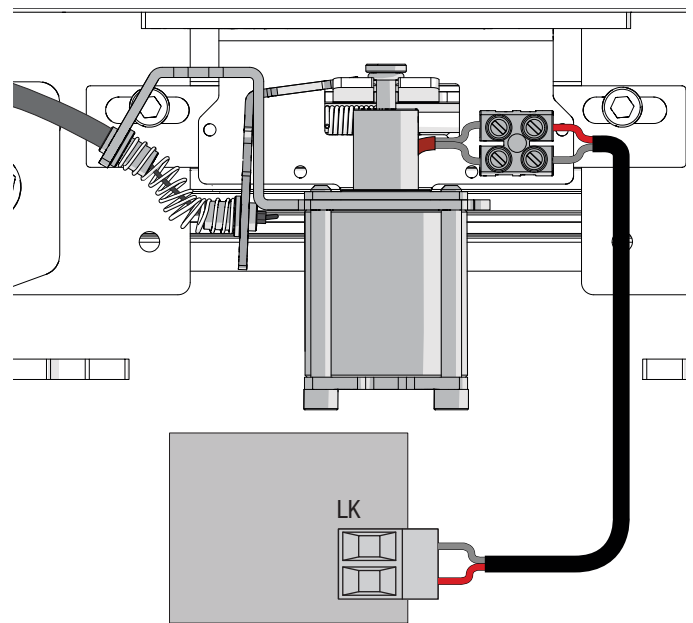


**8.2** - In the specific strokes, insert the 2 hex head screws **B** as in the figure. Then, fasten the electric locking unit using the 2 self-locking nuts **C**.

Pay attention to correct alignment of the electric lock lever with the two brackets.



**8.3** - Connect the electric lock output to the LK terminals of the command control unit.



**IMPORTANT:** Set the TYLK parameter of the ADV menu on LK3

Fasten the battery-powered device on the box profile

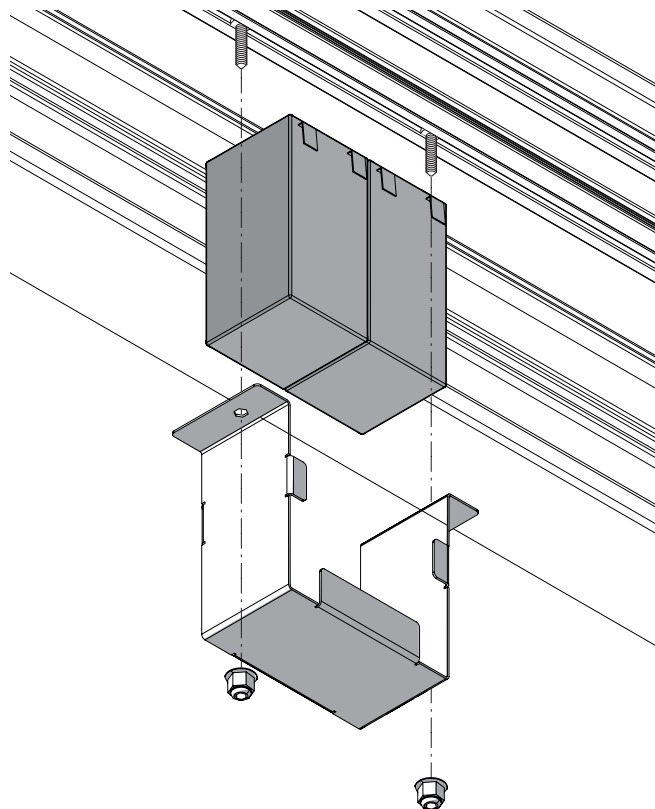
Connect the battery-powered device to the BAT connector of the electronic control, using the cable provided (see paragraph 11).

Check that the battery is connected to the electronic board.

Connect the automation to the power supply and wait at least 30 minutes to allow the battery to recharge.

N.B. to recharge, the battery-powered device must always be connected to the electronic control. In case of long periods of inactivity of the automatic door, disconnect the battery from the electronic board.

For the operating mode of the automation with the battery-powered device, see the BASE menu - BTMD parameter.



## 10 Cover opening and locking

The cover can be locked in the opening position to facilitate installation operations:

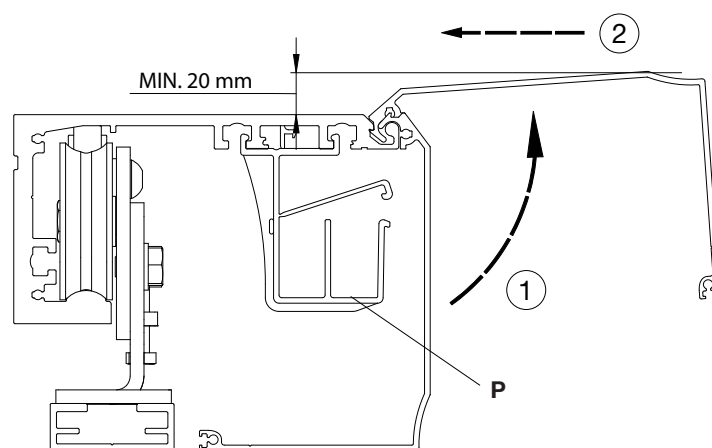
1 - Open the casing

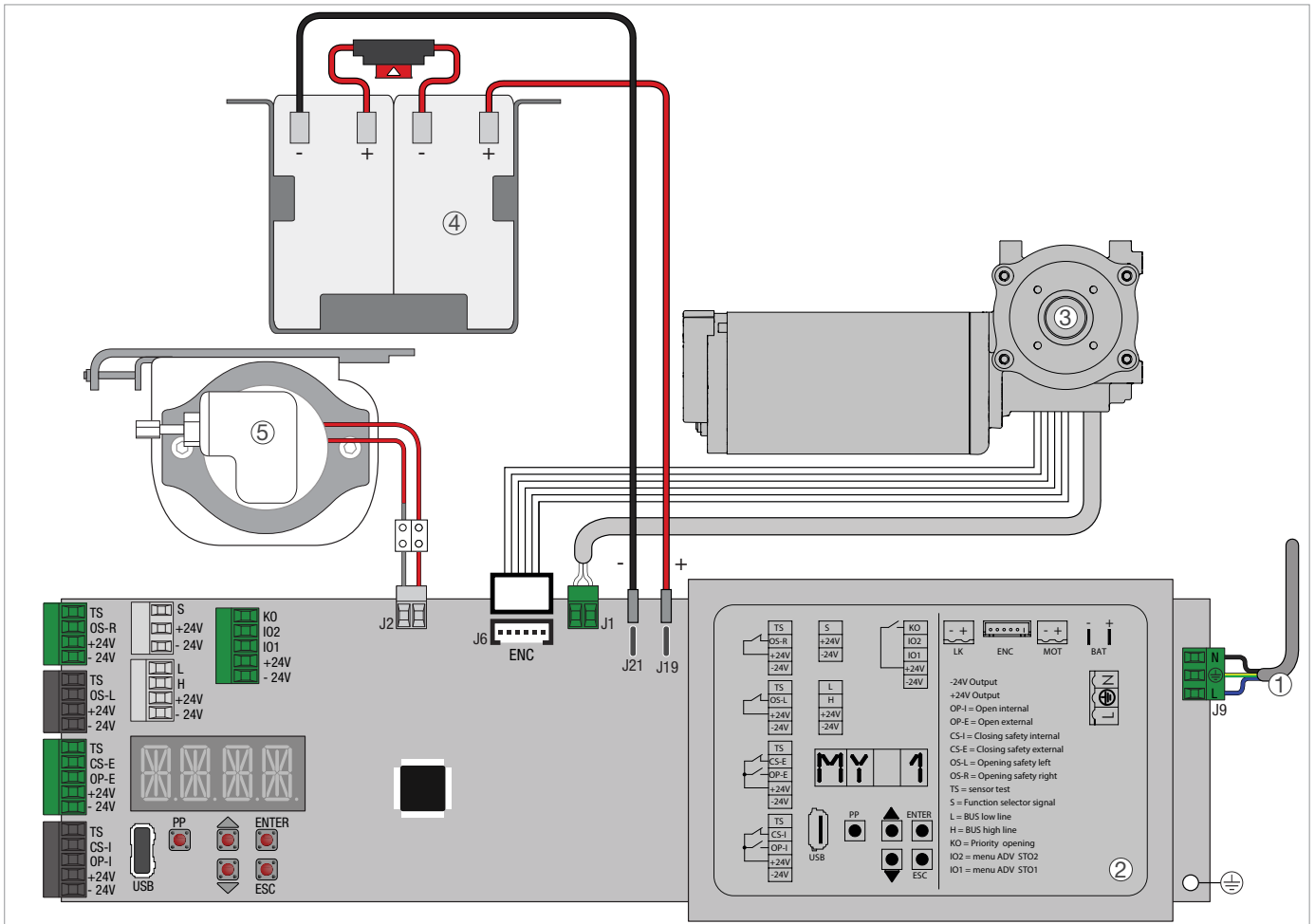
2 - Push the casing towards the wall to lock it

When the casing is closed, fasten it to the heads with the screws provided.

To lock the casing, you need a space of at least 20mm over the profile of the door.

Note: A cable gland (P) is pre-installed on the right side of the motor which allows passage of the connection cables. Keep the mains supply separate from the low voltage device cables.





Ref.	Code	Terminals	Description
1		MAINS IN	Power cable for automation connection to the electricity mains.
2			CP.LUCE electronic control
3		MOT ENC	Direct current gearmotor Angular sensor
4		BAT	KIT 99BA0001
5		LK	Locking device

## 11.1 GENERAL ELECTRICAL SAFETY WARNINGS

The installation, electrical connections and adjustments must be carried out in compliance with good practice and the standards in force.

Before connecting the electrical power supply, ensure the plate data correspond to those of the electrical distribution mains. On the power supply mains, install an omnipolar switch/sectioning device with an opening distance of the contacts equal or over 3mm. This switch must be protected from unauthorised activations.

Check upstream of the electrical system that there is an adequate differential switch and an overcurrent safety device.

When required, connect the automation to an efficient earthing system installed as indicated by safety standards in force.

During installation, maintenance and repair operations, disconnect the power supply before opening the casing to have access to the electrical parts.

The electronic parts must be handled using anti-static, conductive wrist straps connected to the ground.

MYONE S.r.l. cannot be held in any way liable if components are installed which are incompatible for safety purposes and for good operation.

For possible repair or replacement of products, only original spare parts must be used.

## 11.2 ELECTRICAL POWER SUPPLY CONNECTION

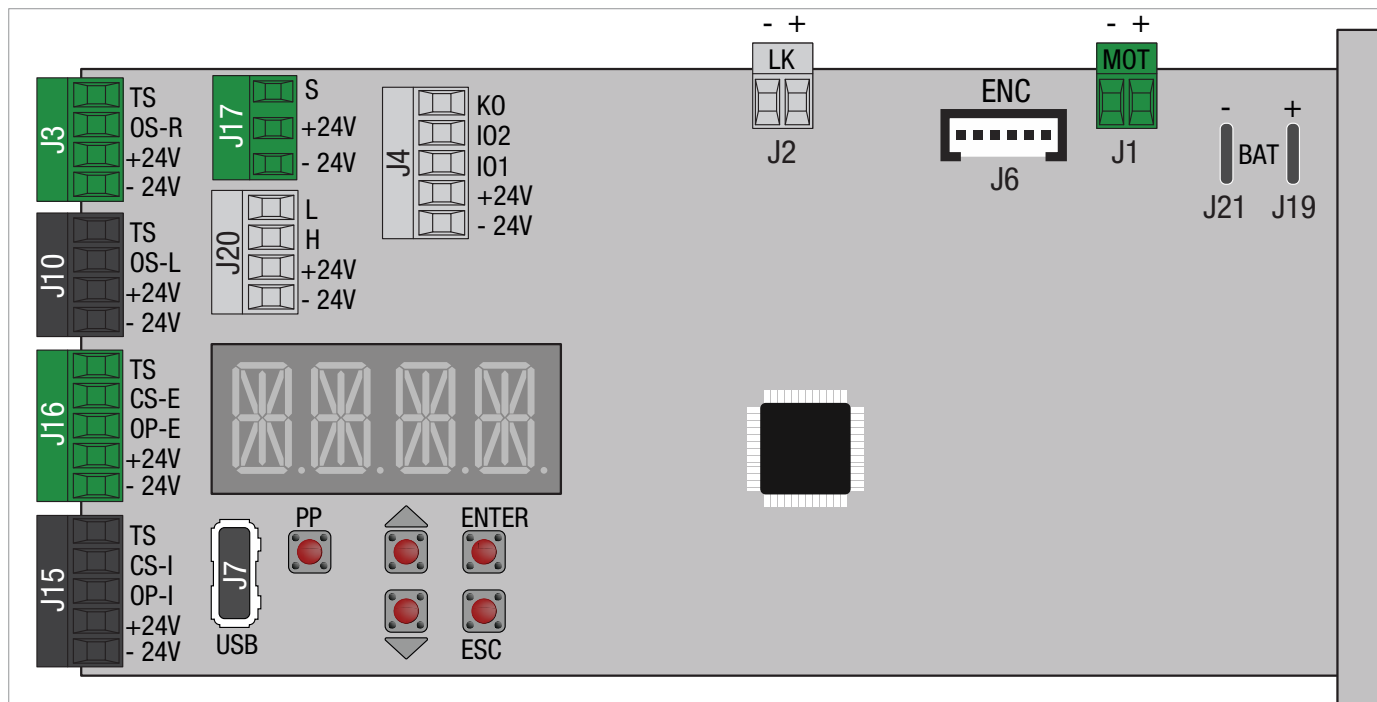
Use a power supply cable for connection to the power supply mains.

The power supply cable can be connected to an electrical socket (not supplied by us), prepared near the automation head.

If an electrical socket is not present near the automation, connect to the electrical mains as follows: drill the aluminium box at the top, protect passage of the power supply cable using cable glands (not supplied by us) to eliminate sharp edges which could damage the power cable, and connect the cable to the electricity supply.

Connection to the electrical power supply, in the section outside automation, must take place via an independent duct and separated from the connections to the command and safety devices.

11.3 ELECTRONIC CONTROL TERMINAL BOARDS



When you connect the safety devices, remove the jumpers of the corresponding terminals.

Terminal J3 (green)	Description
<b>TS</b>	Test output (+24V). Connect the safety devices with testing (compliance with standard EN 16005), as indicated in the following chapters. N.B. For devices without testing, connect the N.C. contact to the TS/OS-R terminals.
<b>TS /OS-R</b>	N.C. safety contact in opening side B (right hand side of automation view). When the door is opening, opening the contact causes the slowing down of the door in the last 500 mm (the safety function of the OS-R terminal can be modified using the advanced parameters menu). N.B. Connect the safety devices with testing (see TS terminal) and remove the TS/OS-R jumper.
<b>+24V / -24V</b>	24 Vdc output for external accessories supply. Maximum absorption of 1 A corresponding to the sum of all the terminals (+/- 24V).


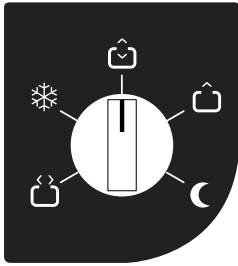




Terminals J10 (black)	Description
<b>TS</b>	Test output (+24V). Connect the safety devices with testing (compliance with standard EN 16005), as indicated in the following chapters. N.B. For devices without testing, connect the N.C. contact to the TS/OS-L terminals.
<b>TS /OS-L</b>	N.C. safety contact in opening side A (left hand side of automation view). When the door is opening, opening the contact causes the slowing down of the door in the last 500 mm (the safety function of the OS-L terminal can be modified using the advanced parameters menu). N.B. Connect the safety devices with testing (see TS terminal) and remove the TS/OS-L jumper.
<b>+24V / -24V</b>	24 Vdc output for external accessories supply. Maximum absorption of 1 A corresponding to the sum of all the terminals (+/- 24V).

Terminal J16 (green)	Description
<b>TS</b>	Test output (+24V). Connect the safety devices with testing (compliance with standard EN 16005), as indicated in the following chapters. N.B. For devices without testing, connect the N.C. contact to the TS/CS-E terminals.
<b>TS / CS-E</b>	N.C. safety contact on passage compartment side B (external side of automation view). When the door is closing, opening of the contact causes movement inversion. N.B. Connect the safety devices with testing (see TS terminal) and remove the TS – CS-E jumper.
<b>TS / OP-E</b>	N.O. opening contact side B (external side of automation view).
<b>+24V / -24V</b>	24 Vdc output for external accessories supply. Maximum absorption of 1 A corresponding to the sum of all the terminals (+/- 24V).

Terminals J15 (black)	Description
<b>TS</b>	Test output (+24V). Connect the safety devices with testing (compliance with standard EN 16005), as indicated in the following chapters. N.B. For devices without testing, connect the N.C. contact to the TS/CS-I terminals.
<b>TS /CS-I</b>	N.C. safety contact on passage compartment side A (internal side of automation view). When the door is closing, opening of the contact causes movement inversion. N.B. Connect the safety devices with testing (see TS terminal) and remove the TS – CS-I jumper.
<b>TS / OP-I</b>	N.O. opening contact side A (internal side of automation view).
<b>+24V / -24V</b>	24 Vdc output for external accessories supply. Maximum absorption of 1 A corresponding to the sum of all the terminals (+/- 24V).
Terminals J4 (grey)	Description
<b>S</b>	Rotary selector signal 31SR0003
<b>+24V / -24V</b>	Rotary selector power supply. Maximum absorption of 1 A corresponding to the sum of all the terminals (+/- 24V).
Terminals J20 (grey)	Description
<b>L / H /+24V / -24 V</b>	<b>BUS connection (not used)</b>
Terminals J17 (green)	Description
<b>KO</b>	N.O. contact of priority opening, to be connected to devices accessible only to authorised staff using keys or codes.
<b>IO2</b>	Input terminal for general use. Using the ADV menu > SIO2, you can associate the IO2 terminal with a specific function.
<b>IO1</b>	Input terminal for general use. Using the ADV menu > SIO1, you can associate the IO1 terminal with a specific function.
<b>+24V / -24V</b>	24 Vdc output for external accessories supply. Maximum absorption of 1 A corresponding to the sum of all the terminals (+/- 24V).
Terminals J2 (grey)	Description
<b>LK</b>	<b>Output for activation of the electromechanical lock (+/Red - /Black) (Select the type of lock using TYLK logic)</b>
Terminals J6	Description
<b>ENC</b>	Rapid connector for angular sensor connection (Encoder)
Terminals J1 (green)	Description
<b>MOT</b>	Connector for motor connection
Terminals J9 (green)	Description
<b>MAINS IN</b>	Mains input 100-240Vac 50/60Hz
Connector J7	Description
<b>USB</b>	USB port Enables saving and loading the configuration of the command control unit. Refer to the USB paragraph.

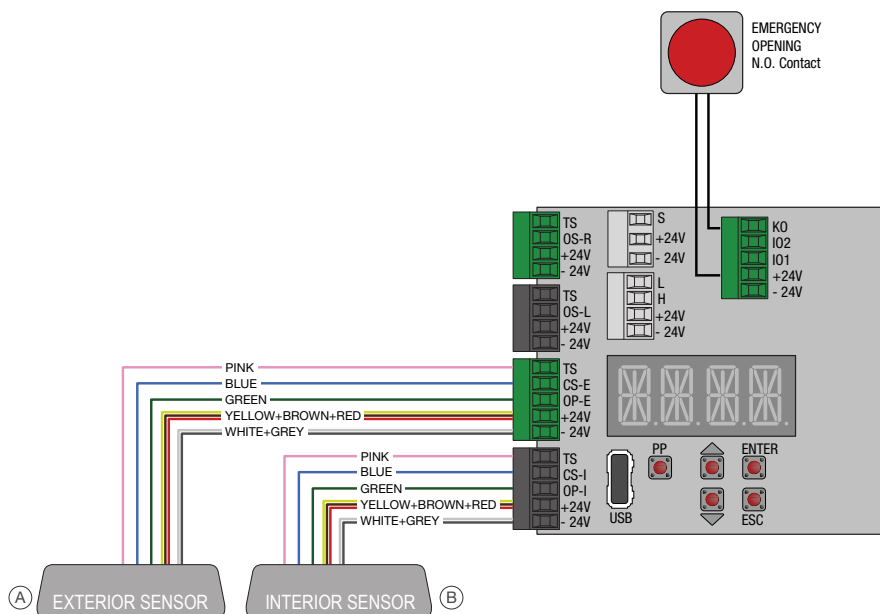
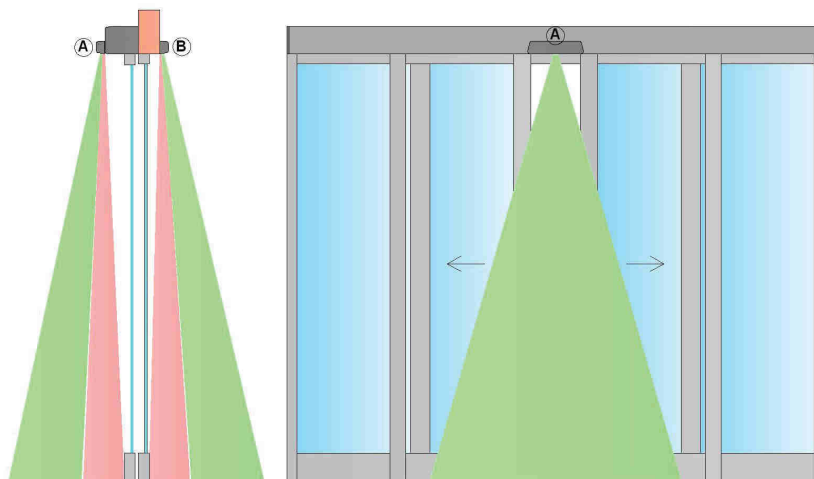
#### 11.4 ELECTRICAL CONNECTIONS OF FUNCTIONS SELECTOR 31SR0009 - 31SR0010 - 31SR0011 - 31SR0012

Connect the terminals (+24V, -24V, S) on the functions selector, using the cable not supplied by us, for terminals (+24V, -24V, S) of the electronic control.  
N.B. For lengths over 10 metres, use a cable with 2 twisted pairs.

Symbol	Description	
	<b>DOOR OPEN</b> The door is open and remains open.	
	<b>PARTIAL</b> The door is partially open (settable from 10% to 90% of the stroke).	
	<b>BIDIRECTIONAL TOTAL OPENING</b> Allows bidirectional door opening.	
	<b>UNIDIRECTIONAL TOTAL OPENING</b> Allows unidirectional operation from the internal/external side of the door.	
	<b>NIGHT CLOSURE</b> The door closes and remains locked (if a lock is present), disabling the radar.	



11.5 SAFETY SENSOR ELECTRICAL CONNECTIONS (INTERNAL/EXTERNAL TRANSIT AREA)

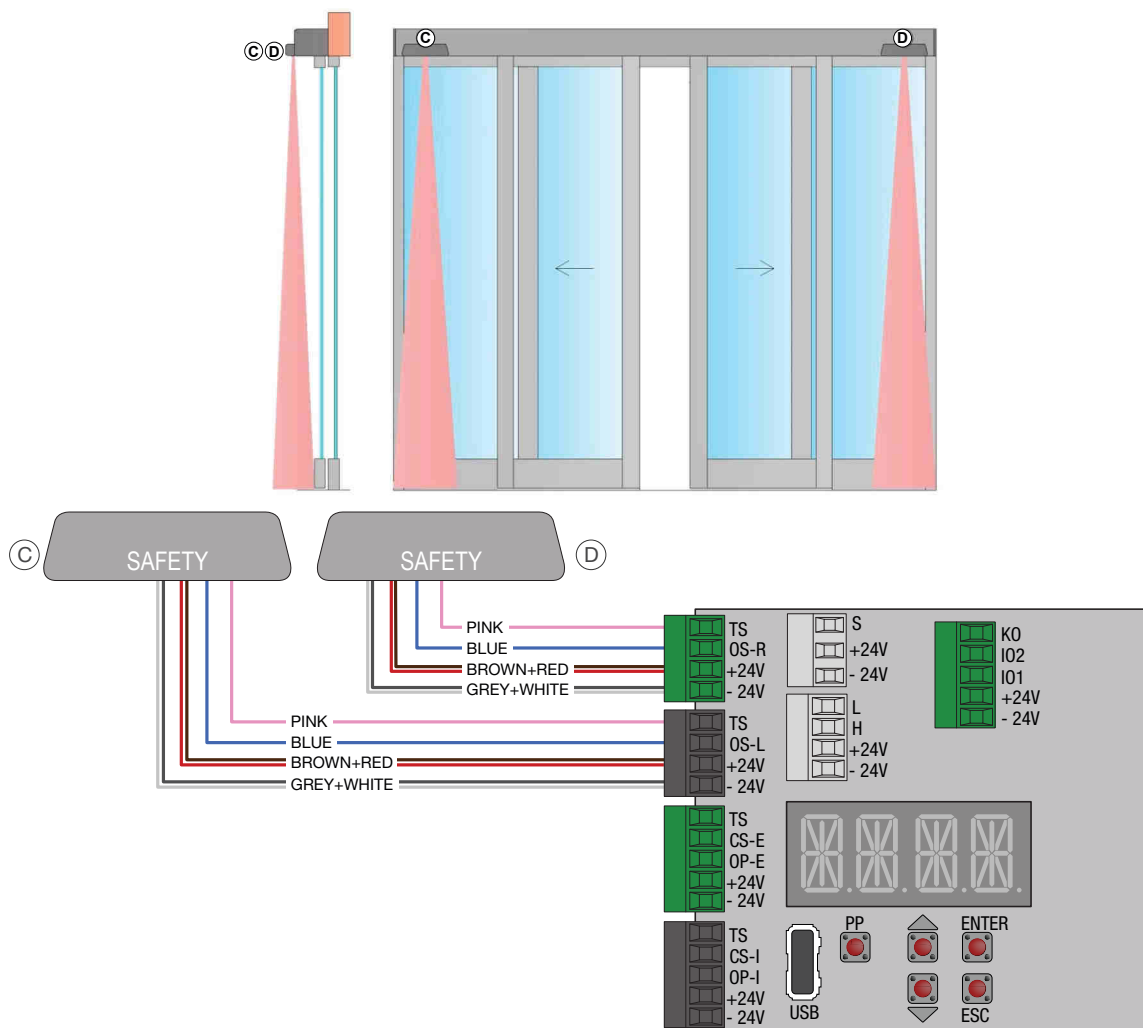


Connect the sensor, using the cable supplied, to the terminals of the electronic control as follows:

Terminals	(A) External Sensor 31RD0001	Notes	Terminals	(B) Internal Sensor 31RD0001	Notes
TS Sensor Test	Pink		TS Sensor Test	Pink	
CS-E Closing Safety External	Blue	Remove the jumper	CS-I Closing Safety Internal	Blue	Remove the jumper
OP-E Opening Safety External	Green		OP-I Opening Safety Internal	Green	
+24	Brown + Yellow + Red		+24	Brown + Yellow + Red	
-24	White + Grey		-24	White + Grey	

For further information, refer to the installation manual of the sensor.

### 11.6 SAFETY SENSORS ELECTRICAL CONNECTIONS (DOOR SLIDING SIDE AREA)



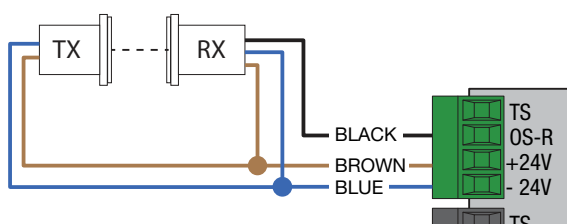
Connect the sensor, using the cable supplied, to the terminals of the electronic control as follows:

Terminals	(C) Left Safety Sensor 31RP0001	Notes	Terminals	(D) Right Safety Sensor 31RP0001	Notes
TS Sensor Test	Pink		TS Sensor Test	Pink	
OS-L Opening Safety Left	Blue	Remove the jumper	OS-R Opening Safety Right	Blue	Remove the jumper
+24	Brown + Red		+24	Brown + Red	
-24	White + Grey		-24	White + Grey	

For further information, refer to the installation manual of the sensor.

### 11.7 ELECTRICAL CONNECTION OF PHOTOCELLS

Connect the sensor, using the cable supplied, to the terminals of the electronic control as follows:



Bornes	Cellule photoélectrique	Notes
OS-R Opening Safety Right	Noir	Retirer le pontet
+24	Marron	
-24	Bleu	

For further information, refer to the installation manual of the photocell.

The CP.LUCE control unit is equipped with 5 buttons and 4 alphanumerical displays to set all the necessary adjustments. Operation of the 4 buttons is indicated in the table

Buttons	Description
PP (OP)	OPEN button carries out the OPEN command equivalent to KO contact.
ENTER	Selection button, each time it is pressed you enter the selected parameter. Saving button by pressing for 1 second you "SAVE" the selected value.
ESC	Escape button, each time it is pressed you exit the selected parameter or from the menu.
↑	Scroll button, each time it is pressed, you select a menu item or increase the value of the selected item.
↓	Scroll button, each time it is pressed, you select a menu item or reduce the value of the selected item

### 12.1 MENUS LIST

- **BASE** basic parameters
- **INFO** board information
- **MEM** memory management
- **ADV** advanced parameters

### 12.2 BASE MENU

ID	Description	Values	Notes
OPEN	Opening direction selection	<> -> <-	Double door / single door opening to the right Single door opening to the left
VOP	Opening speed	100 - 800	[mm/s]
VCL	Closure speed	100 - 800	[mm/s]
TAC	Automatic closure time	NO 1 - 30	NO = automatic closure disabled [s]
PUSH	Automation thrust force	1 - 10	1 = min, 10 = max
PART	Percentage of partial opening	10 - 90	[%]
BTMD	Battery operating mode	NO UNLK CONT  EMER	Battery not considered The unlock device uncouples and the door does not move The door continues to operate normally, with low battery the door remains in open position. In case of a power failure, the door opens and remains open.
RAMP	Acceleration time	100 - 2000	100 = Maximum acceleration [ms]

### 12.3 INFO MENU

ID	Description	Valeurs	Notes
SHOW	Display of possible anomalies and operating information on the display	CONT WARN	Display of active contacts of the terminal boards + warning Warning only
VER	Fw version	XXXX	XXXX = firmware version
CYCL	Number of executed manoeuvres	0 - 9999	Number of executed manoeuvres in thousands: 1 = 1000 manoeuvres
SERV	Maintenance signalling setting	NO 1 - 9999	NO = signalling disabled Number of manoeuvres after which the maintenance warning is signalled on the display of the control unit (in thousands) or setting SIO1/SIO2 signal
LOG	Saving the board log	NO/YES *(NOMS)	Select YES and press ENTER until the writing SAVE appears. The log file (text file) will be saved in MYONEDS/SLIDING/LOG/ *If NOMS appears, the USB pen is not detected or is absent
WARN	List of the last 10 warnings		The warnings are put in the order from the latest to the oldest (0.xxx ... 9.yyy)

## 12.4 MEM MENU

ID	Description	Values	Notes
<b>FSET</b>	Back to factory settings	NO/YES	
<b>FW</b>	Fw upgrade on board	Name of upgrade files *(NOMS)	Select the Firmware version to upgrade from those available. The upgrade files should be inserted in the path MYONEDS/SLIDING/FW/ *If NOMS appears, the USB pen is not detected or absent
<b>SIN</b>	Settings loading from USB	NO/YES *(NOMS)	Loading files from MYONEDS/SLIDING/SET/ *If NOMS appears, the USB pen is not detected or absent
<b>SOUT</b>	Settings saving on USB key	NO/YES *(NOMS)	File saving in MYONEDS/SLIDING/SET/ *If NOMS appears, the USB pen is not detected or absent

## 12.5 ADV (Advanced) menu

ID	Description	Values	Notes
<b>OSSM</b>	Slowing down space of the door during the opening in case of side safety sensor activation (OS-R, OS-L)	YES	Reduced speed on all the passage compartment
		NO	Disabled function
		100 - 500 [mm]	Space in [mm] at reduced speed in the final part of the stroke (equal to 100mm/s)
<b>OSSS</b>	Stopping distance of the door during the opening in case of side safety sensor activation (OS-R, OS-L)	NO	Disabled function
		100 - 500 [mm]	Stopping distance in [mm] in the final part of the stroke
<b>ELLK</b>	Locking operating mode	AUTO	Automatic mode: automatic detection of the lock presence, if present the locking control adapts to the operating mode of the door selected
		LOCK	Lock always lowered on closed door
		UNLK	Lock always unlocked (except in night mode)
<b>TYLK</b>	Type of lock	LK1	Secure monostable lock (99EB0001-99EB0006)
		LK2	Safe monostable lock (99EB0003)
		LK3	Bistable lock (99EB0004)
<b>PIPP</b>	Leaf open check enabled	NO/YES	YES = check enabled, on each opening, the open position is checked by pushing on the leaf stop
<b>PUCL</b>	Thrust force with door closed (anti-wind function)	NO	No thrust
			3 force levels applied
<b>HOLD</b>	Maintenance force with door open (anti-wind function)	NO	No maintenance of open door
		MIN	3 maximum strength levels applicable to keep the door in the open position
		MED MAX	
<b>TS</b>	Safety sensors test enabling	NO/YES	YES = Sensors test enabled
<b>PUGO</b>	Push and Go	NO/YES	YES = Manual movement of the leaf from closed position causes opening
<b>VTAC</b>	Variable automatic closure time	NO/YES	YES = In case of heavy passage of people, after 5 consecutive inversions the door increases the automatic closure time by 5 seconds
<b>MOT</b>	Manual sliding configuration of the door (operation only with door powered)	OC	Windings open - Manual opening with little friction
		SC	Short-circuited motor windings Manual opening of the door with greater resistance

<b>SIO1</b>	Input/Output IO1 setting of the terminal J4. If used as input, connect the device contact to the terminals IO1/+24V. If used as output, connect the load to the terminals IO1/-24V (ATTENTION!: 30 mA max). For devices with higher absorption, use a support relay	NO	Disabled
		IO1 Used as OUTPUT	
		WARN	Signals, by activating the output, an alarm status that lasts for more than 5 min (see Alarms paragraph) To reset, disconnect power supply.
		SERV	Signals, by activating the output, the number of manoeuvres has been reached for maintenance set by the INFO-SERV parameter
		SIGN	Output is enabled based on the settings of the ADV-SIGN parameter
		BELL	The output allows you to connect an acoustic warning device, in case of people's passage the output activates for 3 sec.
		IO1 Used as INPUT	
		PART	Input for partial opening contact (see BASE-PART MENU)
		EMER	Input for emergency opening contact (NC) Opening of the contact causes the door to open
		STEP	Input for step by step opening contact (open impulse/lose impulse). During the opening through the step by step command, the automatic closure is disabled.
		STOP	Input for immediate stop command contact
		SAM	Input configurable with the SAM1/SAM2 menus.
		KOPT	Partial Open Key. Priority partial open command
		KC	Key Close. Priority close command
		<b>SIO2</b>	Input/Output IO2 setting of the terminal J4. If used as input, connect the device contact to the terminals IO2/+24V. If used as output, connect the load to the terminals IO2/-24V (ATTENTION!: 30 mA max). For devices with higher absorption, use a support relay
IO2 Used as OUTPUT			
WARN	Signals, by activating the output, an alarm status that lasts for more than 5 min (see Alarms paragraph) To reset, disconnect power supply.		
SERV	Signals, by activating the output, that the number of manoeuvres has been reached for maintenance set by the INFO-SERV parameter		
SIGN	Output is enabled based on the settings of the ADV-SIGN parameter		
BELL	The output allows you to connect an acoustic warning device, in case of people's passage the output activates for 3 sec.		
IO2 Used as INPUT			
PART	Input for partial opening contact (see BASE-PART MENU)		
EMER	Input for emergency opening contact (NC) Opening of the contact causes the door to open		
STEP	Input for step by step opening contact (open impulse/lose impulse). During the opening the step by step command, the automatic closure is disabled.		
STOP	Input for immediate stop command contact		
SAM	Input configurable with the SAM1/SAM2 menus.		
KOPT	Partial Open Key. Priority partial open command		
KC	Key Close. Priority close command		
<b>SIGN</b>	Warnings		
		LAMP	Flashing/light (door in motion)
		AIR	Air knife
		OPEN	Open door warning
<b>TAKO</b>	Automatic closing time in case of Key Open (KO) input activation	NO	Closure time equal to TAC (Automatic closure time)
		1 - 30	Differentiated automatic closure time [s]
<b>SAM1</b>	If in the SIO1/SIO2 menu, the item SAM is selected, you can choose which operating mode to set when the contact (SIO1/SIO2) is HIGH	CLOS	Door closed
		1D	Unidirectional
		PA	Partial
		1DPA	Partial unidirectional
		OPEN	Door open
		AUTO	Automatic/day mode

<b>SAM2</b>	If in the SIO1/SIO2 menu, the item SAM is selected, you can choose which operating mode to set when the contact (SIO1/SIO2) is LOW	CLOS	Door closed
		1D	Unidirectional
		PA	Partial
		1DPA	Partial unidirectional
		OPEN	Door open
		AUTO	Automatic/day mode
<b>DLAY</b>	Maintenance time of the unidirectional opening mode during night stop	1 sec - 5 min	The night stop procedure (night mode) includes passage using the unidirectional mode, held for the time specified in DLAY, to allow the exit, but not entrance

## 13.1 ALARMS

Code	Description	Notes
<b>W001</b>	Encoder fault	Faulty encoder. The automation stops.
<b>W002</b>	Motor short circuit	Overcurrent in the motor has been detected. The control blocks the movement for 1.5s then tries to power the motor again
<b>W003</b>	Motor control error	Error on motor control circuit. The automation stops
<b>W004</b>	Current reading circuits fault	Incorrect reading of the motor currents. The automation stops
<b>W010</b>	Inverted movement	Detected movement in the opposite direction. The automation stops.
<b>W011</b>	Stroke too long.	During the learning phase, a longer stroke than the maximum permitted was detected. The automation stops.
<b>W012</b>	Stroke too short	During the learning phase, a shorter stroke than the minimum permitted was detected. The automation stops.
<b>W013</b>	Beyond the stop	During the operation, a longer stroke than the acquired one was detected. The automation stops.
<b>W014</b>	Motor absent/faulty	Detected in approx. 3s, if the motor was detached or faulty (no current absorption)
<b>W100</b>	Incorrect user program, Absent	Software upgrade unsuccessful or corrupted. Switch off the board and switch it on again (with the USB pen inserted) to restart the upgrade procedure.

## 13.2 EVENTS

Code	Description	Notes
<b>W128</b>	No mains power supply	
<b>W129</b>	No battery	Enabled if an operating mode is set which includes battery presence
<b>W130</b>	Flat battery	Insufficient battery voltage detected
<b>W140</b>	OS-R safety test failed	The following opening manoeuvre is carried out with open safe mode enabled
<b>W141</b>	OS-L safety test failed	The following opening manoeuvre is carried out with open safe mode enabled
<b>W142</b>	CS-I safety test failed	The door remains open
<b>W143</b>	CS-E safety test failed	The door remains open
<b>W145</b>	High motor temperature	Manoeuvre speed lowered to safe value [100mm/s]
<b>W146</b>	Motor overtemperature	Door stops until the motor temperature returns to safety values
<b>W148</b>	Lock overcurrent	Anomalous lock power supply current (too high)
<b>W150</b>	Obstacle during the opening	Obstacle detected during the opening manoeuvre. The door stops and closes once the automatic closure time is up
<b>W151</b>	Obstacle during the closure	Obstacle detected during the closing manoeuvre. The door reopens
<b>W152</b>	Door locked in closing position	Door cannot start opening manoeuvre. The door does not accept commands for 5s
<b>W153</b>	Door locked in opening position	Door cannot start closing manoeuvre. The door does not accept commands for 5s
<b>W256</b>	Board activation	
<b>W257</b>	Software update start-up	
<b>W320</b>	Maintenance event	Enabled once the automation has carried out the specified number of manoeuvres from the maintenance parameter

### 14.1 Preliminary checks

At the end of the installation activities, move the doors manually and check that the movement is regular and without friction.

Check the structure robustness and the correct fastening of all the screws.

Check that electrical connections have been carried out correctly.

N.B. For doors with emergency exits with one leaf and left opening, the carriage must be fastened to the upper part of the belt, as indicated in the figure.

**14.2** Before connecting possible safety devices, leave the jumpers on the safety terminal boards of the electronic control TS-CS-I, TS-CS-E, TS-OS-L, TS-OS-R).

N.B. The first opening and closing manoeuvre is carried out with low speed to enable automatic detection of the stop measurements

**14.3** To ensure that the electronic control has the factory settings, restore the values using the menu:

MEM > FSET > YES (confirm by pressing ENTER for 1 second).

**14.4** Carry out menu adjustments as indicated in chapter 9. Use the OPEN button to give the opening commands and check that the door is working properly.

N.B. The automation automatically recognises possible obstacles during the closing (movement inversion) and opening manoeuvre (movement stops).

**14.5** Connect the command and safety devices one at a time to protect the door closing manoeuvre, as indicated in chapter 8.5 and check its correct operation.

N.B. Check that the passage compartment is correctly protected by safety sensors, in compliance with the provisions of the European standard EN16005 (Annex C).

**14.6** Connect the safety devices one at a time to protect the door opening manoeuvre, as indicated in chapter 8.6 and check its correct operation.

N.B. In case the distances between the door and the fixed parts comply with the European standard EN16005 (chapter 4.6.2.1.a), safety sensors in opening are not necessary ( $X \leq 100$  and  $Y \geq 200$ ).

**14.7** Connect the functions selector as indicated in chapter 9.4.

**14.8** When start-up is complete, deliver the instruction manual to the manager of the automatic door, including the warnings and information necessary to maintain safety and functionality of the automatic door.

N.B. The manufacturer of the automatic sliding door must add its identification label of the system..

Other than the following list of possible problems, the warnings shown on the display are available, as indicated in chapter 9.5.

Problem	Possible cause	Intervention
The automation does not open or close.	No mains power supply (display off).	Check the presence of the mains power supply.
	Short-circuit of external accessories	Disconnect all the accessories from the terminals 0-1 and reconnect them one at a time (check the presence of 12V voltage).
	The door is locked with latches or locks.	Check that the doors move freely.
The automation does not carry out the functions set.	Functions selector with wrong setting.	Check and correct the functions selector settings.
	Command or safety devices are always activated.	Disconnect the devices from the terminal boards and check the door's operation.
Movement of the doors is not linear or movement is inverted for no reason.	Automation did not correctly detect the stop measurements.	Reset by first switching off the automation then switching it on.
The automation opens but does not close.	The safety devices test causes anomalies.	Bridge one contact at a time TS/OS-R, TS/OS-L, TS/CS-E, TS/CS-I.
	The opening devices are activated.	Check that the opening sensors are not subject to vibrations, do not make false detections or the presence of objects in motion in the action range.
	Automatic closure is not working.	Check the settings of the functions selector.
Safety devices do not intervene.	Wrong connections between the safety devices and electronic control.	Check that the safety contacts of the devices are correctly connected to the terminal boards and the relevant jumpers were removed.
The automation opens by itself.	The opening and safety devices are unstable or detect bodies in motion.	Check that the opening sensors are not subject to vibrations, do not make false detections or the presence of bodies in motion in the action range.
	Automation has detected an anomaly.	Check the presence of the electrical mains. Check the battery connection and its efficiency. Check the closure of 1-E0 contact. Check that the functions selector is in protected mode (the lock symbol must be lit). If present, check the position of the locking device and connection 1-S1.
The locking device does not lock or does not unlock the doors.	Wrong connection of the locking device on electronic control.	Check correct connection of the cable colours on the locking device.
	The lock coupling brackets, fastened on the carriages, do not release from the locking device.	Check adjustment of the position of the lock coupling brackets.
	Pulling the unlocking cord, the doors do not unlock.	Check correct fastening of the unlocking cord on the lock device.



To guarantee the correct operation and safe use of the automatic door, as outlined in the European standard EN16005, the owner must have professionally competent staff carry out the routine maintenance.

Except for routine cleaning activities of the fixture and the floor guiding device, it is the owner's responsibility that all the maintenance and repair activities must be carried out by professionally competent staff.

The following table lists the activities related to ordinary maintenance, and the intervention frequency referring to the automatic sliding door with operation in standard conditions. In case of more burdensome conditions or sporadic use of the automatic sliding door, the frequency of the maintenance intervention can be coherently adjusted.

Activity	Frequency
Disconnect the power supply, open the automation and carry out the following checks and adjustments. <ul style="list-style-type: none"> <li>- Check the correct fastening of all the screws on the components inside the automation.</li> <li>- Check the cleaning of the carriages and the sliding guide.</li> <li>- Check the correct tightening of the belt.</li> <li>- Check the wear status of the belt and the wheels of the carriages (if necessary, replace them).</li> <li>- Check the correct fastening of the doors on the carriages.</li> <li>- If present, check the lock coupling and operation of the unlocking cord.</li> </ul>	Every 6 months or every 500,000 manoeuvres.
Connect the power supply and carry out the following checks and adjustments. <ul style="list-style-type: none"> <li>- Check the correct operation of the command and safety devices.</li> <li>- Check that the detection area of the safety sensors complies with the provisions of the European standard EN16005.</li> <li>- If present, check that the locking device is working correctly.</li> <li>- Check that the battery-powered device is working properly (if necessary, replace the battery).</li> </ul>	Every 6 months or every 500,000 manoeuvres. N.B. Check the safety functions of the automation and the safety devices at least once a year.

All maintenance, replacement, repair, upgrading, etc. operations must be written on the maintenance register, as requested by the European standard EN16005, and delivered to the owner of the automatic sliding door.

For possible repair or replacement of products, original spare parts must be used.

### 16.1 DISPOSAL OF PRODUCTS

In order to correctly dispose of electrical and electronic devices, batteries and accumulators, the owner must give back the product to the recycling waste collection centre arranged by the municipal authority.

## MAINTENANCE REGISTER

FOR AUTOMATIC PEDESTRIAN DOORS IN COMPLIANCE WITH THE MACHINERY DIRECTIVE 2006/42/CE AND THE EUROPEAN REGULATION EN 16005

This maintenance register contains the technical references and records of the installation, maintenance, repair and modification activities and should be made available for possible inspections by authorised bodies.

TECHNICAL DATA OF THE AUTOMATIC DOOR AND INSTALLATION	
Manufacturer / Installer:	_____ Name, address, contact person
Customer / Owner:	_____ Name, address, contact person
Order number:	_____ Number and date of order
Name and description:	_____ Type of door
Dimensions and weight:	_____ Dimensions of the passage compartment, dimensions and weight of the doors
Serial number:	_____ Univocal identification number of the door
Location:	_____ Installation address

LIST OF COMPONENTS INSTALLED	
The technical characteristics and performance of the components listed below are documented in the relevant installation manuals and/or on the label placed on the component.	
Automation:	_____ Model, type, serial number
Motor:	_____ Model, type, serial number
Electronic control:	_____ Model, type, serial number
Safety devices:	_____ Model, type, serial number
Command devices:	_____ Model, type, serial number
Various devices:	_____ Model, type, serial number
Other:	_____ Model, type, serial number

TEST REPORT				
Tick the box corresponding to the intervention carried out: C = Conforming, NC = Non-conforming, NA = Not applicable.				
Phase	Description	C	NC	NA
1	Check the existing structure and automation fastening			
2	Check the correct fastening of the doors to the carriages of the automation and adjustment			
3	Check that the carriages cannot exit the sliding guiding device			
4	Check the belt tension			
5	Check the mechanical limit switches and the fastening of all the screws			
6	Check the floor guiding device			
7	Check that the passage compartment complies with contractual data			
8	Check the distance between the door and the floor			
9	Check the safety distance during the opening			
10	Manually check that the doors slide freely without friction			
11	Check the electrical connections of the devices installed			
12	Check the detection area of the opening and safety sensors			
13	Check the additional opening commands (buttons, contacts with key, etc.)			
14	Check the functions selector			
15	Check operation with the battery			
16	Check the manual locking and unlocking device function			
17	Check the opening and closing speed			
18	Declaration of Conformity delivered to the owner			
19	Use and Maintenance Manual delivered to the owner			
20	Maintenance Register delivered to the owner			
Date _____		Technician's signature _____		Owner's signature _____

DESCRIPTION OF OPERATION Tick the box corresponding to the intervention carried out. Describe possible residual risks and/or foreseeable improper use.		
<input type="checkbox"/> Installation		
<input type="checkbox"/> Start-up		
<input type="checkbox"/> Adjustment		
<input type="checkbox"/> Maintenance		
<input type="checkbox"/> Repair		
<input type="checkbox"/> Modification		
_____	_____	_____
Date	Technician's signature	Owner's signature

DESCRIPTION OF OPERATION Tick the box corresponding to the intervention carried out. Describe possible residual risks and/or foreseeable improper use.		
<input type="checkbox"/> Installation		
<input type="checkbox"/> Start-up		
<input type="checkbox"/> Adjustment		
<input type="checkbox"/> Maintenance		
<input type="checkbox"/> Repair		
<input type="checkbox"/> Modification		
_____	_____	_____
Date	Technician's signature	Owner's signature

DESCRIPTION OF OPERATION Tick the box corresponding to the intervention carried out. Describe possible residual risks and/or foreseeable improper use.		
<input type="checkbox"/> Installation		
<input type="checkbox"/> Start-up		
<input type="checkbox"/> Adjustment		
<input type="checkbox"/> Maintenance		
<input type="checkbox"/> Repair		
<input type="checkbox"/> Modification		
_____	_____	_____
Date	Technician's signature	Owner's signature

DESCRIPTION OF OPERATION		
Tick the box corresponding to the intervention carried out. Describe possible residual risks and/or foreseeable improper use.		
<input type="checkbox"/> Installation		
<input type="checkbox"/> Start-up		
<input type="checkbox"/> Adjustment		
<input type="checkbox"/> Maintenance		
<input type="checkbox"/> Repair		
<input type="checkbox"/> Modification		
_____	_____	_____
Date	Technician's signature	Owner's signature

DESCRIPTION OF OPERATION		
Tick the box corresponding to the intervention carried out. Describe possible residual risks and/or foreseeable improper use.		
<input type="checkbox"/> Installation		
<input type="checkbox"/> Start-up		
<input type="checkbox"/> Adjustment		
<input type="checkbox"/> Maintenance		
<input type="checkbox"/> Repair		
<input type="checkbox"/> Modification		
_____	_____	_____
Date	Technician's signature	Owner's signature

DESCRIPTION OF OPERATION		
Tick the box corresponding to the intervention carried out. Describe possible residual risks and/or foreseeable improper use.		
<input type="checkbox"/> Installation		
<input type="checkbox"/> Start-up		
<input type="checkbox"/> Adjustment		
<input type="checkbox"/> Maintenance		
<input type="checkbox"/> Repair		
<input type="checkbox"/> Modification		
_____	_____	_____
Date	Technician's signature	Owner's signature

**DECLARATION OF INCORPORATION**

Machines Directive 2006/42/EC, Annex II-B



MYONE S.r.l.

Via Abbate Tommaso, 52 - 30020 Quarto d'Altino (VE) - ITALY

**Declares that:**

The Product: Automation for power operated pedestrian sliding door type **LUCE**

Has been built for installation on pedestrian door and constitutes a machine in accordance with Directive 2006/42/EC.

The manufacturer of the power operated pedestrian door must declare its conformity in accordance with Directive 2006/42/EC (Annex II-A) prior to starting-up the machine.

It complies with the applicable essential safety requirements specified in Annex I, chapter 1 of Directive 2006/42/EC.

It complies with the Electromagnetic Compatibility Directive 2014/30/UE.

It complies with following harmonized standards:

EN 16005 Power operated pedestrian doorsets - Safety in use - Requirements and test methods  
(chapters: 4.2, 4.3.1, 4.3.2, 4.3.3, 4.4.1, 4.4.4, 4.4.5, 4.6.1, 4.6.2, 4.6.4, 4.6.7, 4.6.8, 4.7.2.1, 4.7.2.2, 4.7.2.3, 5.1, 5.2, 5.3, 5.4, 5.5.3, 5.6, 5.8, 5.10)

EN 60335-2-103 Household and similar electrical appliances - Safety - Part 2: Particular requirements for drives for gates, doors and windows

The technical documentation complies with Annex VII-B to Directive 2006/42/EC.

The technical documentation is managed by:

Daniele Vanin with registered offices in Via Abbate Tommaso, 52 - 30020 Quarto d'Altino (VE) - ITALY

A copy of the technical documentation shall be supplied to the competent national authorities following duly motivated request.

Place and date:

Quarto d'Altino, 2018-03-01



Daniele Vanin  
General Manager

## GENERAL SAFETY WARNINGS

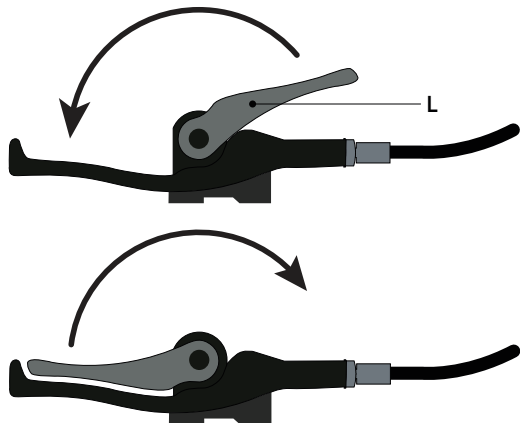
### AUTOMATION FOR SLIDING DOORS

These warnings are an integral and essential part of the product and must be delivered to the user. Read them carefully as they provide important instructions on safety of installation, use and maintenance. You must keep these instructions and give them to anyone taking over the use of the system. This product should only be intended for the use for which it was expressly designed. Any other use should be considered misuse and therefore hazardous. The manufacturer cannot be considered responsible for any damage caused by improper, wrong or unreasonable use. This product is not intended for use by people (including children) whose physical, sensory or mental capacities are reduced, or with no experience or know-how, unless they can benefit from the intermediation of a person responsible for their safety, supervision or instructions regarding use of the device. Avoid working near hinges or mechanical units in motion. Do not enter the action range of the automated door while it is in motion. Do not resist motion of the automated door since it can cause hazardous situations. Do not allow children to play or stay within the action range of the automated door. Keep remote controls and/or any other command devices out of reach of children, to prevent the automated door from being involuntarily activated. In case of a fault or poor operation of the product, disconnect the power supply switch, refraining from any attempt to repair it or direct intervention and contact only qualified staff. Non-compliance with the above can create dangerous situations. Any intervention for cleaning, maintenance or repair must be carried out by qualified staff. To guarantee the efficiency of the system and its correct operation, it is indispensable to comply with the manufacturer's instructions, having qualified staff carry out periodic maintenance of the automated door. In particular, you are advised to carry out periodic testing to ensure that the safety devices are all working properly. Installation, maintenance and repair operations must be documented.

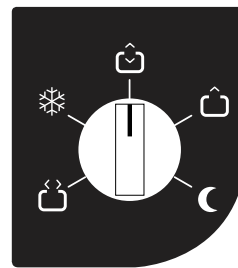
### ELECTRIC LOCK MANUAL UNLOCKING

- In case of emergency, maintenance or malfunctioning, pull the lever L, position it as in the figure and move the doors manually. To lock it, carry out the opposite manoeuvre.

**ATTENTION:** Carry out locking or unlocking operations of the door with the motor switched off.



### FUNCTIONS SELECTOR



Symbol	Description
	<b>DOOR OPEN</b> The door is open and remains open.
	<b>PARTIAL</b> The door is partially open (settable from 10% to 90% of the stroke).
	<b>BIDIRECTIONAL TOTAL OPENING</b> Allows bidirectional door opening.
	<b>UNIDIRECTIONAL TOTAL OPENING</b> Allows unidirectional operation from the internal/external side of the door.
	<b>NIGHT CLOSURE</b> The door closes and remains locked (if a lock is present), disabling the radar.



myone

myone S.r.l - Via T. Abbate, 52 - 30020 Quarto d'Altino (VE) - ITALY Tel. +39 0422 824384 - Fax +39 0422 824384

[www.myoneautomation.com](http://www.myoneautomation.com)