

# RISE®

Smart  
Moving



IWA 14-1:2013 V/7200  
[N3]/48/90: -0.8



PAS 68:2013 V/7500  
[N3]/48/90: -0.5



ASTM INTERNATIONAL  
ASTM F2656 Rating  
C730/7200 - P1



---

# MAXIMUM

---

**AUTOMATIC HYDRAULIC BOLLARD 230 VAC  
ANTI-TERRORISM-CERTIFIED**

---



Made in Italy



# MAXIMUM M30

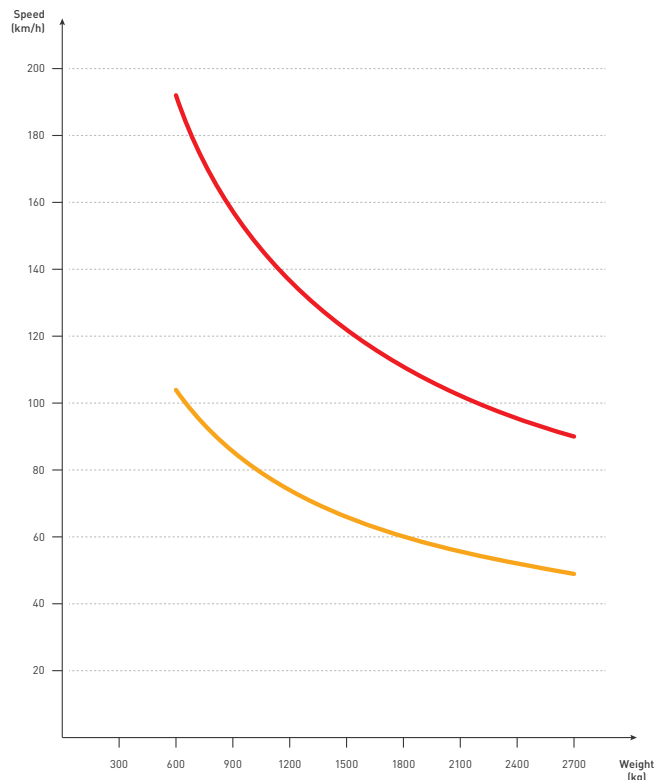
Ø 275 mm | H 900 mm | Thickness 10 mm



- Automatic, hydraulic, certified, anti-terrorism bollard, able to withstand an impact with a vehicle of 7500 kg launched at a speed of 48 km/h
- Dynamic vehicle penetration: -0.8 m
- Cathaphoresis treatment and "Graphite Black" painting or cover in brushed AISI316 stainless steel
- The emergency function E.F.O. (Emergency Fast Operation) is available upon request and allows a fast raising in 1.5 seconds
- Cylinder with built-in LED lights, the control unit can manage 2 bollards at the same time
- Foundation box complying with the EN124 (40T) regulation and independent hydraulic pump for each bollard, laterally positioned in order to avoid any damage in the event of an impact and facilitate the maintenance
- In the event of a power failure, the bollard will remain in the raised position (manual release)
- Heating for the foundation box and buzzer available as accessories
- **SUGGESTED USE IN:**  
Company or factory access driveways |  
Embassies | Police stations | Military bases |  
Ministerial buildings | Sensitive sites

## WATCH THE VIDEO:

[https://www.youtube.com/watch?v=4Do\\_0B4R6al](https://www.youtube.com/watch?v=4Do_0B4R6al)



IWA 14-1:2013 V/7200  
[N3C]/48/90/-0.8



PAS 68:2013 V/7500  
[N3]/48/90/-0.5



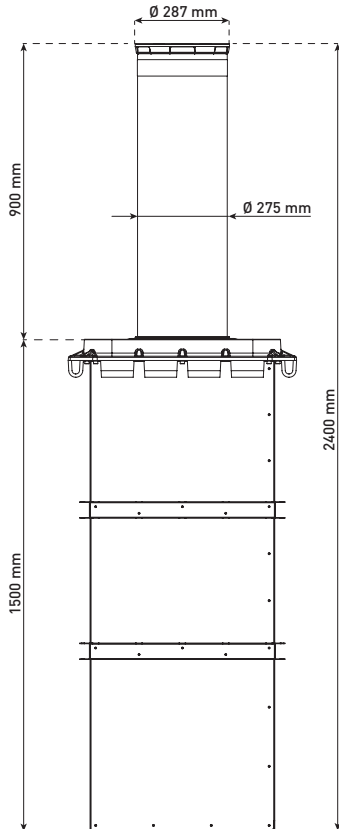
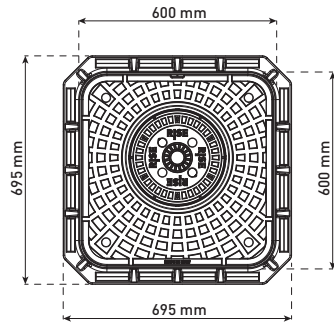
ASTM INTERNATIONAL  
ASTM F2656 Rating  
C730/7200 - P1

— Impact resistance: 250.000 J

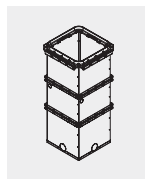
— Breakout resistance: 850.000 J

# MAXIMUM M30

Ø 275 mm | H 900 mm | Thickness 10 mm



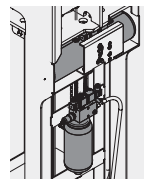
## ACCESSORIES:



**CA.M30**  
Foundation box made of galvanised steel and cast iron.



**CP.BL**  
Board for buzzer and LED management.



**EFO**  
Emergency rising device (Emergency fast operation).



**GL.BUZZ**  
Buzzer.



**GL.CABLE**  
Cable FG16 16x1.5 for hydraulic bollard.



**GL.HEAT**  
Heater for hydraulic bollard, active below 10°C.

TECHNICAL DATA	MAX M30	MAX M30 - I	MAX M30 EFO	MAX M30 EFO - I
Cylinder height			900 mm	
Cylinder diameter			275 mm	
Cylinder thickness			10 mm	
Cylinder material	Steel S355JR	AISI316 stainless steel	Steel S355JR	AISI316 stainless steel
Raising time			4.5 s	
Lowering time			4.5 s	
Power supply	230 Vac - 50/60 Hz (control panel with different voltages available on request)			
Power consumption	1000 W			
Hydraulic pump	Built-in			
Load index (EN124)	D400 (40 tonnes)			
Manual lowering cycle in case of power failure	Manual release under the box cover			
Emergency fast operation [E.F.O.]	NO			YES
Emergency rising time (with E.F.O.)	N/A			1.5 s
Capacitor	31.5 µF			50 µF
Daily cycles	3,500			
MCBF	3,000,000			
Certifications	IWA 14-1:2013 V/7200 [N3C] /48/90: -0.8 PAS68:2013 V/7500 [N3] /48/90: -0.5 ASTM F2656 Rating C730/7200 - P1			
Impact resistance	250,000 J			
Breakout resistance	850,000 J			
Operating temperature	-40°C ÷ +60°C [GL.HEAT available as option for temperatures lower than -10°]			
Protection level	IP67			
Weight (without foundation box)	340 kg	350 kg	348 kg	358 kg

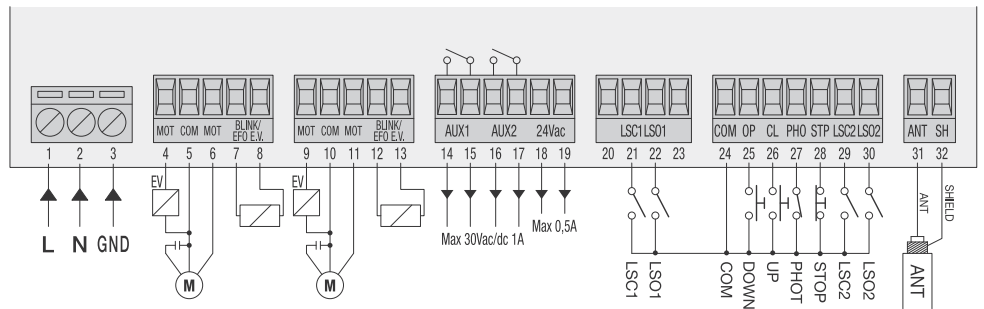
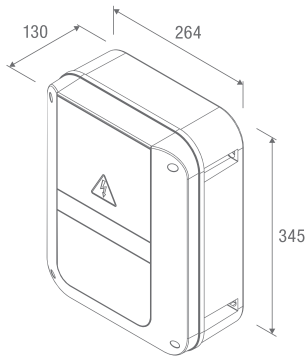


# MAX.CP

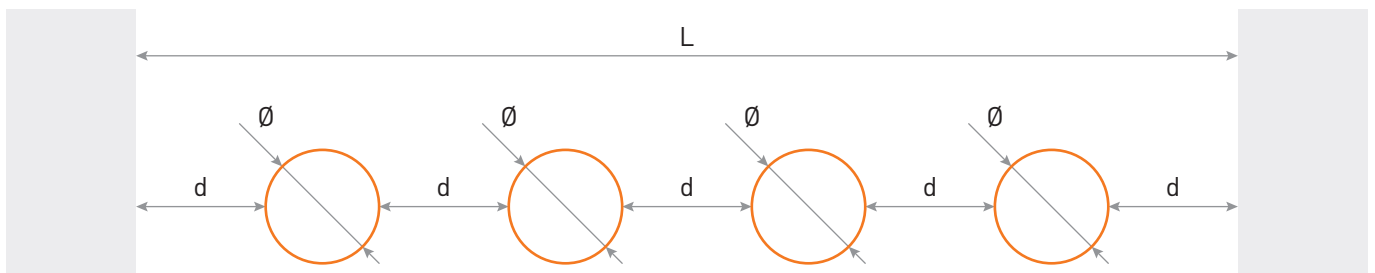
Control panel for 2 hydraulic bollards



- 230 Vac 50/60 Hz power supply
- Control panel for 1 or 2 hydraulic bollards MAXIMUM
- Integrated 433.92 MHz 64-code receiver with 3 encoding systems (Advanced Rolling Code, Rolling Code, Fixed Code)
- Removable terminal boards
- Parameter and operation logic regulations through integrated LCD display
- Automatic, semi-automatic and deadman's logic
- Programming access password
- Equipped with step-by-step command inputs separate for each bollard and centralised command inputs ALL UP and ALL DOWN for the raising and the lowering of both bollards
- **Version with built-in board to manage buzzer/LED lights available (MAX.CP BL)**
- Separate limit switch inputs for each motor
- Control inputs for loop detectors and protection devices (GL.PRES)
- 2 outputs configurable as bollard status indicator or command of the optional board CP.BL
- Designed for the connection of the optional board CP.BL to manage signal lights and the warning buzzer GL.BUZZ
- Protection level IP54



## CALCULATION OF THE BOLLARD NUMBER PER PASSAGE:



$$N = \frac{L - d_{\text{recommended}}}{\varnothing + d_{\text{recommended}}}$$

L (mm) = width of the passage for the vehicles access

N = number of necessary bollards

Ø (mm) = bollards diameter

$$d = \frac{L - (\varnothing \cdot N)}{N + 1}$$

d (mm) = distance between bollards

d<sub>recommended</sub> (mm) = recommended distance between bollards (1.200 mm)



RISE Srl

Sede legale: Via del Capitello, 45 - 36066 Sandrigo (VI) ITALIA

Sede operativa: Via della Tecnica, 10 - 36010 Velo d'Astico (VI) ITALIA

T +39 0444 751401 | C.F. / P.IVA (IT) 03482500240

info@riseweb.it | www.riseweb.it

