

## Pal Gate 4G-GB

Is a 4G network system that opens automatic gates, garage doors, electric locks and roadblocks via an application and an Internet interface \*. It enables complete and secure control of the unit such as:

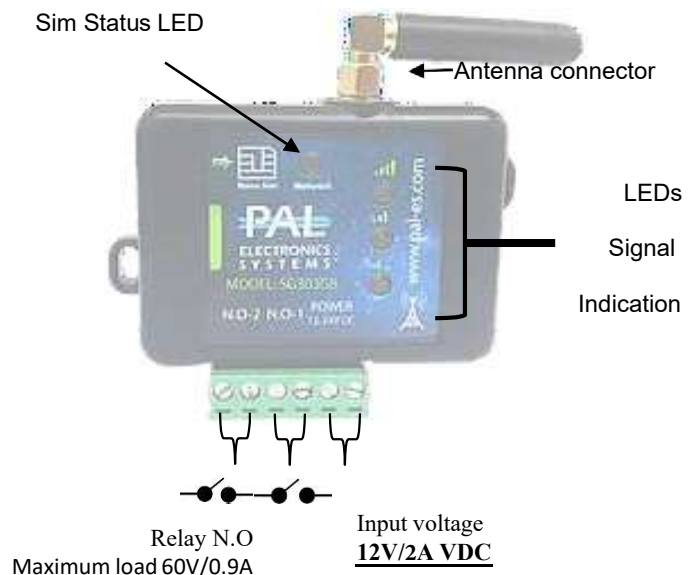
- Administrators set up.
- Add and remove users (unlimited\*\*).
- Set up relay time.
- **Real time log reading on system usage.**

### System features and benefits :

- Internet interface management ability.\*
- Very small physical size 70X50 mm.
- 4 indicator LED lights (active SIM + 3 reception indicator)
- Multiple administrators and authorized users can be configured for optimal control.
- There is no limit to the number of managed systems.
- Operating temperature range: -30 ~ +85°C Ambient
- \*by Payment

### LEDs key

LEDs	Meaning
Fast flashing of the SIM light	System is booting
Slow flashing of the SIM light	Module is looking for a cellular network
2 blinks and break	connecting to the Internet process
Four short flashing of the Sim	Connecting to the PAL interface
Sim is stable	System ready
Signal light No. 1 is on	Low signal
Signal light No. 2 is on	Good signal
Signal light No. 3 is on	Very good signal



Deze afbeelding is van de PA300600, de PA400700 heeft een draadloze ontvanger op afstand, aangezien de afstandsbediening via de App wordt beheerd zijn de functionaliteiten hetzelfde.

### System settings by the app:

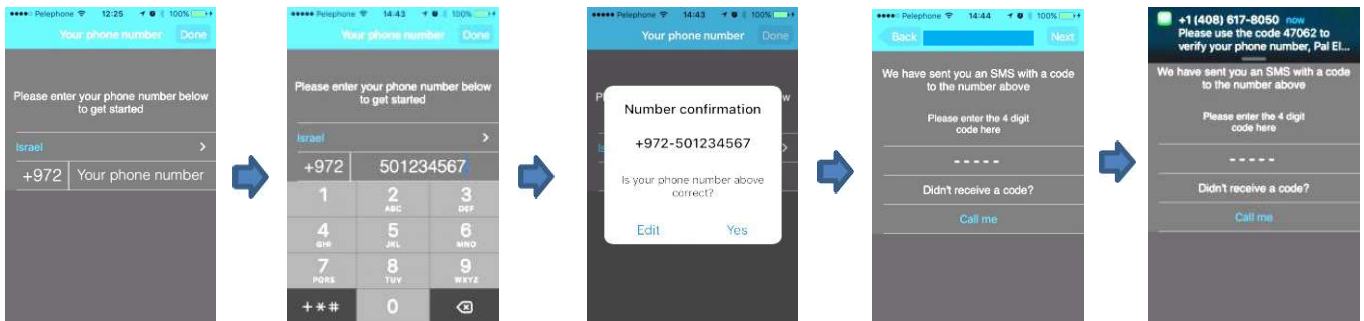
Primary Login:

This application must be first installed from the App Store / Google play by searching for the name PalGate or scan this QR Code for direct link.



Run the application and to act according to the instructions :

## installation:



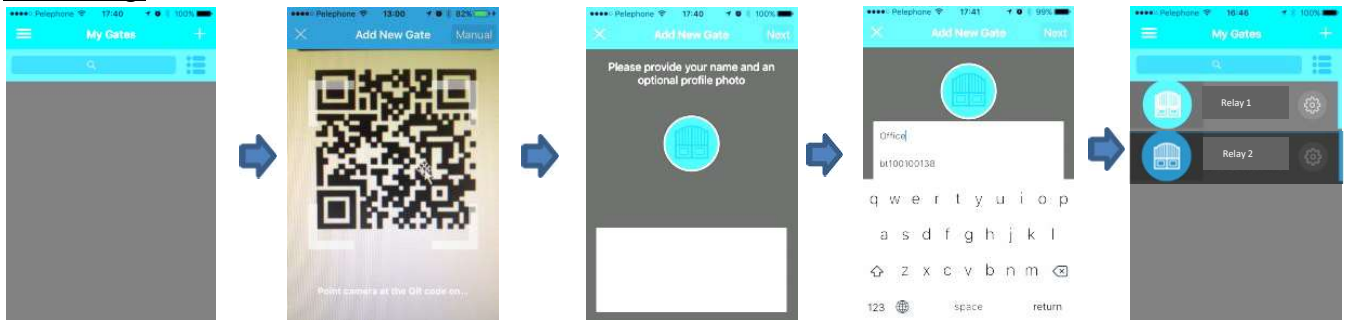
Add your cellophone number

Confirm your number

After adding the phone number wait for verification code

Add the verification code

## Gate setting:



Click the + button to add Gate

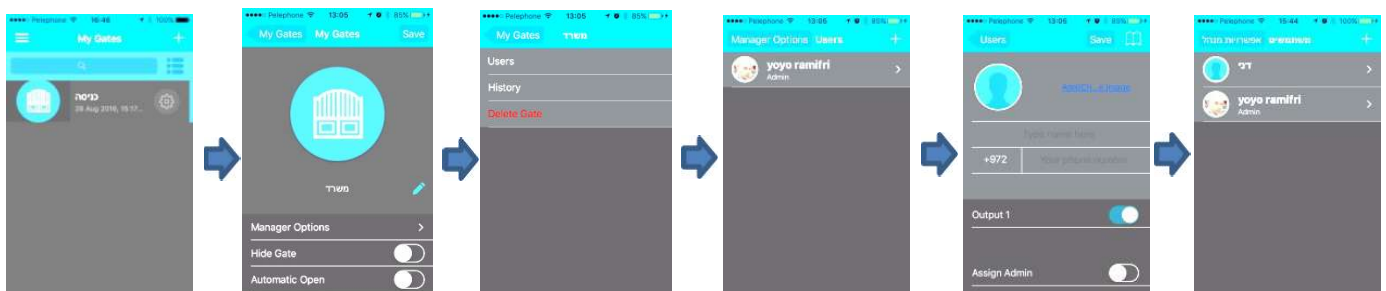
Scan barcode or add manually

Device details -Serial number and code are printed on the device and should be added accordingly

After adding the details (relay 1 and 2) click next

The gate (relay 1 and 2) will appear on my gates screen

## Add User/s:



Click on the Gate Settings button

Click on manager options

Click on users

Click Add )+(

Add name and photo or select from the contact list and save

The user will receive a message that he is being added and will appear in the list

## Important Information:

- **Installation at the gate (inside each metal cabinet) must be installed when connected to an external antenna (an antenna outside the cabinet).**
- Requires stable power supply source preferably DC transformers.
- Avoid installation in metal boxes.
- Protect the unit from humidity and insect infiltration.
- The system works via a cellular network using 4G technology. In addition, the system's performance is dependent on the existence of coverage for a 4G service. Pal Electronics Systems Ltd. is not an end-user to cover the service of the cellular networks. The customer is responsible for ensuring that there is cellular network reception using 4G technology.