

ERA80



EN

ASFERA80 - ASFERA80D - ASFERA80Y - ASFERA80DY

ASFERA80O - ASFERA80OD - ASFERA80OY - ASFERA80OD

INSTRUCTION MANUAL

 PORTACON

CE



WARNING



This instruction manual contains important information regarding safety: read all instructions carefully before proceeding with installation. The Stagnoli company assumes no responsibility for damage due to improper, erroneous and unreasonable use of the product. Keep this manual carefully for future use as well.

DESTINATIONS AND LIMITS OF USE

ERA80 is the traffic light designed and produced by Stagnoli T.G. s.r.l. ERA80 was designed for private use, management of parking lots, alternating one-way streets of condominium areas. ERA80 is NOT a traffic light for public use, roads, highways etc. the Stagnoli company will be relieved of any responsibility in the event of improper use and installation.

IT

TECHNICAL FEATURES

EN

TECHNICAL DATA	40 LED board
Power supply	24 V ac/dc
Nominal current consumption	0,13 A
Power	1,50 W
Brightness**	120 lx (±10lx)
Working temperatures	-20 / +55 °C
IP	66

FR

ES

**The brightness is expressed in Lux [lx], and is relative to the light source

DE

DECLARATION OF CONFORMITY



DECLARES

that the products named:

ASFERA80 - ASFERA80D - ASFERA80Y - ASFERA80DY - ASFERA80O - ASFERA80OD - ASFERA80OY - AFERA80ODY

IN COMPLIANCE

with all the technical standards relating to the product within the field of applicability of the Community Directives

DIRECTIVE 2014/30/UE [EMC: EN 61000-6-3:2007 + A1:2011 + AC:2012
EN IEC 61000-6-2:2019

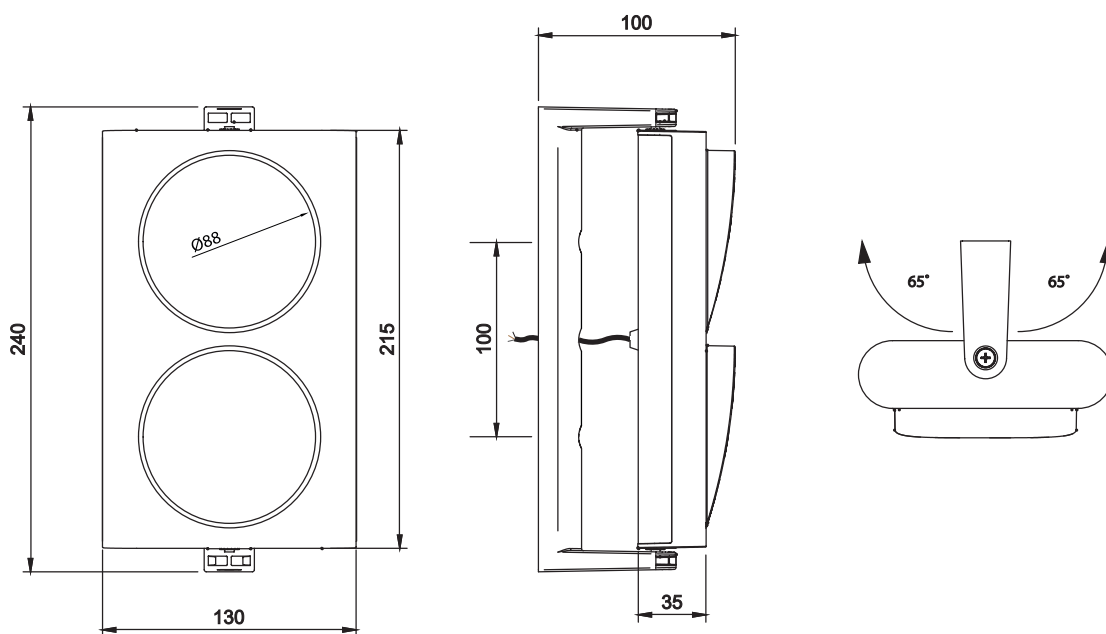
DIRETTIVA 2014/35/UE [IP: EN 60529:1991 + A1:2000 + A2:2013 + AC:2016 + AC:2019

DIRETTIVA 2011/65/UE [RoHS: EN IEC 63000:2018

This declaration is issued under the sole responsibility of the manufacturer and, if applicable, his authorized representative

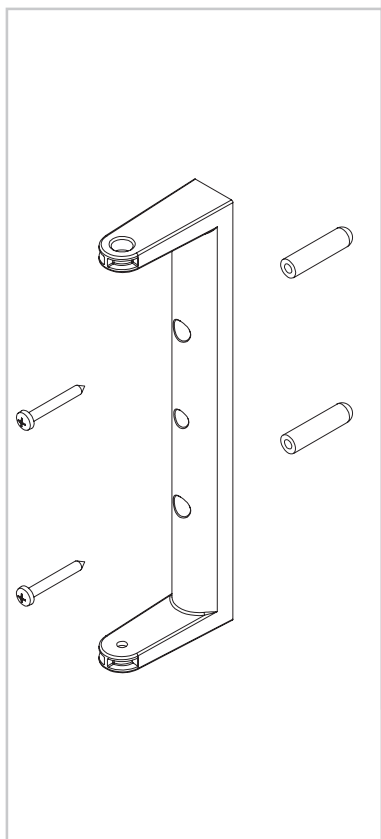
DIMENSIONS FOR WALL FIXING

WITH ADJUSTABLE BRACKET

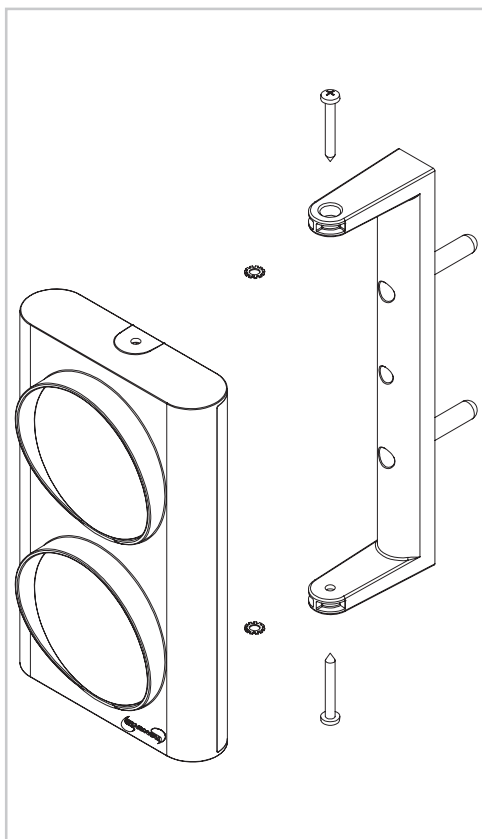


WALL FIXING

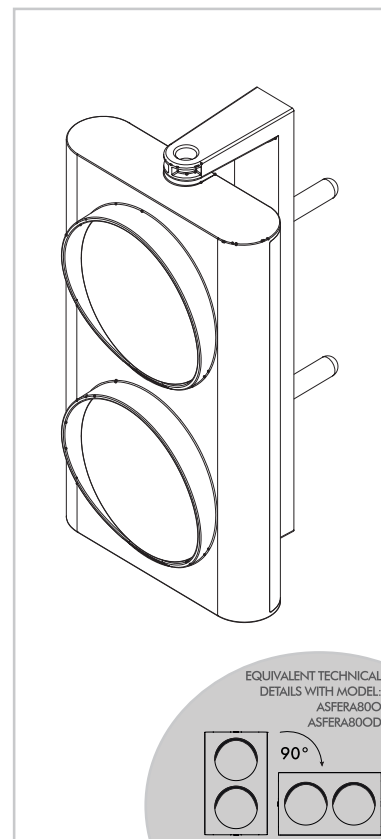
1



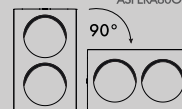
2



3



EQUIVALENT TECHNICAL
DETAILS WITH MODEL:
ASFERA800
ASFERA800D



IT

EN

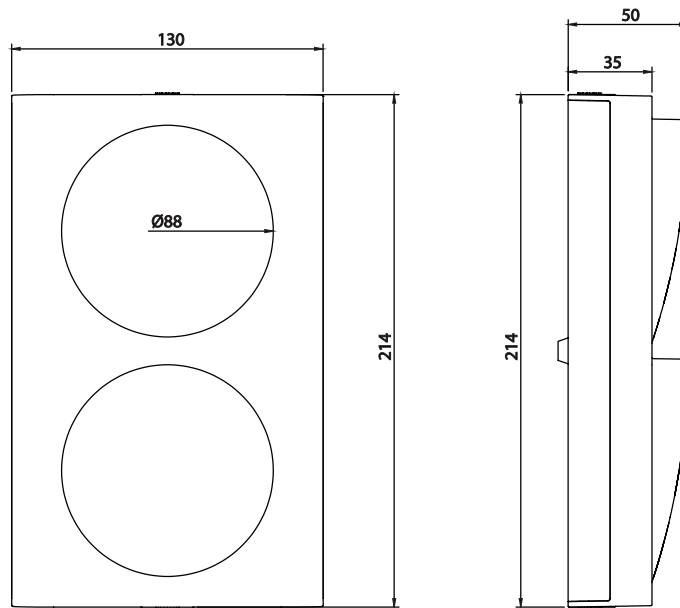
FR

ES

DE

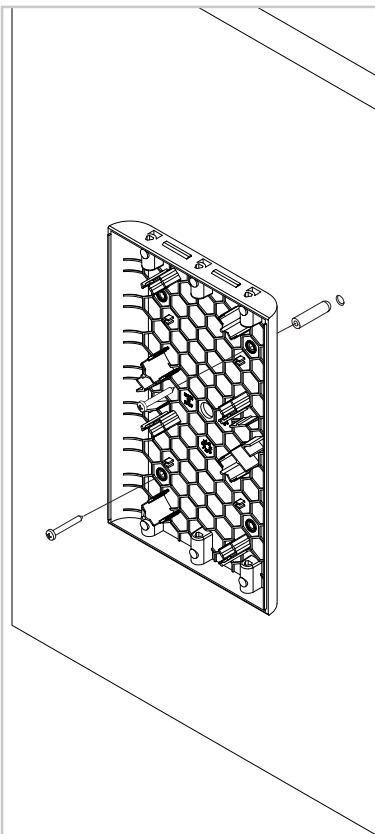
DIMENSIONS FOR WALL FIXING

WITHOUT ADJUSTABLE BRACKET

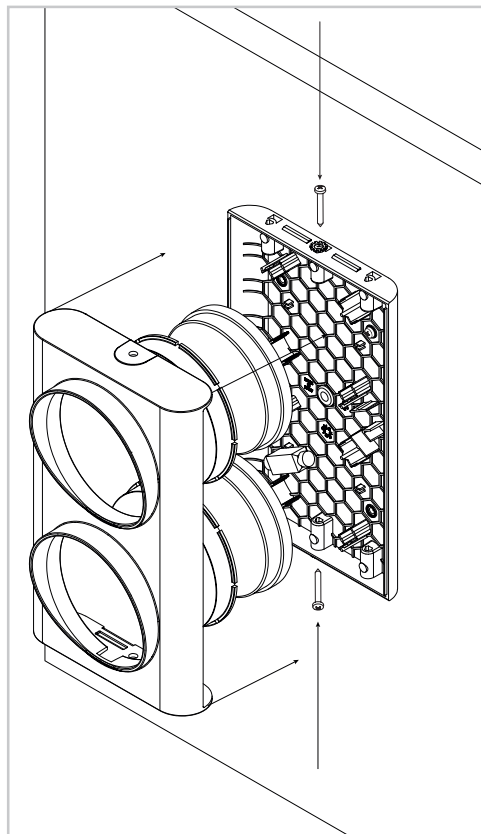


WALL FIXING

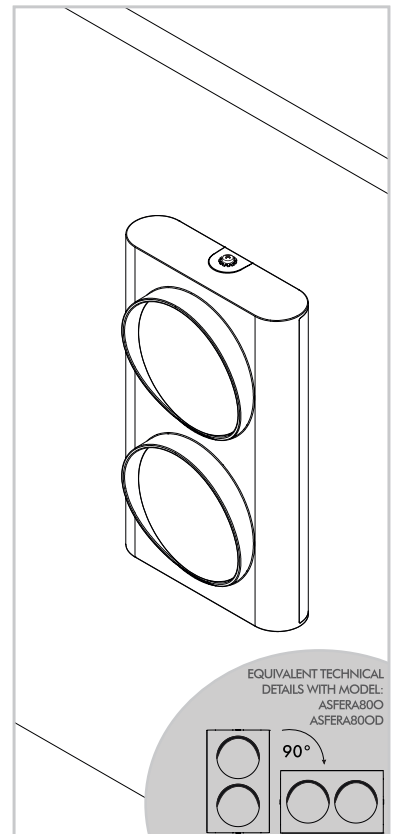
1



2



3

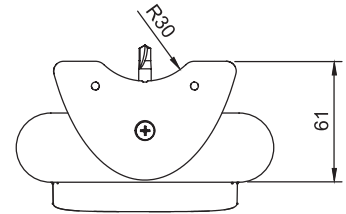
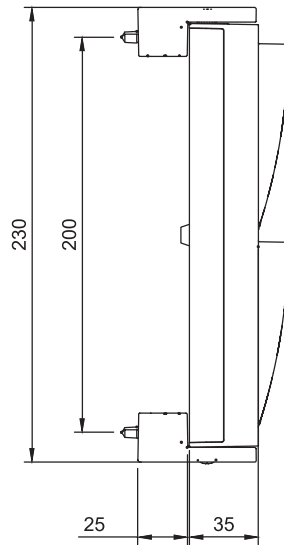
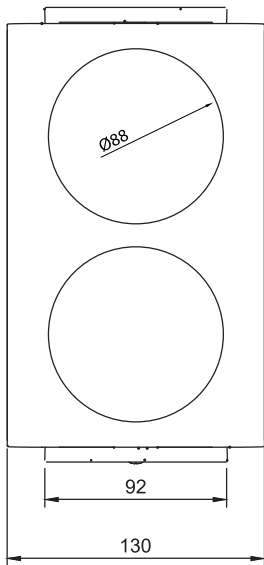


EQUIVALENT TECHNICAL
DETAILS WITH MODEL:
ASFERA800
ASFERA800D



DIMENSIONS AND OVERALL FOOTPRINT FOR INSTALLATION ON POLE

TRAFFIC LIGHT WITH POLE BRACKET



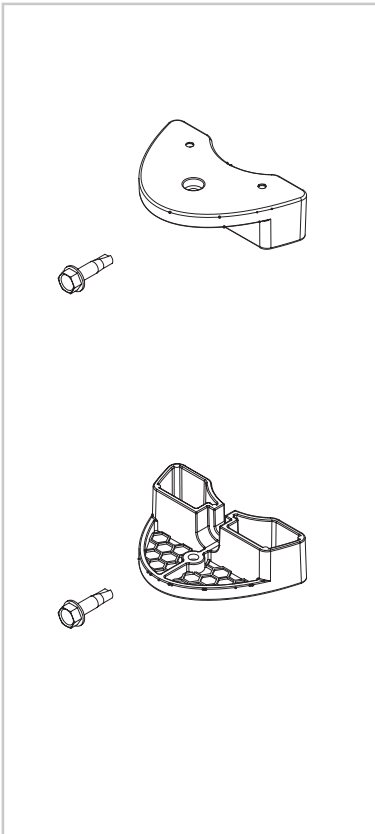
IT

EN

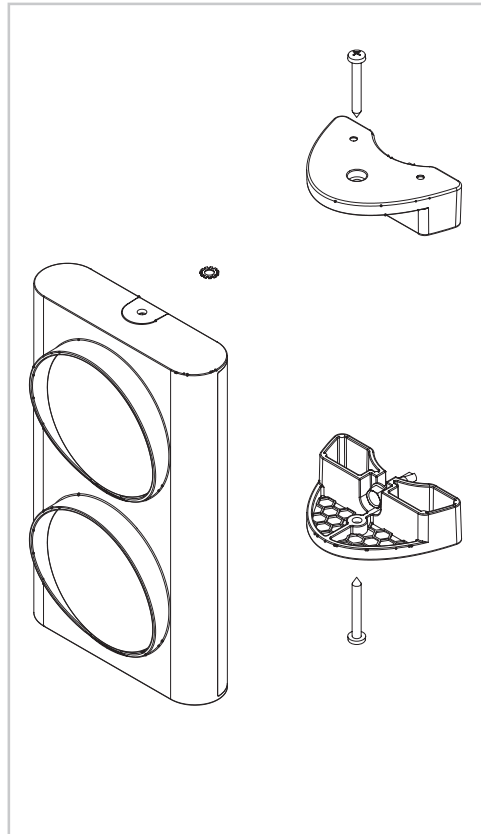
FR

FIXING TO POLE

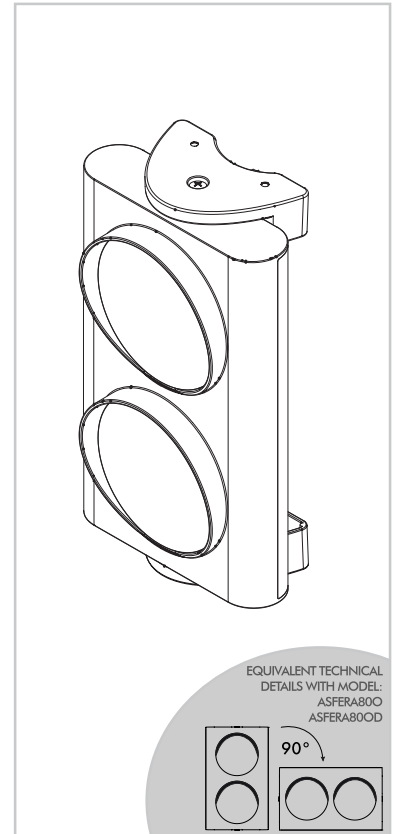
1



2



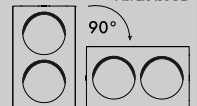
3



ES

DE

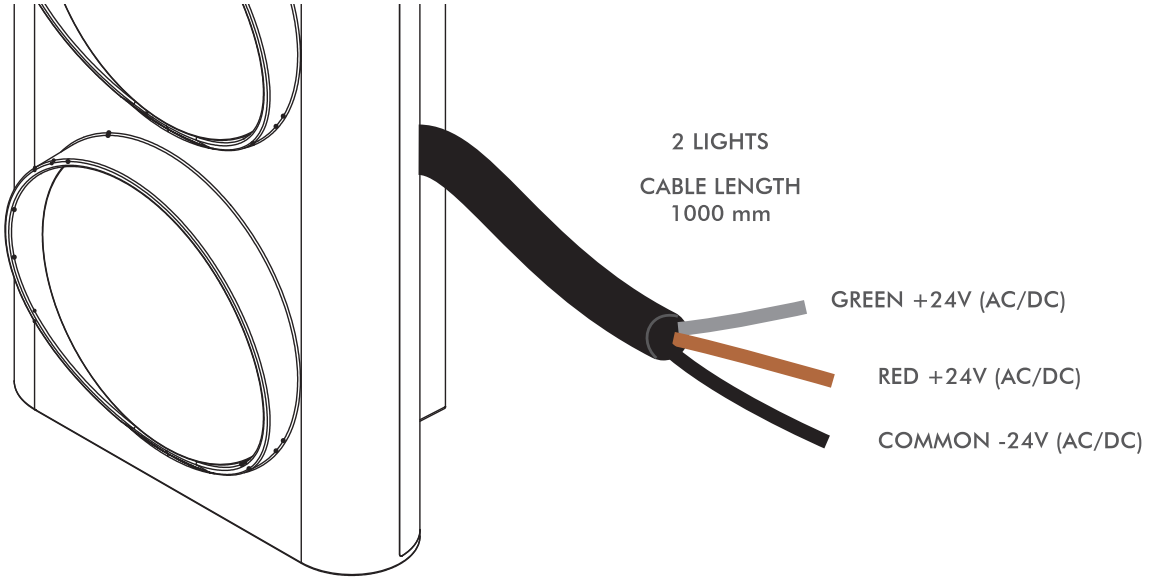
EQUIVALENT TECHNICAL
DETAILS WITH MODEL:
ASFERA800
ASFERA800D



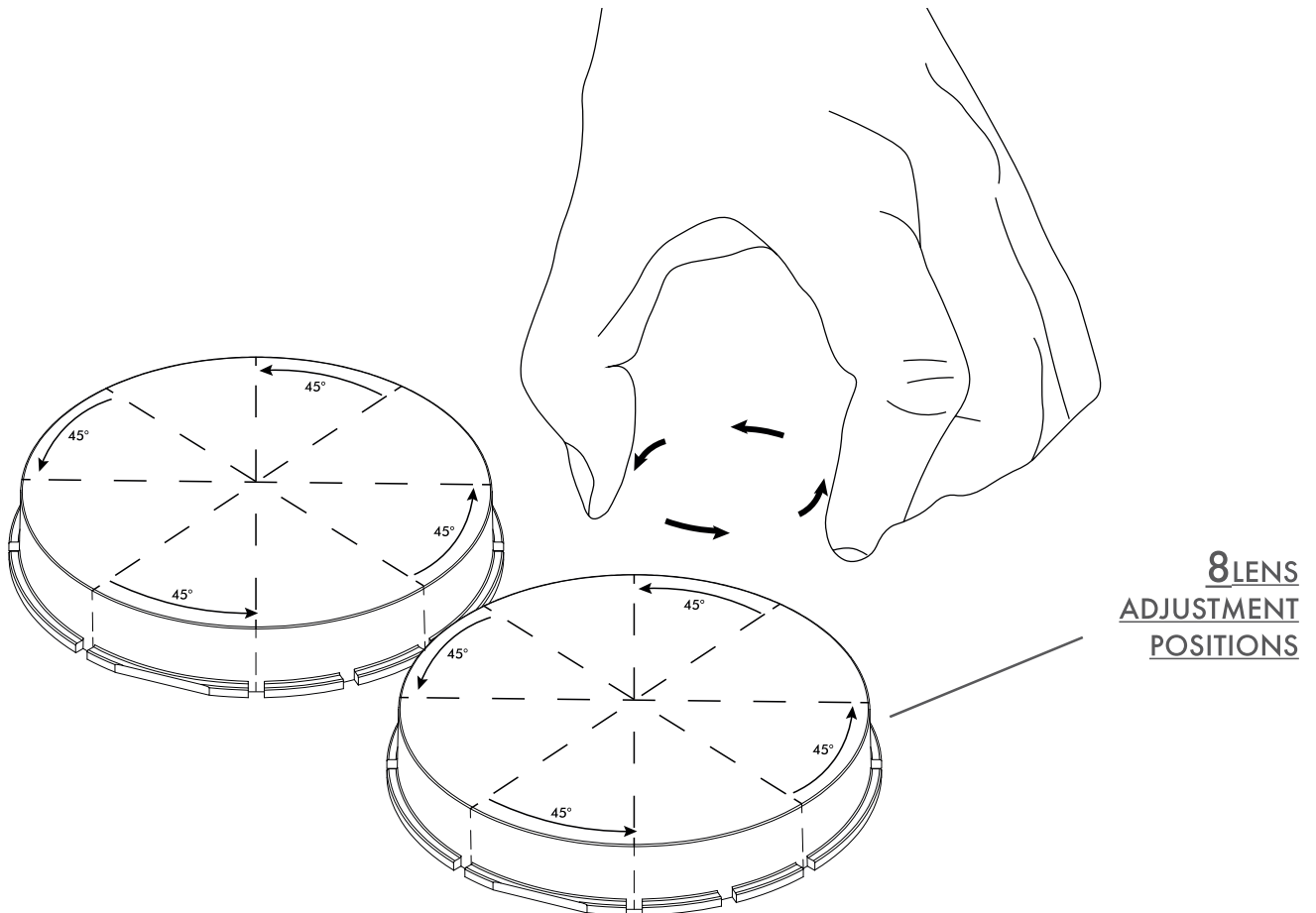
24V LED BOARD WIRING (AC/DC)



Warning! Electrical connections must be made without power supply.



LENS ROTATION





DISPOSAL



The packaging components, cardboard, or plastic can be recycled through separate collection. In the case of disposal of the product on the other hand need to pay much attention to components that may contain pollutants such as circuit boards, remote control batteries etc., which must be recovered or disposed of in special centres or at authorized facilities. In this case it is necessary to refer to the specific regulations in force in the place of disposal.

The crossed-out waste bin symbol on the appliance or on its packaging means that at the end of its useful lifespan, having to be treated separately from household waste, it must be taken to a separate collection centre for electrical and electronic equipment. Otherwise, the user can return it to the retailer at the time of purchase of a new type of equivalent appliance.



The user is responsible for providing the appliance at the end of its life to the appropriate collection facilities. The appropriate separate collection to permit the consequent recycling, treatment and environmentally compatible disposal helps prevent negative impact on the environment and human health and promotes the recycling of the materials making up the product. For MORE detailed information regarding the collection systems available, contact the local waste disposal service or the shop where the purchase was made.

IT

EN

FR



SAFETY



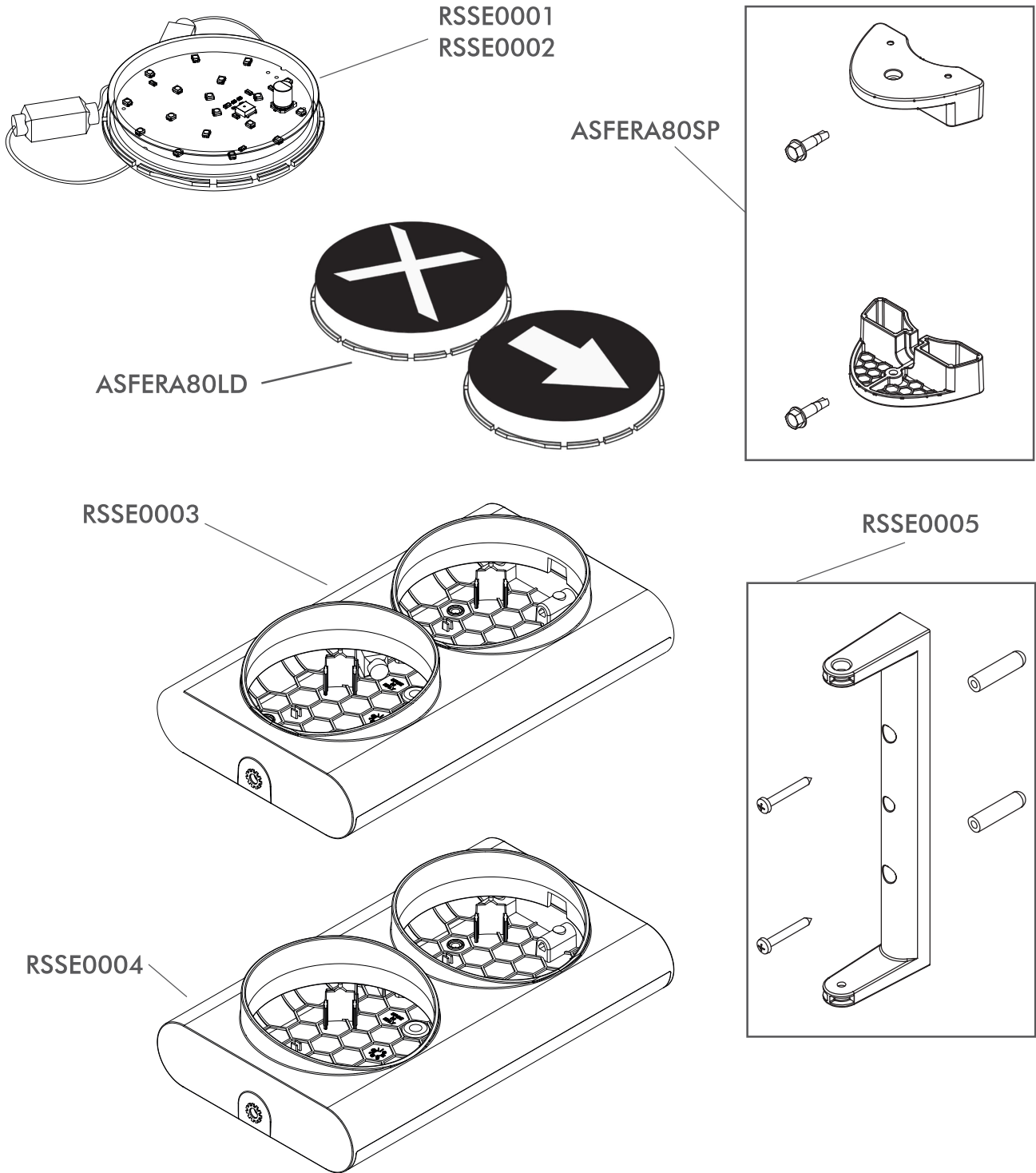
ES

Please read and understand this manual before using the traffic lights of the ERA series for the first time. This manual describes all the traffic lights main functions. The features available are related to the necessary system

- The traffic light can be used outdoors, thanks to its IP56 insulation rating
- Connect the device only to 24V ac/dc sources.
- Switch off all the devices concerned (control unit, system, accessories) before connecting or disconnecting them.
- Do not use the device in an explosive environment.
- Do not use the device near high voltage cables.
- The device or parts of it may overheat during normal operation. Do not touch the device during the operation and let it cool down before changing the printing material and before disassembly.
- Perform only the operations described in this manual. Other operations can only be performed by qualified personnel or service technicians, otherwise they will void the manufacturer's warranty.
- Unauthorised interference with electronic modules or their software may cause faults.
- Other unauthorised operations or modifications to the device may also endanger the safe operation of the device.
- The device has some warning labels to protect the user and, therefore, should not be removed.
- The traffic light is configured for a voltage between 18 and 32 V ac/dc
- Do not place the unit on an unstable surface or support.
- Do not place any object on top of the product.
- Use only the power source indicated on the specifications label.
- Perform only the operations described in this manual. Maintenance on ERA traffic lights must only be carried out by specialised and qualified personnel. **DANGER!** Danger of electrocution **DO NOT** open the ERA traffic light structure. Contact with the power source can cause serious injury or death.

DE

SPARE PARTS



- RSSE0001 Module 18 Led 24V ac/dc Red with red colored lens
- RSSE0002 Module 18 Led 24V ac/dc Green with green colored lens
- RSSE0003 ASFERA 80-V complete body
- RSSE0004 Complete body ASFERA 80-O
- RSSE0005 Single bracket for wall attachment
- ASFERA80SP Brackets for pole fixing
- ASFERA80LD Directional lens kit
- APS Galvanized pole (Ø 60mm)