



230<sup>VAC</sup>

# BILL30M

## LINEAR TELESCOPIC OPERATOR

personalised release key

up to 2.5 m



### CONTROL UNITS:

**BILL30M** — BRAINY HEADY

# BENINCA

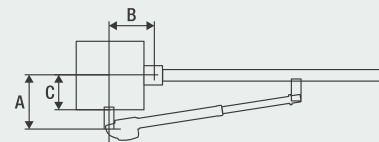
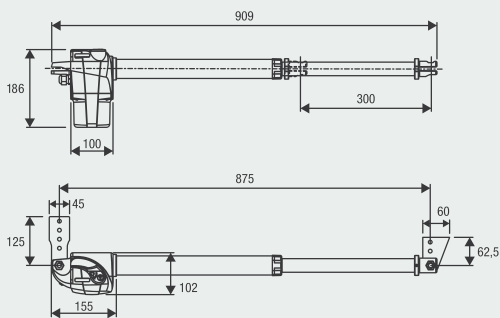
100%  
Made in Italy



## 230 Vac

- Irreversible 230 Vac electromechanical geared motor with easy access release from above
- Neat design and size, particularly suited to forged iron gates
- Easy and quick to install due to compact size and installation geometry
- Worm protected by a scraper ring and stainless steel stem, suitable for use in dusty and sandy environments or where there are aggressive atmospheric agents
- Available in right or left version

www.beninca.com



A (mm)	B (mm)	C (mm)
100-150	100-150	60-100

BENINCA

### COMPLETE KITS

MOTORS	CONTROL UNIT	PHOTOCELLS	FLASHING LIGHT	SELECTOR	TRANSMITTER	
<b>KBILL30M</b>	2x <b>BILL30M</b>	1x <b>HEADY</b>	1x <b>PUPILLA.R</b>	1x <b>LAMPI.LED</b>	1x <b>TOKEY</b>	1x <b>TO.GO2VA</b>

**B.SR**

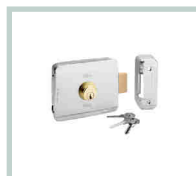
Multiposition brackets for one operator.

**BILL30.CO**

Telescopic stem cover accessory.

**DU.V96**

12 Vac/dc vertical electric lock, supplied with counterplate. Permits internal/external release.

**DU.V90**

12 Vac/dc horizontal electric lock, supplied with counterplate. Permits internal/external release.

**DU.9990**

Covering plate for DU.V90.

**E.LOCK**

230 Vac vertical electric lock, supplied with counterplate.

**E.LOCKSE**

Extended cylinder for E.LOCK electric lock. It allows unlocking gates up to 55mm-thick from the outside.

**ID.TA**

Warning board.

**IRI.TX4VA**

4-channel transmitter with Advanced Rolling Code and Rolling Code.

**IRI.TX4AK**

4-channel transmitter with Advanced Rolling Code and Fixed Code.

**IRI.LAMP**

White full range flashing light, 20-255 VAC with built-in aerial.

**IRI.KPAD**

Battery operated wireless vandal-proof digital keypad with alert buzzer and backlit buttons. Triple coding: Rolling Code, Programmable Code and Advanced Rolling Code. 254 memorisable codes.

**IRI.CELL**

Pair of vandal-proof metal covers for PUPILLA/PUPILLA.R photocells, comprising front and rear shells with concealed screw. They can maintain perfect orientation over 180°.

**PUPILLA**

Pair of photocells adjustable to 180°. Option to synchronise up to 4 pairs, 24 VAC/DC power supply. Easy adjustment through a LED that signals optimal alignment. Compact size: 36x110x35 mm

**AUTOMATISMI BENINCÀ SpA** • Via del Capitello, 45 • 36066 Sandrigo (VI) ITALY • T +39 0444 751030 • sales@beninca.com

TECHNICAL DATA	BILL30M*
Power supply	230 Vac (50-60Hz)
Motor supply	230 Vac
Max absorbed current	1.1 A
Max Thrust	2800 N
Opening time	16"
Duty cycle	30%
Standard stroke	300 mm
Max stroke	320 mm
Protection level	IP54
Operating temperature	-20°C /+50°C
Leaf max dimension	2.5 m
Weight	6.1 kg
Items no. per pallet	62
Kit weight	14.6 kg
Kits no. per pallet	40

\* Available in 115 VAC version