



RANGER

Semiautomatic Bollard



MADE IN ITALY



9343006 **RANGER 500**

9343008 **RANGER 500I**

Ø 200 mm • H500 mm • ✂ 8-9,2 mm



TRAFFIC CONTROL



PUBLIC



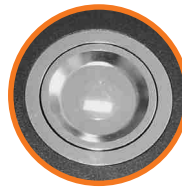
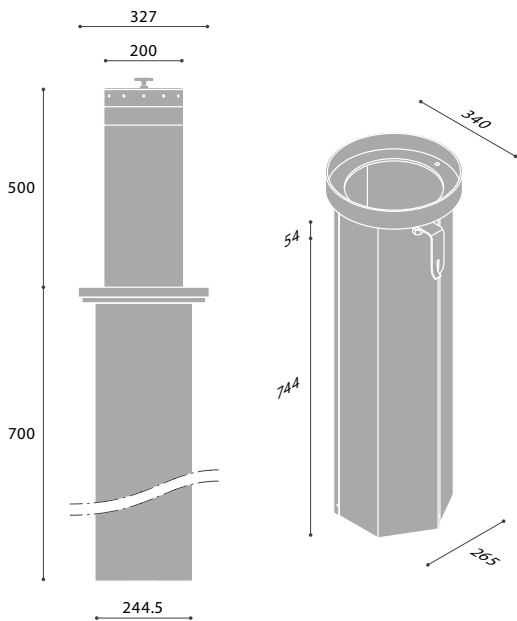
PRIVATE

Semi-automatic bollard with powder coating steel or AISI 316 stainless steel electropolished finish.

FEATURES

- Quick and easy installation thanks to the foundation box that can be assembled on site without welding
- Same design as VIGILANT 500/I, HYDRA, FIX500/I
- Raising by gas spring actuators
- Lowering by pressure

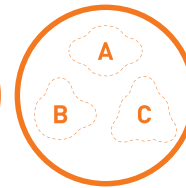
TECHNICAL DRAWING



The embedded un-lock device is equipped with waterproof stainless steel plug



On request it is possible to have the standard triangular insert to allow manual release of the bollard to emergency vehicles (cod. HY.REL)



The un-lock system is available in 3 different shapes (A/B/C)

RANGER

500I

IMPACT RESISTANCE

11.000 J

BREAKOUT RESISTANCE

180.000 J

WEIGHT (without foundation case)

75/81 kg