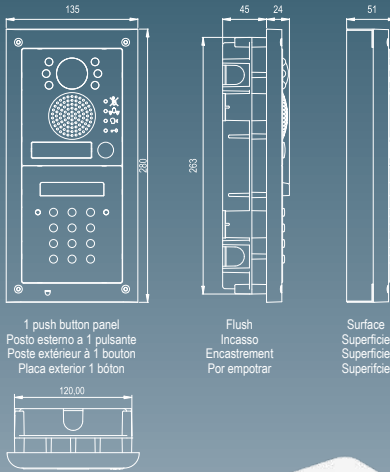


CVK4K-1S/A



1 push button panel
Posto esterno a 1 pulsante
Poste extérior à 1 bouton
Placa exterior 1 botón

Flush
Incasso
Encastrement
Por empotrar

Surface
Superficie
Superficie
Superficie



CVK4K SERIES VIDEOCODE KIT



With the addition of a VIDEX stand-alone digital codelock module Art.4800M added to the large number of features offered by the CVK4K videokit. The user can open the door from the outside by entering an access code through the keypad.

CVK4K-1

One button videokit comprised of:

1 Outdoor station including speaker unit module Art.4833-1/Colour comprising of high quality auto iris lens CCD Day/Night colour camera* with infrared illumination LEDs plus one codelock module Art.4800M (3 codes / 3 relay outputs) and a two module flush mounting box with module support and hinge Art.4852.
Standard finishes: mirror stainless steel for the front plate and gun metal grey for the module support.

1 Art.6256 Surface mount videophone incorporating a 3.5" Hi-Res full colour active matrix LCD monitor specific for "6 wire" videokit (CVK4K, CVR4KV and CVK8K range). It includes 4 buttons: "camera recall", "open door", "service" and "privacy".
2 LED's** indicate the privacy activated and open door. Programmable privacy duration and number of rings. Intercommunicating call and door call.
Adjustments: call tone volume switch (3 levels), picture hue, contrast and brightness.

1 Art.850K Power transformer in a Type A 5 module DIN box.

Packing: cardboard 41x35x10cm Total weight 3.7 Kg.

CVK4K-2

As CVK4K-1 but two button version speaker unit Art.4833-1D/Colour, 2 videophones Art.6256, 2 power transformers and a video distributor Art.316N.
Packing: cardboard 26x29x25cm total weight 5 Kg.

CVK4K-1S, CVK4K-2S

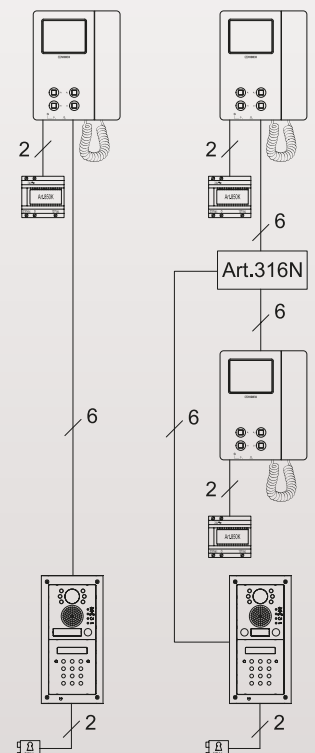
As the flush mount versions but with surface mounting box Art.4882.
Packing: the same as relevant flush models with total weight 4 Kg for one button version and 5.5 Kg for two button version.

The module support frame and the module front plate are available in other finishes, **see pictures 4 and 5 on page 35** for available versions and additional suffix to use for orders.

The above colour kits can be ordered with an alternative model videophone, see page 36 and 37 to check their features, code, photos and dimensions.

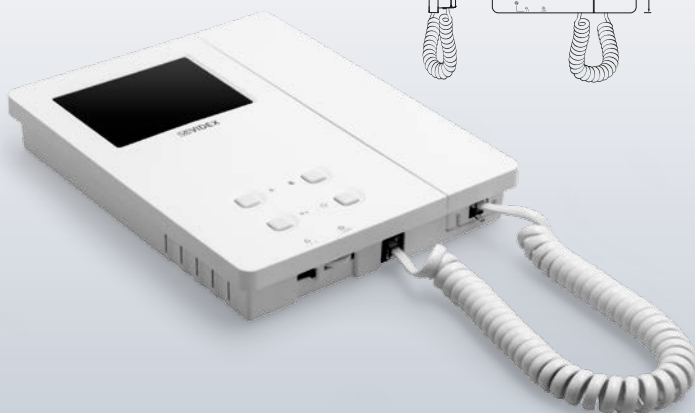
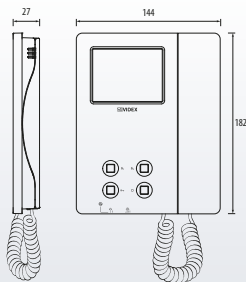
* Available also with Wide Angle camera option.

** Some LED's require additional connections in order to work.



VIDEOPHONES

Art.6286 Art.6256



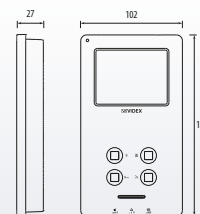
Art.6286 (for CESVK Series videokit)

Surface mount videophone using 3.5" full colour active matrix LCD monitor for VX2300. Including 4 buttons "service", "privacy/bus relay activation", "door-open/intercommunicating call" and "camera recall" plus 3 LED's* for visual indication of all functions. Adjustments & programmable options: call tone volume on 3 levels (low, medium, high), picture hue, brightness and contrast, call tone melody, number of rings, privacy duration and address. Also includes a local bell function.

Art.6256 (for CVK4K, CVR4KV and CVK8K Series videokit)

Surface mount videophone incorporating a 3.5" Hi-Res full colour active matrix LCD monitor specific for "6 wire" videokit (CVK4K, CVR4KV and CVK8K range). It includes 4 buttons: "camera recall", "open door", "service" and "privacy". 2 LED's* indicate the privacy activated and open door. Programmable privacy duration and number of rings. Intercommunicating call and door call. Adjustments: call tone volume switch (3 levels), picture hue, contrast and brightness.

Art.6388 Art.6356



Art.6388 (for CESVK Series videokit)

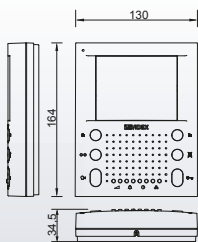
Surface mount hands free intelligent Videophone using 3.5" full colour active matrix LCD monitor for VX2300.

Including 4 buttons "service", "privacy/bus relay activation", "door-open/intercommunicating call" and "camera recall" plus 3 LED's* for visual indication of all functions. Adjustments & programmable options: call tone volume on 3 levels (low, medium, high), picture hue, brightness and contrast, call tone melody, number of rings, privacy duration and address. Also includes a local bell function.

Art.6356 (for CVK4K, CVR4KV and CVK8K Series videokit)

Surface mount hands free videophone incorporating a 3.5" Hi-Res full colour active matrix LCD monitor specific for "6 wire" videokit (CVK4K, CVR4KV and CVK8K range). It includes 4 buttons: "camera recall", "open door", "service" and "privacy". 2 LED's* indicate the privacy activated and open door. Programmable privacy duration and number of rings. Intercommunicating call and door call. Adjustments: call tone volume switch (3 levels), picture hue, contrast and brightness.

Art.SL5488 Art.SL5456



Art.SL5488 (for CESVK Series videokit)

Colour hands free video monitor with 3.5" LCD TFT monitor, "door open/intercommunication", "answer/camera recall", "privacy on/off" push buttons, "button to activate the relays for additional services" and 2 service buttons. The videophones have also 4 LEDs which indicates the buttons functioning.

Art.SL5456 (for CVK4K, CVR4KV and CVK8K Series videokit)

Colour hands free video monitor with 3.5" LCD TFT monitor, "door open/intercommunication", "answer/camera recall", "privacy on/off" and 3 service buttons, plus 4 LEDs indicating the functioning of the push buttons.

Programmable melody, number of rings and privacy duration.

Controls: melody volume, speech volume, picture brightness and hue.

Interface to connect a parallel "4+1" standard intercom. Add "ECLIPSE" to the standard code to order the kit with this monitor.

*Some LED's require additional connections in order to work.

Please, contact our Export Department in order to know the price difference due to the videophone models.

To order videokits with old 3000 Series videophones Art.3356, Art.3381, Art.3456, Art.3481 (available until end of stock), please put a specific note in your order.