

RISE®



Smart
Moving



SPARTACUS

AUTOMATIC HYDRAULIC BOLLARD 230 VAC



Made in Italy



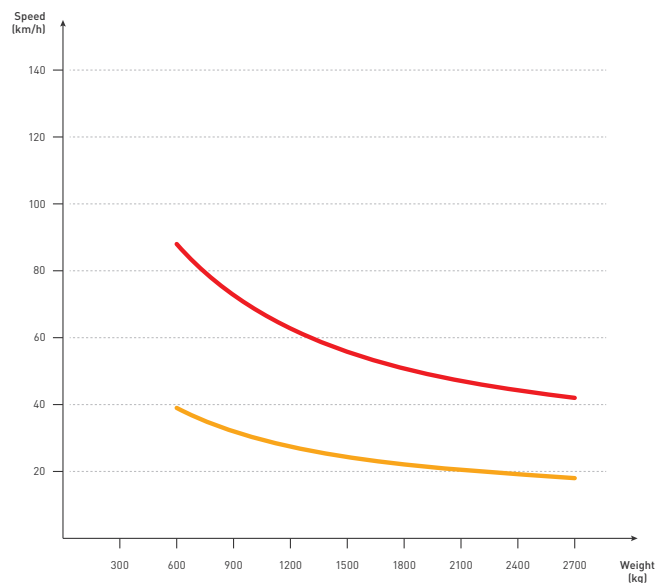
SPARTACUS 200

Ø 200 mm | H 600-800 mm | Thickness 6 mm



- Automatic hydraulic bollard 230 vac, 600 or 800 mm height, with cylinder thickness 6 mm
- Cathaphoresis treatment and “Graphite Black” painting or cover in brushed AISI316 stainless steel
- Cylinder with built-in LED lights, the control unit can manage 2 bollards at the same time
- Foundation box complying with the EN124 (25T) regulation and independent hydraulic pump for each bollard, laterally positioned in order to avoid any damage in the event of an impact and facilitate the maintenance
- In the event of a power failure, the bollard will remain in the raised position (manual release)
- Heating for the foundation box, buzzer and pressure switch for obstacle detection available as accessories

SPARTACUS 200

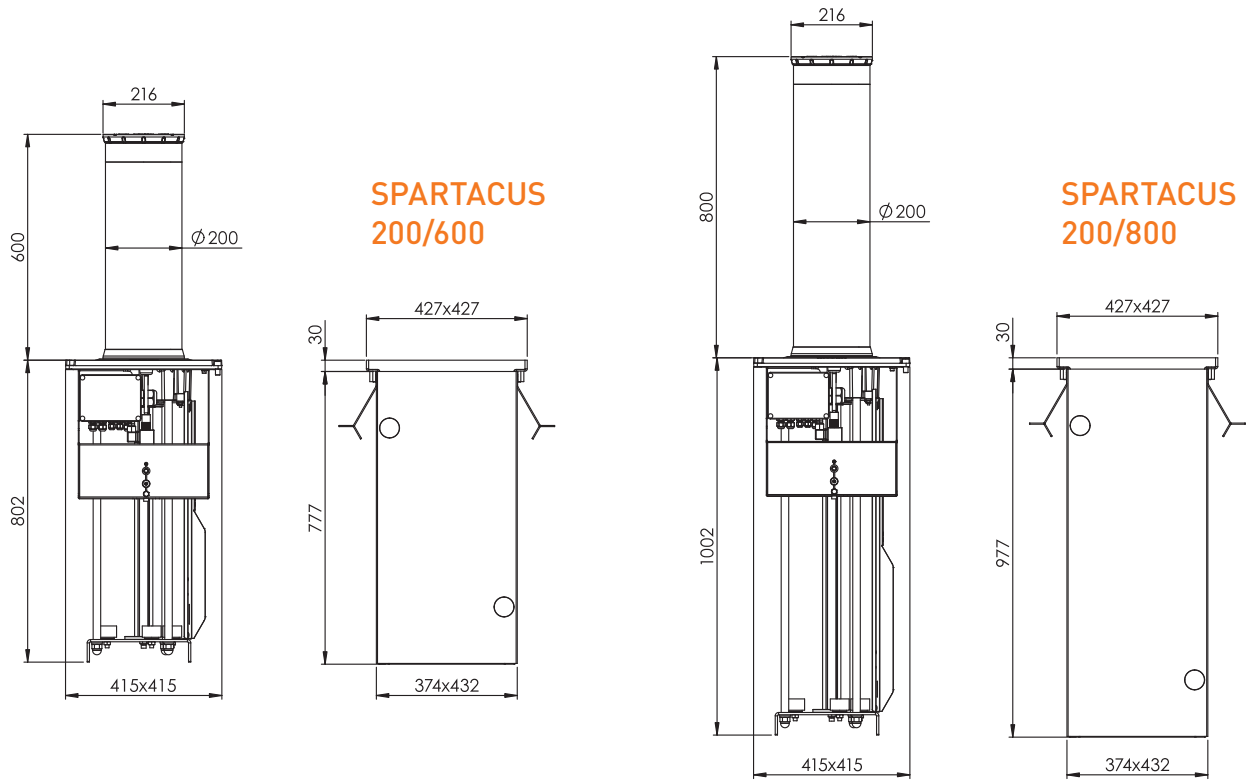


— Impact resistance: 35.000 J

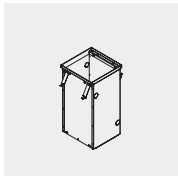
— Breakout resistance: 180.000 J

SPARTACUS 200

Ø 200 mm | H 600-800 mm | Thickness 6 mm

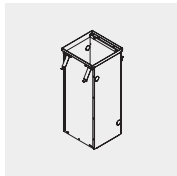


ACCESSORIES:



CA200/600

Foundation box for SPARTACUS 200 h 600 mm.



CA200/800

Foundation box for SPARTACUS 200 h 800 mm.



CP.BL

Board for buzzer and LED management.



GL.BUZZ

Buzzer.



GL.CABLE

Cable FG16 16x1.5 for hydraulic bollard.



GL.HEAT

Heater for hydraulic bollard, active below 10°C.



GL.PRES

Pressure switch for obstacle detection.

TECHNICAL DATA	200/600	200/800	200/600 - I	200/800 - I
Cylinder height	600 mm	800 mm	600 mm	800 mm
Cylinder diameter	200 mm			
Cylinder thickness	6 mm			
Cylinder material	Steel S355JR		AISI316 stainless steel	
Raising time	3 s	4 s	3 s	4 s
Lowering time	3 s	4 s	3 s	4 s
Power supply	230 Vac - 50/60 Hz (control panel with different voltages available on request)			
Power consumption	500W			
Hydraulic pump	Built-in			
Load index (EN124)	D250 (25 tonnes)			
Manual lowering cycle in case of power failure	Manual release			
Automatic lowering cycle in case of power failure	Optional			
Obstacle detection during the rising cycle	Optional (GL.PRES)			
Capacitor	25 µF			
Daily cycles	3.500			
MCBF	3.000.000			
Impact resistance	35.000 J			
Breakout resistance	180.000 J			
Operating temperature	-40°C ÷ +60°C [GL.HEAT available as option for temperatures lower than -10°]			
Protection level	IP67			
Weight (without foundation box)	70kg	78kg	74kg	83kg



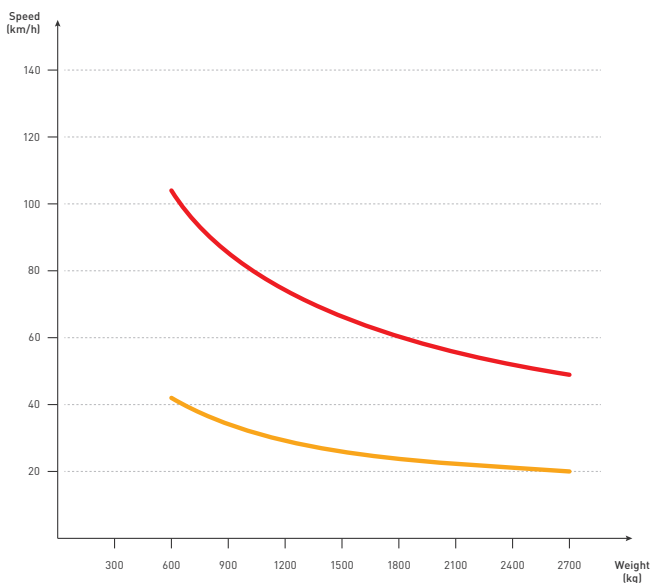
SPARTACUS 275

Ø 275 mm | H 600-800 mm | Thickness 6-10 mm



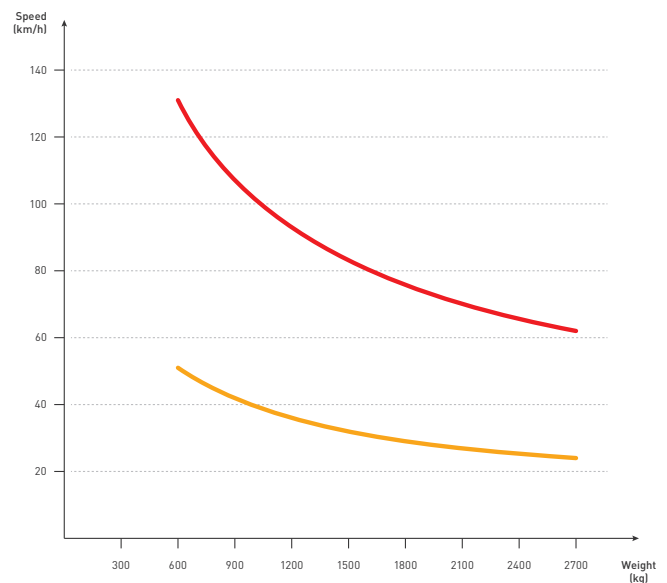
- Automatic hydraulic bollard 230 vac, 600 or 800 mm height, with cylinder thickness 6 or 10 mm
- Cathaphoresis treatment and “Graphite Black” painting or cover in brushed AISI316 stainless steel
- Cylinder with built-in LED lights, the control unit can manage 2 bollards at the same time
- Foundation box complying with the EN124 (40T) regulation and independent hydraulic pump for each bollard, laterally positioned in order to avoid any damage in the event of an impact and facilitate the maintenance
- In the event of a power failure, the bollard will remain in the raised position (manual release)
- Heating for the foundation box, buzzer and pressure switch for obstacle detection available as accessories

SPARTACUS 275



— Impact resistance: 40.000 J
— Breakout resistance: 250.000 J

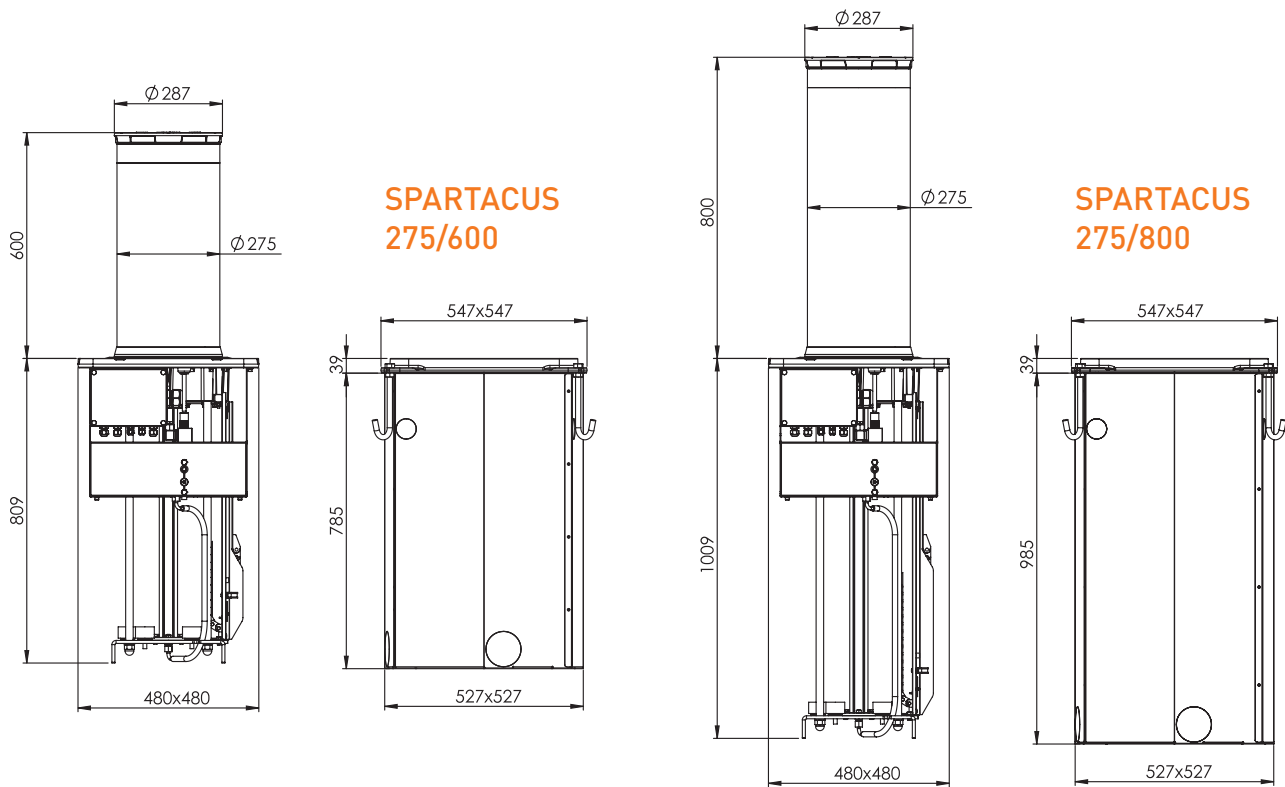
SPARTACUS 275 R



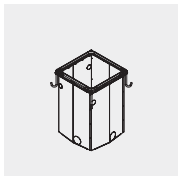
— Impact resistance: 60.000 J
— Breakout resistance: 400.000 J

SPARTACUS 275

Ø 275 mm | H 600-800 mm | Thickness 6-10 mm

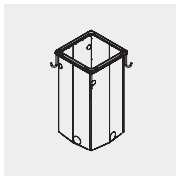


ACCESSORIES:



CA275/600

Foundation box for SPARTACUS 275 h 600 mm.



CA275/800

Foundation box for SPARTACUS 275 h 800 mm.



CP.BL

Board for buzzer and LED management.



GL.BUZZ

Buzzer.



GL.CABLE

Cable FG16 16x1.5 for hydraulic bollard.



GL.HEAT

Heater for hydraulic bollard, active below 10°C.



GL.PRES

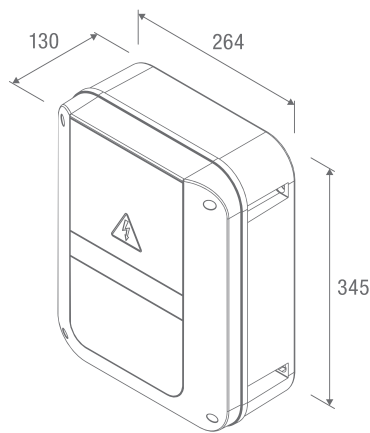
Pressure switch for obstacle detection.

TECHNICAL DATA	275/600	275/800	275/600 - I	275/800 - I	275/600 - R	275/800 - R	275/600 - RI	275/800 - RI
Cylinder height	600 mm	800 mm	600 mm	800 mm	600 mm	800 mm	600 mm	800 mm
Cylinder diameter	275 mm							
Cylinder thickness	6 mm				10 mm			
Cylinder material	Steel S355JR		AISI316 stainless steel		Steel S355JR		AISI316 stainless steel	
Raising time	3 s	4 s	3 s	4 s	3 s	4 s	3 s	4 s
Lowering time	3 s	4 s	3 s	4 s	3 s	4 s	3 s	4 s
Power supply	230 Vac - 50/60 Hz (control panel with different voltages available on request)							
Power consumption	550W							
Hydraulic pump	Built-in							
Load index (EN124)	D400 (40 tonnes)							
Manual lowering cycle in case of power failure	Manual release							
Automatic lowering cycle in case of power failure	Optional							
Obstacle detection during the rising cycle	Optional (GL.PRES)							
Capacitor	25 µF							
Daily cycles	3.500							
MCBF	3.000.000							
Impact resistance	40.000 J				60.000 J			
Breakout resistance	250.000 J				400.000 J			
Operating temperature	-40°C ÷ +60°C [GL.HEAT available as option for temperatures lower than -10°]							
Protection level	IP67							
Weight (without foundation box)	94 kg	105 kg	99 kg	112 kg	109 kg	124 kg	114 kg	131 kg

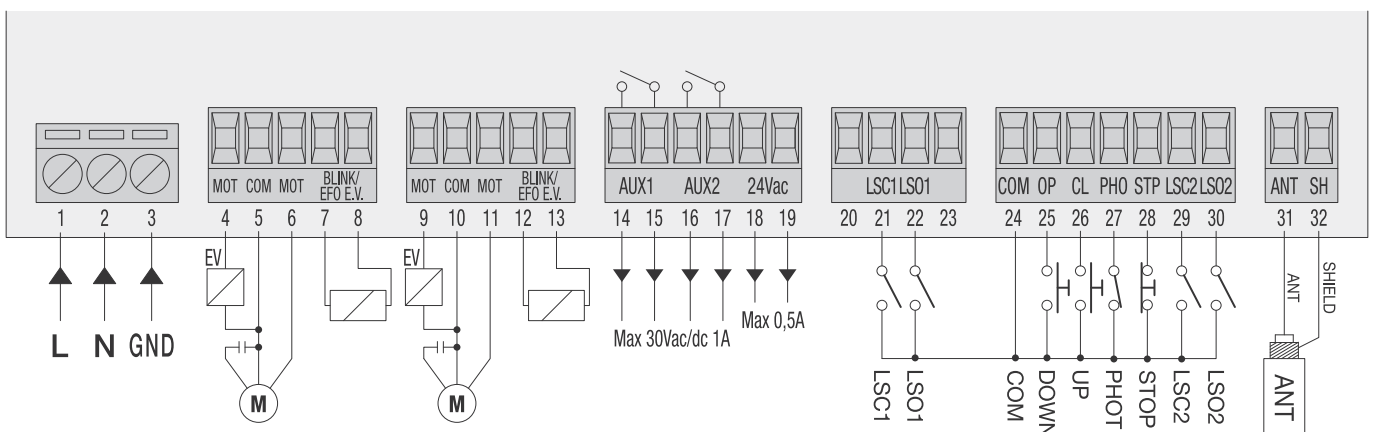


MAX.CP

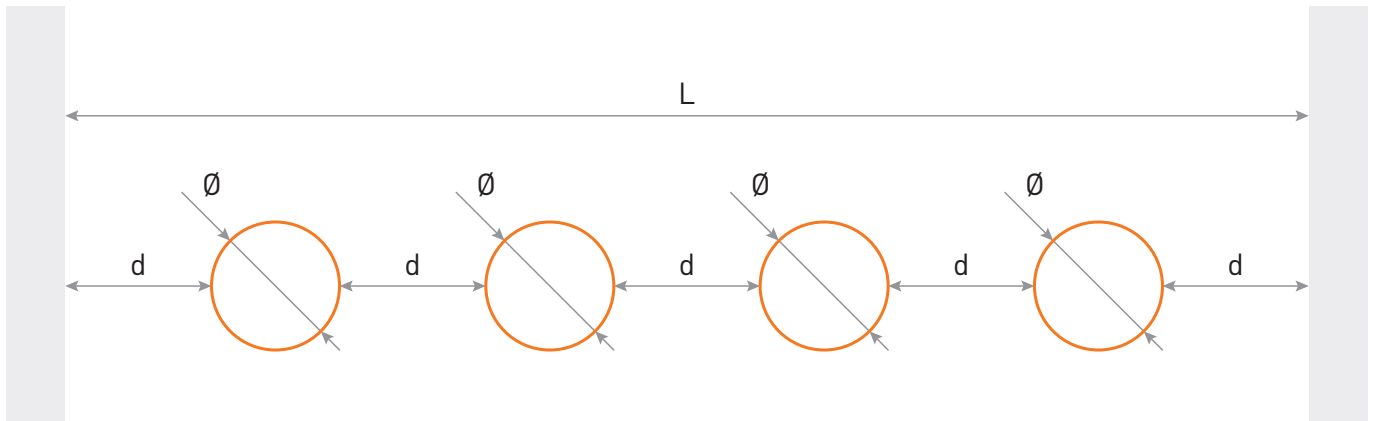
Control panel for 2 hydraulic bollards



- 230 Vac 50/60 Hz power supply
- Control panel for 1 or 2 hydraulic bollards SPARTACUS
- Integrated 433.92 MHz 64-code receiver with 3 encoding systems (Advanced Rolling Code, Rolling Code, Fixed Code)
- Removable terminal boards
- Parameter and operation logic regulations through integrated LCD display
- Automatic, semi-automatic and deadman's logic
- Programming access password
- Equipped with step-by-step command inputs separate for each bollard and centralised command inputs ALL UP and ALL DOWN for the raising and the lowering of both bollards
- **Version with built-in board to manage buzzer/LED lights available (MAX.CP BL)**
- Separate limit switch inputs for each motor
- Control inputs for loop detectors and protection devices (GL.PRES)
- 2 outputs configurable as bollard status indicator or command of the optional board CP.BL
- Designed for the connection of the optional board CP.BL to manage signal lights and the warning buzzer GL.BUZZ
- Protection level IP54



CALCULATION OF THE BOLLARD NUMBER PER PASSAGE:



$$N = \frac{L - d_{\text{recommended}}}{\text{Ø} + d_{\text{recommended}}}$$

L (mm) = width of the passage for the vehicles access

N = number of necessary bollards

Ø (mm) = bollards diameter

$$d = \frac{L - (\text{Ø} \cdot N)}{N + 1}$$

d (mm) = distance between bollards

$d_{\text{recommended}}$ (mm) = recommended distance between bollards (1.200 mm)





RISE Srl

Sede legale:

Via del Capitello, 45
36066 Sandrigo (VI) ITALIA

Sede operativa:

Via della Tecnica, 10
36010 Velo d'Astico (VI) ITALIA

T +39 0444 751401

C.F. / P.IVA (IT) 03482500240

info@riseweb.it
www.riseweb.it

