

XRF-TW

Part No. 407690

DATASHEET

Transmitter to wireless transmission system of ExpertSystem

Transmitter with integrated wicket door switch and magnet part

Mechanical data

Dimensions (transmitter)	58 x 66 x 16 mm
Dimensions (magnet)	17 x 66 x 16 mm
Material (housing)	ABS light grey
Weight	50gr (transmitter with magnet)

Electrical data

Supply voltage	Lithium battery 3 V (CR2450N)
Battery life	Typ. 1.7 years (type RENATA)
Input	Magnetic field
Available codes	65'536
Push button	for pairing
LED	red

In combination with an XRF receiver

Range	60m at optimum conditions
Reaction time	Typ. 15 ms
Communication	Bidirectional
Operating frequency	868.3 MHz
Radiated power	< 10 dbm / 10 mW
Low battery indication	Acoustic and optical (on the receiver)

Approvals

EN 300 220, EN 301 489
EN ISO 13849-1 (PLd, Cat.3, MTTFd 674)

Ambient conditions

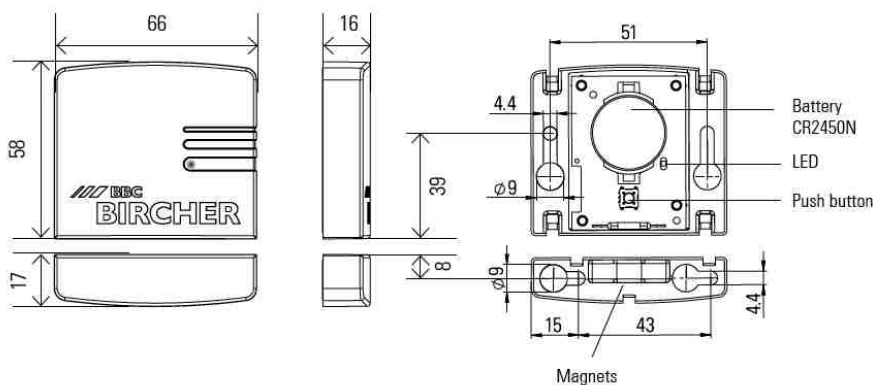
Protection category	IP65
Operating temperature	-20°C to +60°C
Storage temperature	-40°C to +80°C
Rel. air humidity	< 95%, non-condensing



Box contents

Transmitter, magnet, 1 battery CR2450N, instruction manuals (supplementary sheets, in DE, EN, FR, IT, NL, SV) and mounting material

Dimensions



00007450C 35/20 Subject to change without notice