

SPT 2945 5

Thru Beam

Standard, Photoelectric Sensors

Compatible Receivers:

SPR 2945 5, SPR 2945T 5



Product Data	
Function:	Transmitter
Supply Voltage:	12 - 240 V ac/dc
Light Source:	Infrared (880 nm)
Housing Material:	Plastic
Housing:	17 x 50 x 50
Control Feature:	-
Connection:	5 m cable
Sensing Range:	45 m
Timer:	-
Output:	-
Output Status:	-
Operation Mode:	Thru Beam

Technical Data	
Supply Voltage:	12-240 V dc / 20-240 V ac
Voltage Ripple:	+/- 15 %
Reverse Polarity Protected:	-
Short Circuit Protected:	-
Current Consumption:	< 70 mA
Max. Operation Frequency:	-
Power On Indicator:	Green LED
Output Indicator:	-
Hysteresis:	-
Light Source:	Infrared (880 nm)
Opening Angle:	-
Emission Angle:	+/- 2°
Cable:	2 x 0,20 mm2
Output, Relay:	-

Response Time ton / toff:	-
Housing Material Sensor Housing:	Polycarbonate / ABS
Housing Material Lens Cover:	Polycarbonate
Cable Sleeve:	PVC Ø 4,9 mm
Test Input:	Yes
Signal Status Indicator:	-
Delay Time ton / toff:	-

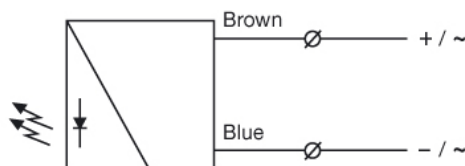
Environmental Data

Vibration:	10 – 55 Hz, 0.5 mm
Shock:	30 g
Operation Temperature:	-20 to +55 °C
Storage Temperature:	-40 to +80 °C
Sealing Class:	IP 67
Light Immunity 5°:	-
Light Immunity 15°:	-

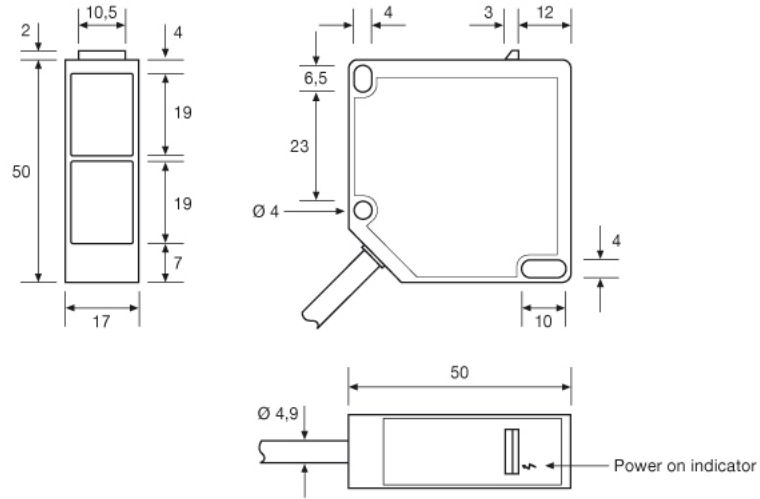
Approvals



Wiring Diagram

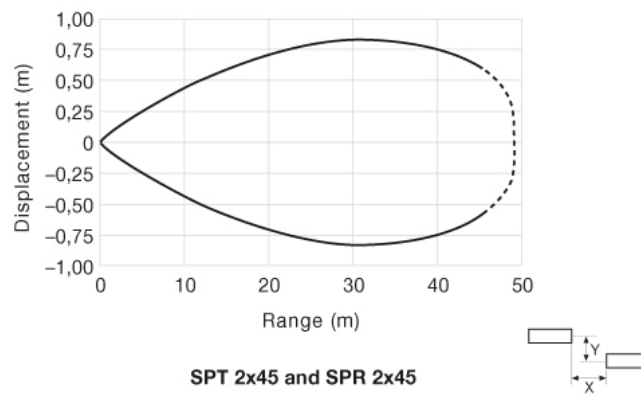


Dimensions

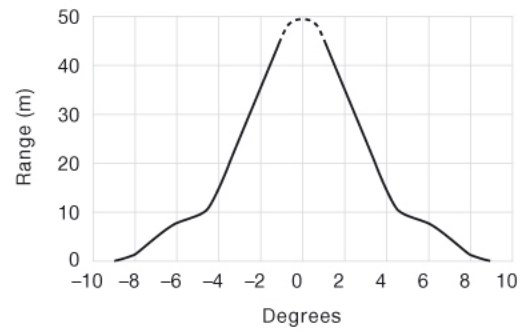


Sensing Characteristics

Parallel Displacement



Angular Displacement



SPT

