

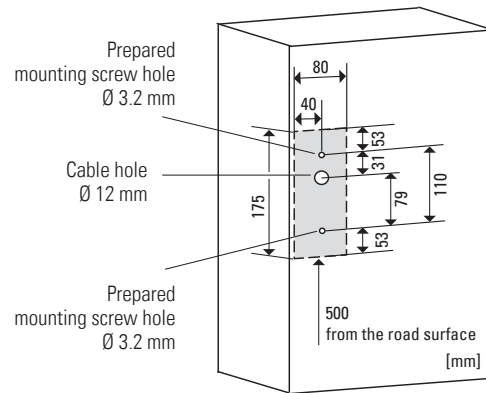
# Bracket ProAccess

## Mounting bracket

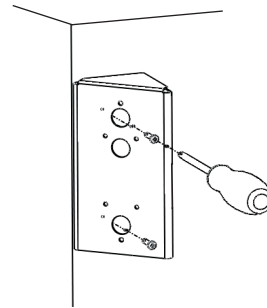
### Assembly instructions

#### 45 degree setting

##### 1 Positioning template

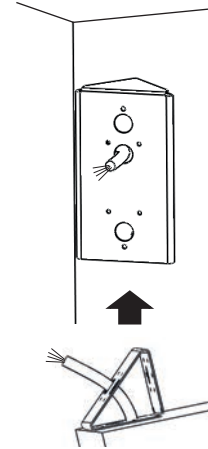


##### 2 Attach bracket with mounting screws

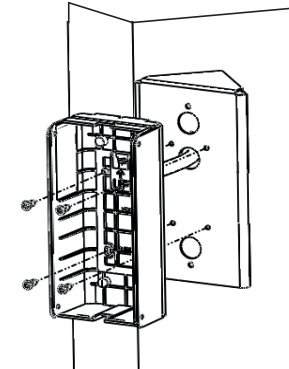


Bracket mounting screws  
(included in this kit)

##### 3 Route cable

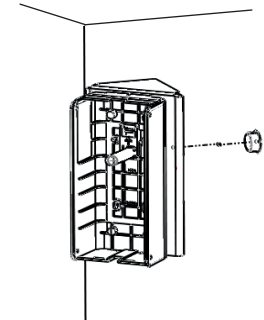


##### 4 Attach sensor



Sensor mounting screws  
(included in sensor box)

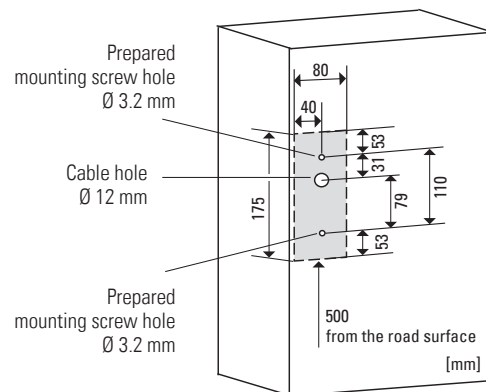
##### 5 Insert hole cap



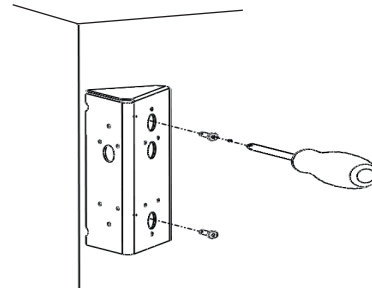
Hole cap  
(included in this kit)

#### 90 degree setting

##### 1 Positioning template

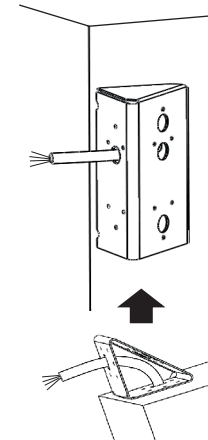


##### 2 Attach bracket with mounting screws

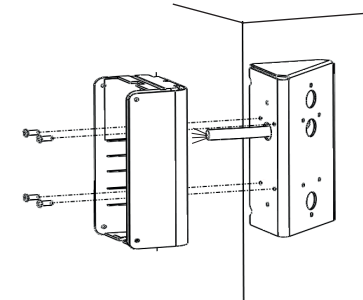


Bracket mounting screws  
(included in this kit)

##### 3 Route cable

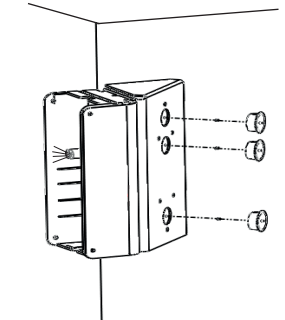


##### 4 Attach sensor



Sensor mounting screws  
(included in sensor box)

##### 5 Insert hole caps



Hole caps x 3 pieces  
(included in this kit)